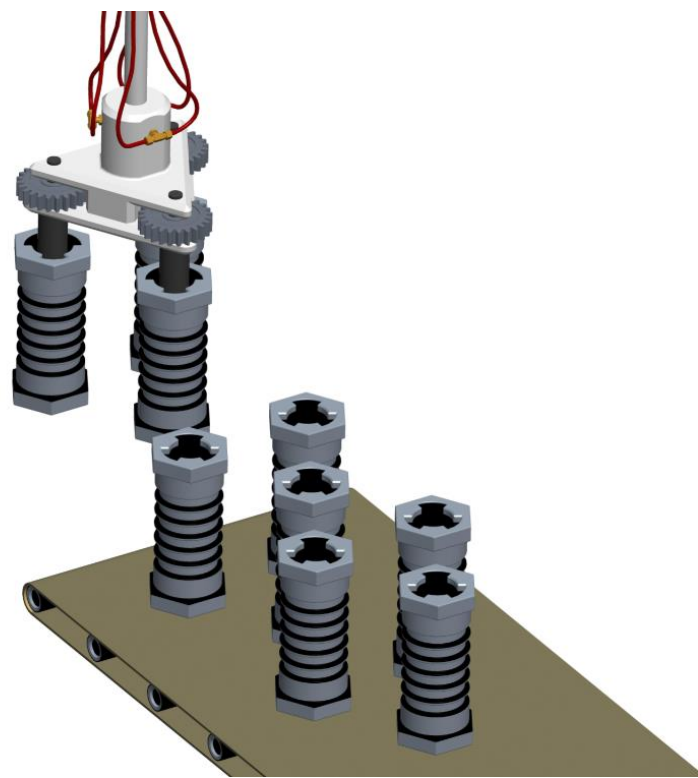




## **PRECISION DESIGN SOLUTIONS, LLC** **MECHANICAL ENGINEERING DESIGN SERVICES**

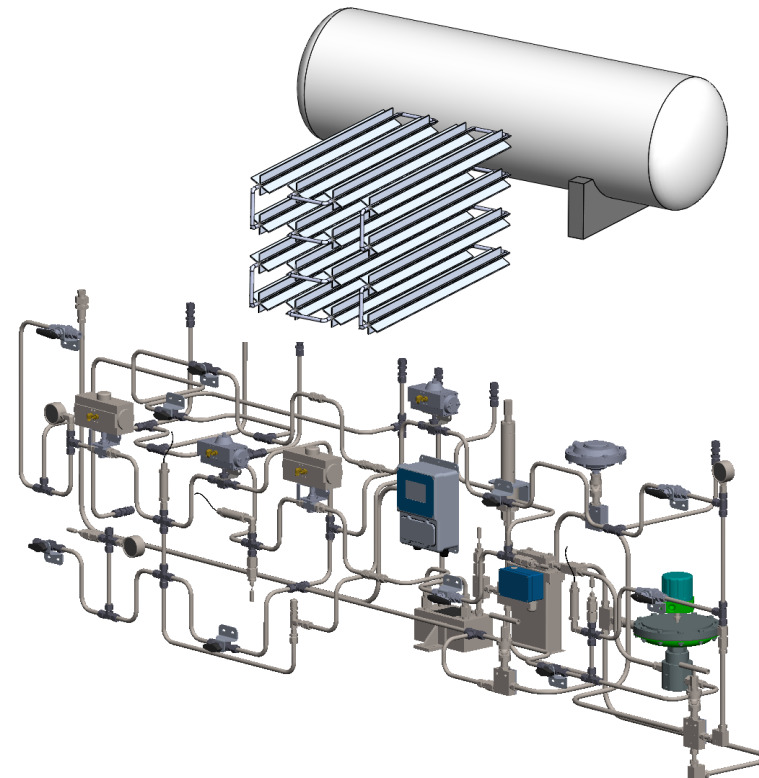
Precision Design Solutions, LLC (PDS) is a mechanical engineering services company in Upstate New York serving the design and manufacturing industry both locally and nationwide. Experienced in custom mechanical devices, tooling, equipment, and mechanical systems, PDS uses a rigorous design process and state-of-the-art engineering tools to achieve specific, creative, application driven designs.

### *Mechanical Equipment & Devices*



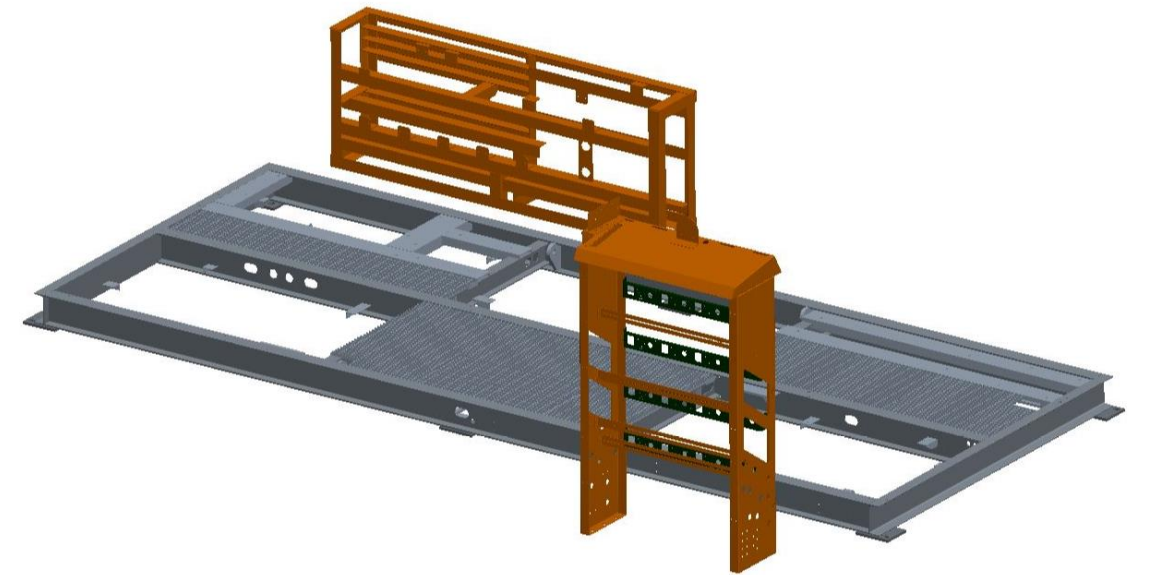
- Mechanical Equipment
- Mechanical Devices
- Custom Tooling
- Prototypes

### *Gas & Liquid Systems*



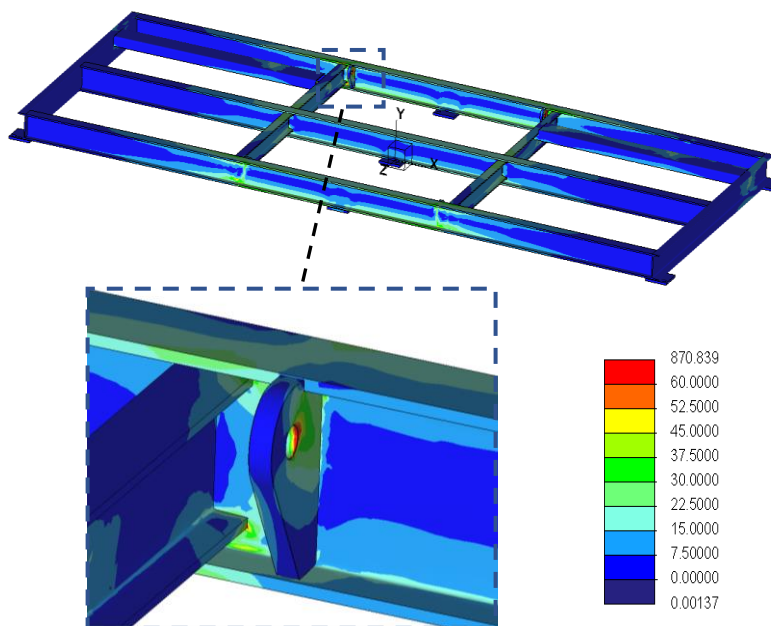
- High Pressure Systems
- Rigid or Flexible Systems
- Gases, Hydraulics, Pneumatics
  - Hydrogen, Nitrogen, etc.
  - Water, Hydraulic Fluids, Air, etc.

### *Structural Frames & Platforms*



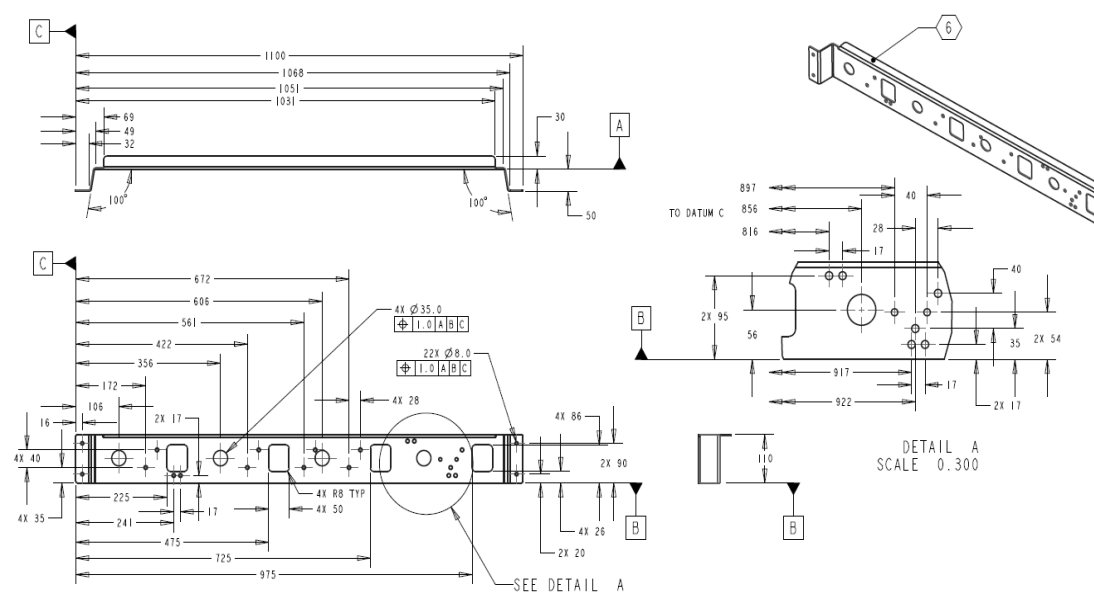
- Structural Equipment Frames
- Structural Equipment Platforms
- Lifting Devices
- Support Structures

### *Structural Analysis*



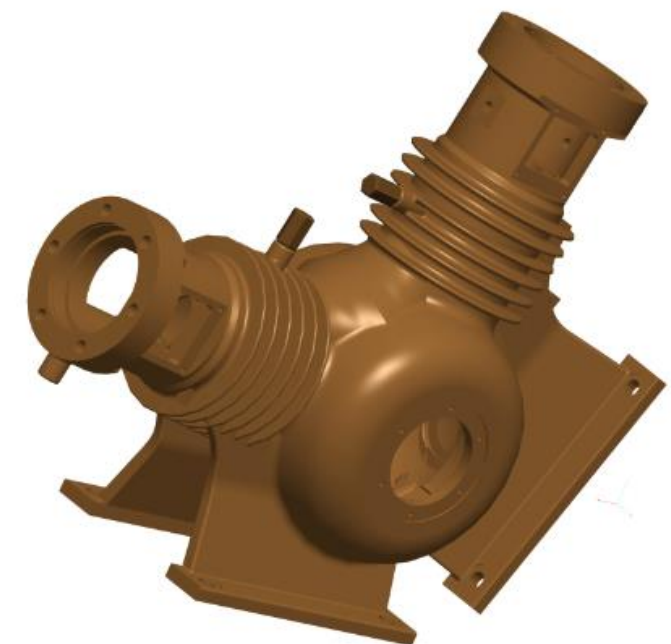
- Finite Element Analysis (FEA)
- Structural Calculations
- Engineering Reports
- Optimization Studies

### *Detailed Manufacturing Drawings*



- Manufacturing Drawings
- Assembly Drawings
- Tolerance & Alignment Studies
- ASME Y14.5 & ISO Compliant

### *3D Modeling*



- 3D Modeling
- Promotional Images
- 2D Drawing to 3D Model Conversion
- Creo, Solidworks, Inventor

## *Your Next Design Starts Here*

#### **Custom Mechanical Design & Analysis**

- Specific, Creative, Application Driven Design
- Structural Analysis – Finite Element Analysis (FEA)
- State-Of-The-Art 3D Computer Aided Design (CAD)
- Detail Oriented Approach to Form, Fit, & Function
- Detailed Production/Manufacturing Drawings

#### **Product Development**

- New Product Development
- Prototype Development
- Existing Product Modifications
- Feasibility Studies
- Detailed Engineering Reports
- Optimization

#### **Engineering Consultation**

Precision Design Solutions offers a wide range of engineering support in the mechanical design process, product planning and development, and project management. Large or small, PDS can help steer your project in the right direction.