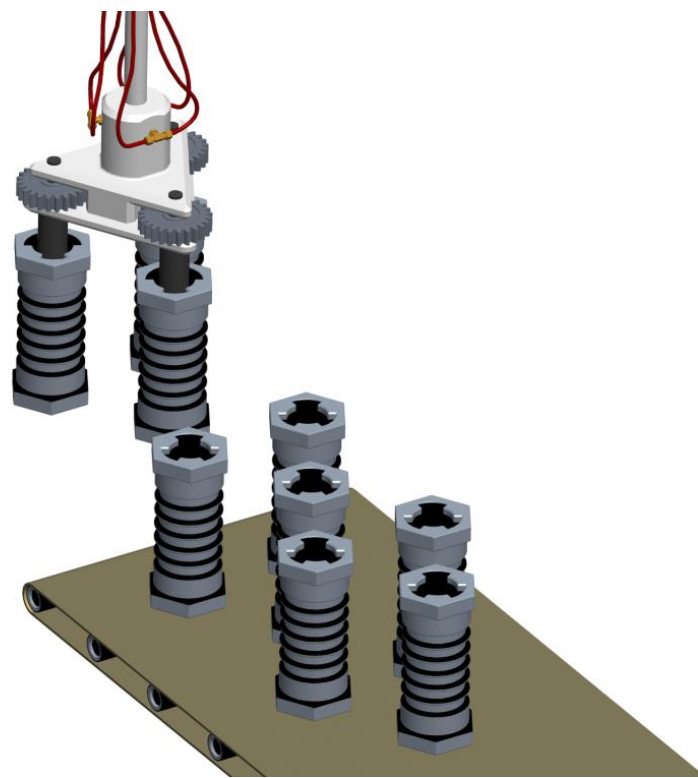




## MECHANICAL ENGINEERING SUPPORT FOR YOUR BUSINESS, LARGE OR SMALL

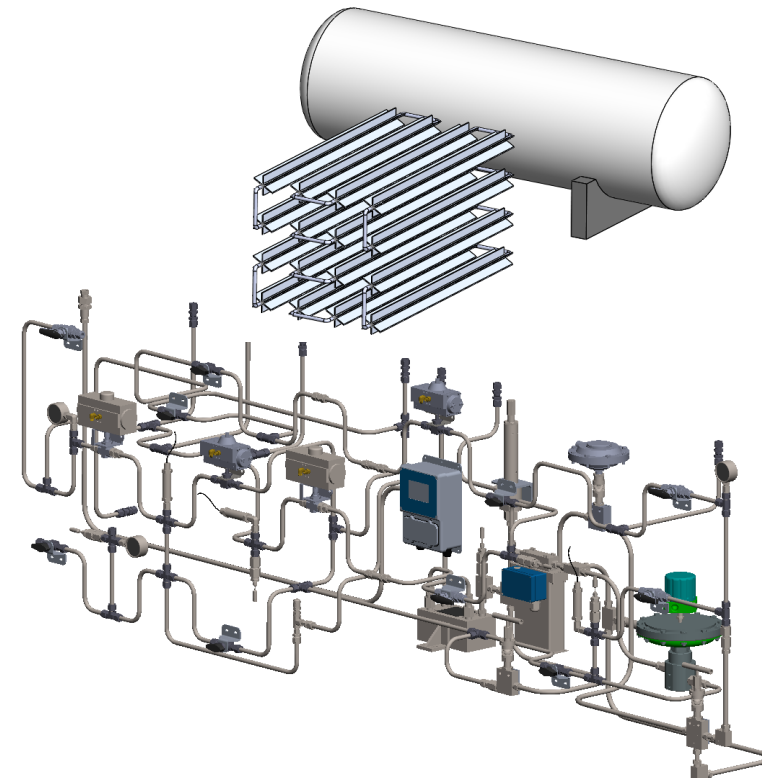
- BRING SPECIALIZED EXPERTISE TO YOUR DESIGN PROJECT
- AUGMENT YOUR IN-HOUSE STAFF AS NEEDED
- ACCESS ON-DEMAND PRODUCT AND DEVELOPMENT SUPPORT

### MECHANICAL EQUIPMENT & DEVICES



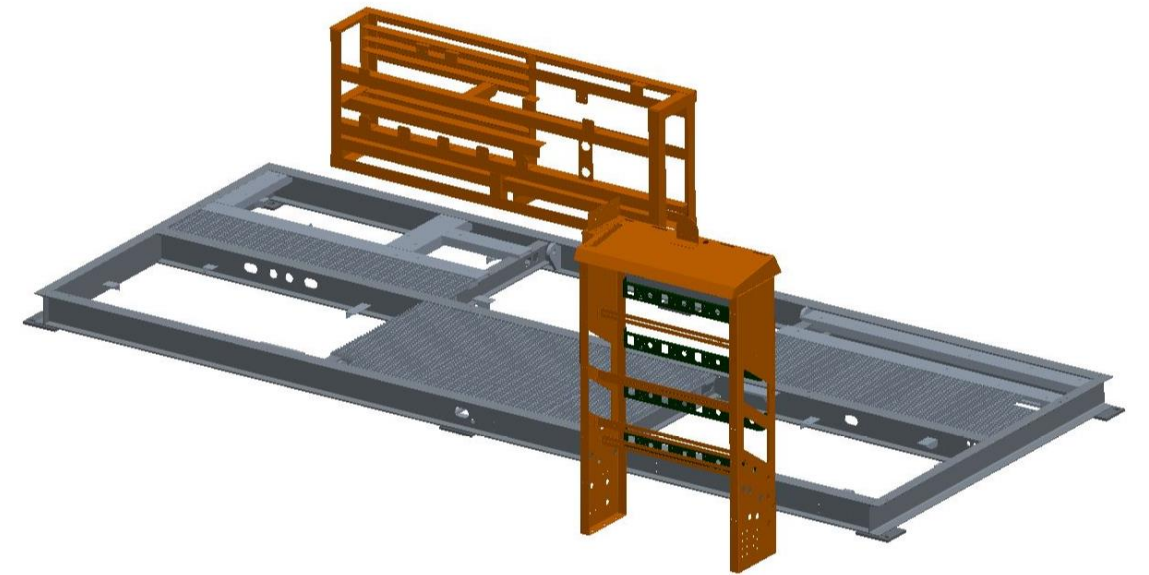
- Mechanical Equipment
- Mechanical Devices
- Custom Tooling
- Prototypes

### GAS & LIQUID SYSTEMS



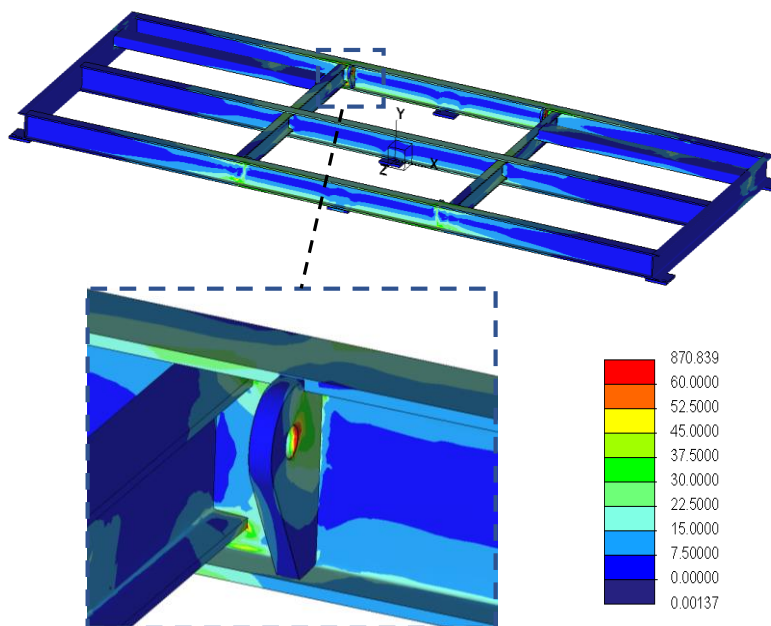
- High Pressure Systems
- Rigid or Flexible Systems
- Gases, Hydraulics, Pneumatics
  - Hydrogen, Nitrogen, etc.
  - Water, Hydraulic Fluids, Air, etc.

### STRUCTURAL FRAMES & PLATFORMS



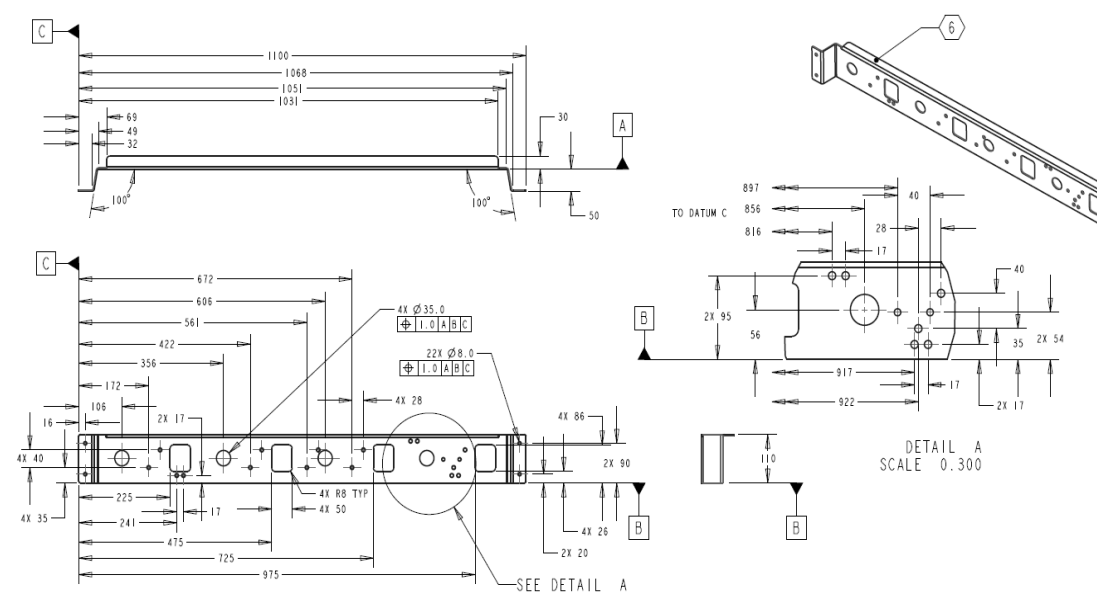
- Structural Equipment Frames
- Structural Equipment Platforms
- Lifting Devices
- Support Structures

### STRUCTURAL ANALYSIS



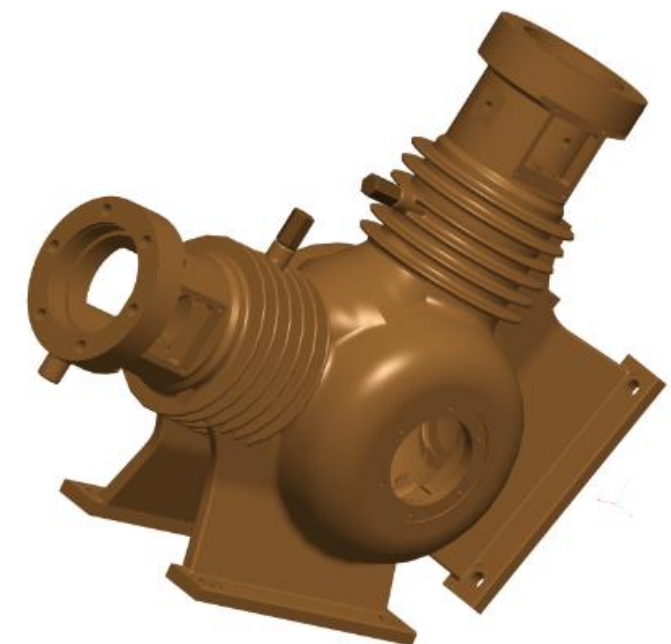
- Finite Element Analysis (FEA)
- Structural Calculations
- Engineering Reports
- Optimization Studies

### DETAILED MANUFACTURING DRAWINGS



- Manufacturing Drawings
- Assembly Drawings
- Tolerance & Alignment Studies
- ASME Y14.5 & ISO Compliant

### 3D MODELING



- 3D Modeling
- Promotional Images
- 2D Drawing to 3D Model Conversion
- Creo, Solidworks, Inventor

## YOUR NEXT DESIGN STARTS HERE

### CUSTOM MECHANICAL DESIGN & ANALYSIS

- Specific, Creative, Application Driven Design
- Structural Analysis – Finite Element Analysis (FEA)
- State-Of-The-Art 3D Computer Aided Design (CAD)
- Detail Oriented Approach to Form, Fit, & Function
- Detailed Production/Manufacturing Drawings

### PRODUCT DEVELOPMENT & OPTIMIZATION

- New Product Development
- Prototype Development
- Existing Product Modifications
- Feasibility Studies
- Detailed Engineering Reports

### ENGINEERING CONSULTATION

Precision Design Solutions offers a wide range of engineering support in the mechanical design process, product planning and development, and project management. Large or small, PDS can help steer your project in the right direction.





**PRECISION DESIGN SOLUTIONS, LLC** (PDS) is a mechanical engineering services company in Upstate New York serving the design and manufacturing industry both locally and nationwide. Specializing in custom mechanical devices, tooling, equipment, and mechanical systems, PDS uses a rigorous design process and state-of-the-art engineering tools to achieve specific, creative, application driven designs.

## MECHANICAL DESIGN ENGINEER

- **MECHANICAL DESIGN**
- **STRUCTURAL ANALYSIS**
- **PRODUCT DEVELOPMENT**
- **PROJECT MANAGEMENT**

*HIGHLY MOTIVATED, PERFORMANCE DRIVEN MECHANICAL ENGINEERING PROFESSIONAL WITH OVER 28 YEARS OF DESIGN AND MANUFACTURING EXPERIENCE.*

## JAY REIDENBAUGH



### EXPERIENCE PROFILE:

---

PRECISION DESIGN SOLUTIONS — 3 YEARS  
US NAVAL NUCLEAR PROPULSION PROGRAM — 13 YEARS  
HYDROGEN FUEL CELL INDUSTRY — 5 YEARS  
MANUFACTURING — 10 YEARS

### BACKGROUND:

---

*13 years working as a lead design engineer for the US Naval Nuclear Propulsion Program in Upstate New York Solidified my skills as an engineer, designer, and structural analyst. During my time there, I led engineering teams assembled from various disciplines in the design of reactor plant components, tooling, and equipment in support of the Program. Working in an environment with absolutely no room for error gave me a critical eye for detail and a strong foundation on which to structure a successful design process.*

*A desire to move back into the private sector took me to Plug Power, Inc., also in Upstate New York, where I focused exclusively on designing the hydrogen infrastructure Plug Power builds at it's customer's sites to supply the hydrogen necessary to power the fuel cells they manufacture. After leaving Plug Power three years ago to start Precision Design Solutions, they became my first client. Other clients include Bulldog Energy Providers, NICE America, Mohawk Lifts, and more.*

*Before all of this however, and before my Bachelor's degree in Mechanical Engineering, I worked in manufacturing and custom fabrication where I built the product instead of designing it. That experience I consider to be one of my most valuable assets.*

### EDUCATION:

---

BSME — NORTH CAROLINA A&T STATE UNIVERSITY - 1999

### CONTACT INFO:

---

**Jay Reidenbaugh**  
**Precision Design Solutions, LLC**  
**518.925.1174**  
[jreidenbaugh@precisiondesignsolutions.com](mailto:jreidenbaugh@precisiondesignsolutions.com)  
[www.precisiondesignsolutions.com](http://www.precisiondesignsolutions.com)