



## multi-channel large format touch screen display alarm datalogger

### Introduction

AI-series multi-channel touch screen display alarm datalogger inherits from Yudian's various famous technologies. It integrates measurement, display, alarm, data logging into one slim instrument. It supports maximum 6 inputs. There are three different size panel, 5-inch, 7-inch and 9-inch. The thickness of 9-inch datalogger is only 38mm which can be easily installed in various kinds of equipment. Main parameters are set in one single interface through the newly industrial graded touch screen. Optional monitor and operation can also be done through mobile phones and tablets.

### Recommended Application

- Multiple record data nodes
- Depth of installation is limited compared to traditional datalogger
- External HMI is not desirable
- Upgrading from traditional LED display temperature controller

### Functions

- Programmable module input, supporting thermocouple, RTD, mV, mA and two-wire transmitter. 0.2% measuring accuracy. Each channel can have independent input specification, with square-root, multiplication, addition and subtraction. All channels are equipped with digital adjustment and filtering functions. Each channel has individual digital adjustment and filtering parameters. It provides wind speed and atmospheric pressure constant compensation. By inputting dry-wet Pt100 blub, surrounding temperature and humidity can be obtained.
- Decimal place, display resolution, digital filter, input off-set of each input channel can be set. High performance hardware greatly reduces the temperature drift and the interference between various channels so as to increase accuracy and anti-interference as same level of that of single channel one.
- Low power consumption. 36 months warranty on quality. HMI graphic and data logging are process by one ARM chip in dual CPU mode. Individual single chip CPU ensures real time control and sampling, fulfilling strict request on field. Anti-interference test 4KV/5KHz burst of pulses passed.
- Real time trend graph, bar graph and history trend is provided. History record and alarm record can reviewed in the data-logger itself or exported to external USB storage device. The storage size is 150MB.
- There are 5 internal module slots, available for user customization of function modules such as inputs and alarm modules.
- ★ (Below are optional features. Please contact sales representatives. Limited to languages and regions.)
- Embedded web server with ethernet socket providing remote monitoring and operation through WWW browser.
- Extended socket connecting Yudian temperature control instruments, I/O devices, PLC, etc.
- World first introduced P2P cloud feature supporting remote monitoring and operation using mobile phones and tablets without public IP.



5 Inches



7 Inches

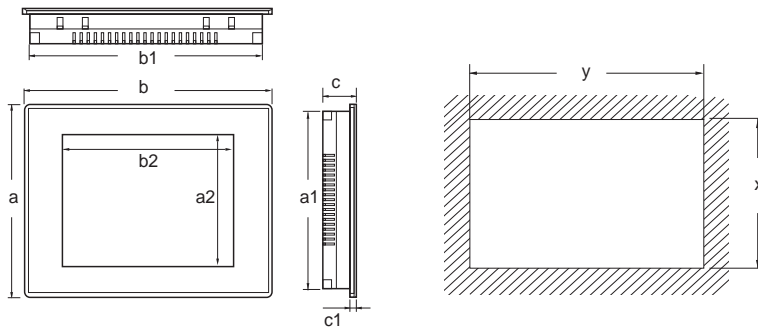




## Connection Ports

AI-3170/3190/3270/3290/3700/3900	AI-3150/3500
<p>Remarks: There is no debug port and input/output signal port in AI-3170/3190/3270/3290</p>	<p>Remarks: There is no debug port and input/output signal port in AI-3150</p>

## Dimensions



	Display Dimension ( mm )			External Dimension ( mm )						Cut-out dimension (mm)	
		a2	b2	a	b	c	a1	b1	c1	x	y
3500/3150 Series	5 寸	64	102	105	145	100	94	133	6	96	135
3700 Series (3170/3270)	7 寸	86	154	150	203	40	137	190	6	139	192
3900 Series (3190/3290)	9 寸	112	198	170	231	38	158	219	6	160	221

## Installation Diagram

AI-3170/3190/3270/3290/3700/3900	AI-3150/3500
<p>Before installation, be careful the screw heads are level with the edge of the hooks.</p>	