

## STEK Industrial Non Contact Infrared Temperature Sensor GPS Series

Dual Lazer Aiming.  
Two points define the spot diameter of measurement.



### Highlights

- Temperature range : 0°C ~ 500°C
- Optical resolution up to 33:1
- 6 digit backlit LCD display
- 150 ms response time
- 0 ~ 5V or 4 ~ 20mA output
- Digital communication
- Dual Laser Sighting
- Rugged IP 65 aluminum housing
- Standard 3m cable
- Adjustable signal processing
- STonline Software



## General

Environmental Rating	IP 65 (NEMA - 4)
Ambient Temperature	0°C to 70°C
Storage Temperature	-20°C to 85°C
Relative Humidity	10 to 95%, non-condensing
Cable Temperature	-20°C to 80°C
Weight	330g

## Electrical

Analog Output	0~5V or 4~20mA
Digital Output	TTL / USB
Minimum Load Impedance (V)	10 K $\Omega$
Maximum Loop Resistance (A)	500 $\Omega$
Power Supply	24 VDC $\pm$ 20%
Current Draw	max. 100 mA
Display	6 digit backlit LCD display
Cable Length	3 m (standard, 4-cores), 5 m / 10 m

## Measurement

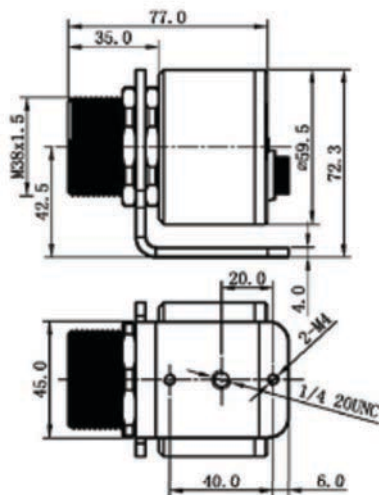
Temperature Range	0°C ~ 500°C (32°F to 932°F)
Spectral Response	8 ~ 14 $\mu$ m
Optics Resolution (90% energy)	33 : 1 (SF) 13 : 1 (CF)
Accuracy*1	$\pm$ 1% of reading or $\pm$ 1°C, whichever is greater

Repeatability\*1  $\pm$ 0.5% of reading or  $\pm$ 0.5°C, whichever is greater

Temperature Resolution	0.1°C
Response Time (95% signal)	150 ms
Emissivity (adjustable)	0.100 ~ 1.000, in 0.001 increments
Signal processing	peak hold, valley hold, average
Software	STonline

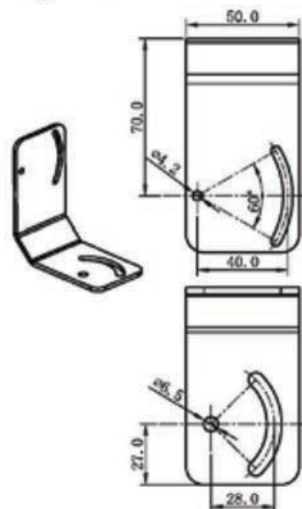
\*1 At 23°C  $\pm$  5°C, emissivity = 0.95

## Dimension (mm)

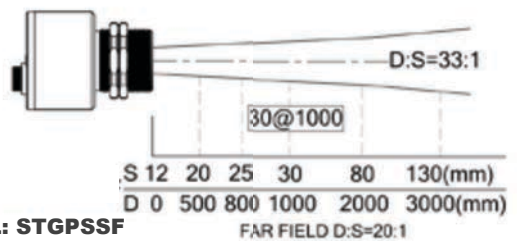


## Accessories

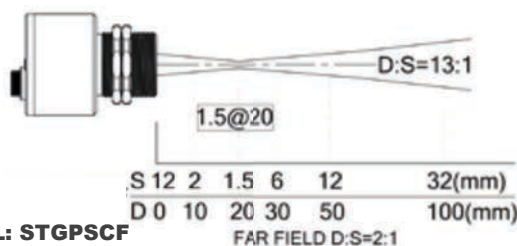
### Adjustable Bracket



## Optical Resolution



MODEL: STGPSSF



MODEL: STGPSCF