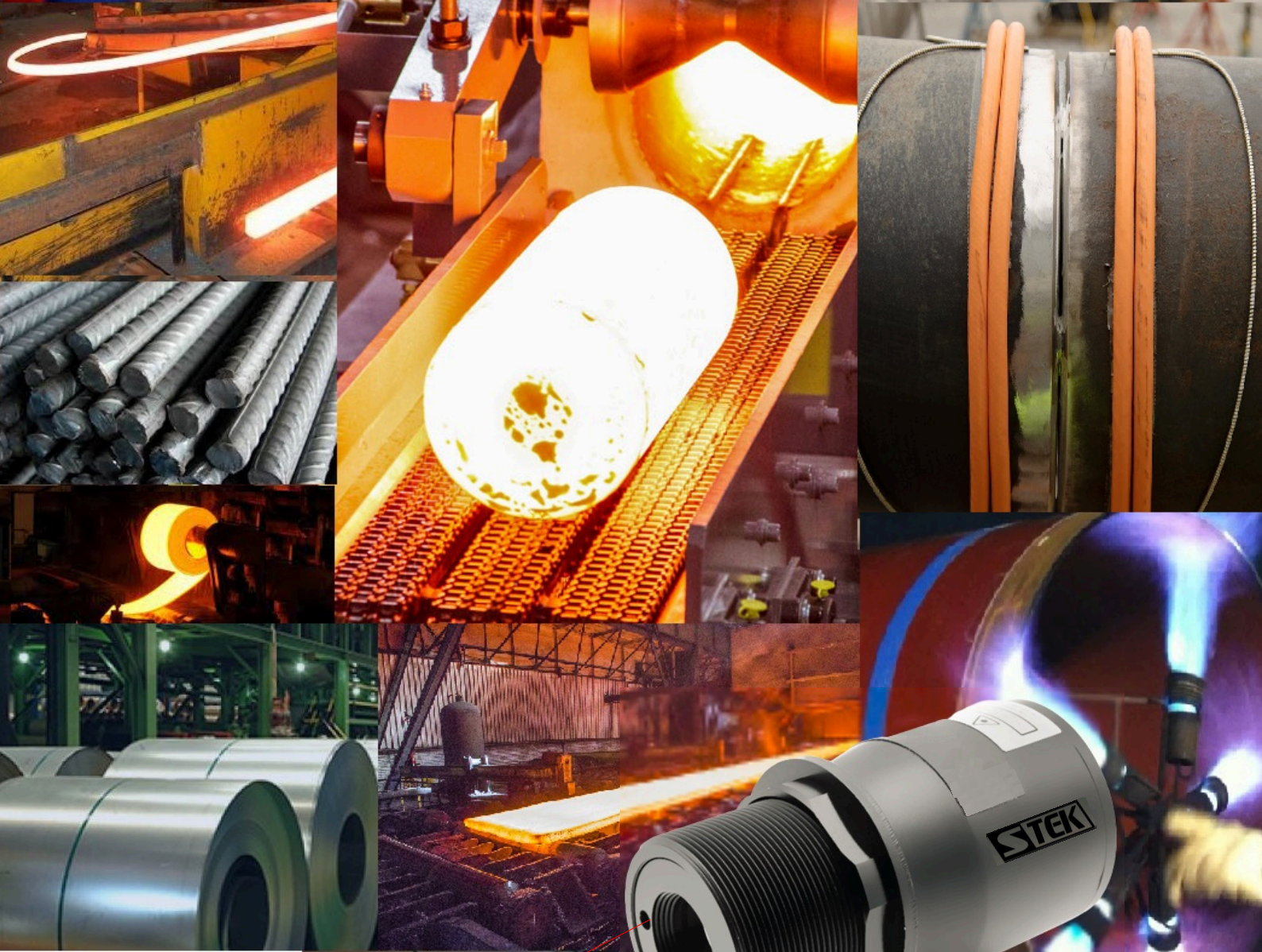




Infrared Temperature Sensors For Industries & OEM



Applications:

- Induction Heating
- Heat Treatment
- TMT Rod Manufacturing
- Steel Hot Rolling
- Steel Galvanizing
- Welding & Preheating Process

Features:

- High Optics Up to 300 :1
- DUAL Laser Aiming
- Spectral Response 1 μ , 1.6 μ , 2.4 μ & 8-14 μ
- Back Panel LCD Display of Reading and Pyrometer Settings
- Protection Accessories & Windows

Temperature Range:

- TS-33-1M-SF : 600°C to 1600°C (1112°F to 2912°F)
- TS-33-2M-SF : 300°C to 1300°C (572°F to 2372°F)
- TS-33-3MSF : 100°C to 600°C (212°F to 1112°F)
- TS-33-LTSF : 0°C to 500°C (212°F to 1112°F)
- TS-33-LRSF : 0°C to 900°C (212°F to 1112°F)

Spectral Response (Wavelength):

- TS-33-1M-SF : 1μ (Best Suitable For Metal at High Temperature)
- TS-33-2M-SF : 1.6μ (Suitable For Metal at High Temperature)
- TS-33-3M-SF : 2.3μ (Suitable For Shiny Metallic Surfaces)
- TS-33-LT/LR-SF : 8-14μ (NON Shiny Metallic Surfaces / GREY bodies)

Optics Resolution (Distance To Spot Ratio ; D:S):

- TS-33-1M-SF : 300 : 1 (Refer Chart 4,5,6 on Page:3)
- TS-33-2M-SF : 300 : 1 (Refer Chart 4,5,6 on Page:3)
- TS-33-3M-SF : 60 : 1 (Refer Chart 4,5,6 on Page:3)
- TS-33-LT-SF : 60 : 1 (Refer Chart 1,2,3 on Page:3)
- TS-33-LR-SF : 120 : 1 (Refer Chart 1,2,3 on Page:3)
- Aiming : DUAL Pointer(2 lasers meet at Focus Point)
- (Note: Close Focus Option Available, Please ensure Material, smallest spot diameter of object to be measured and Environment before selection of right product)

General Specifications:

- Environmental Rating : IP 65 (NEMA- 4)
- Ambient Temperature : 0°C to 70°C
- Storage Temperature : -20°C to 85°C
- Relative Humidity : 10 to 95% Rh, non-condensing
- Cable Temperature : -20°C to 80°C
- Weight : 280g (2m cable)

Optional Accessories:

Adjustable Mounting Bracket



Air Purge Jacket



Water/Air Cooling Jacket



Complete Assemble



Lens Protection Window



SMPS Power Supply



STEK GPCM Controller



STEK 4 Inch Large Display



IP 65 Junction Box



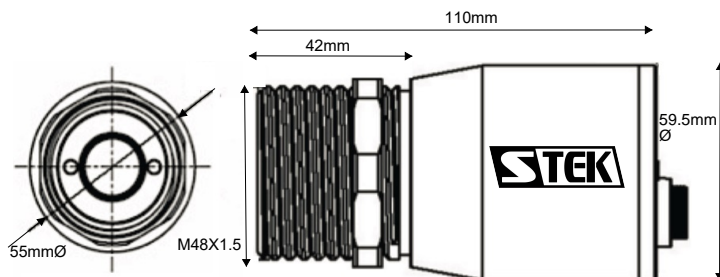
Measurement Specifications:

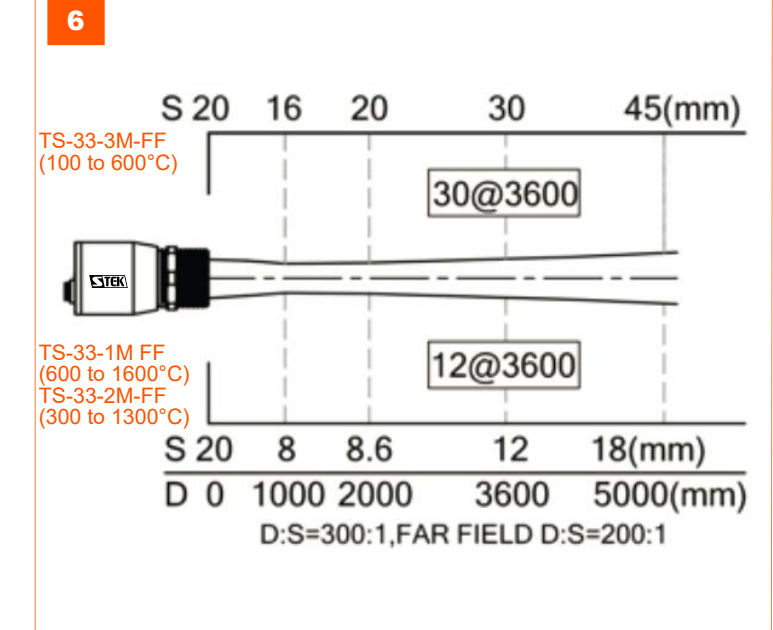
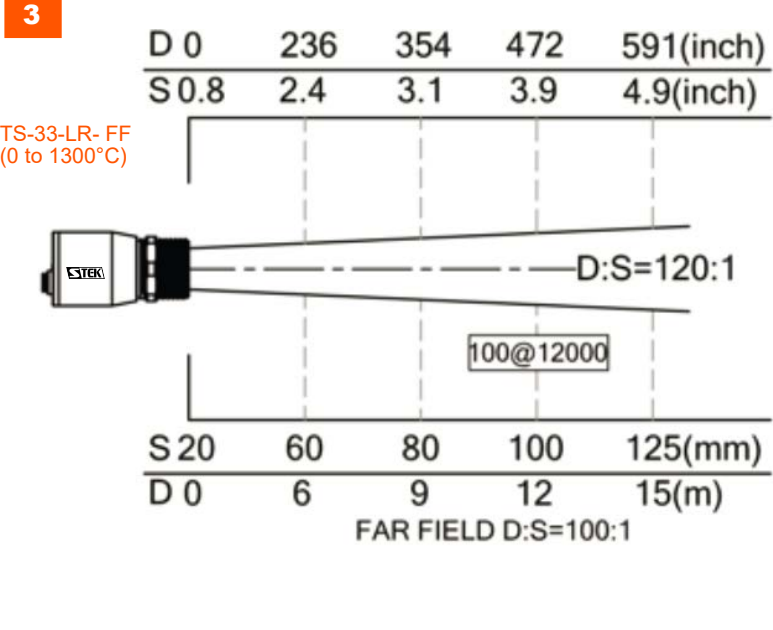
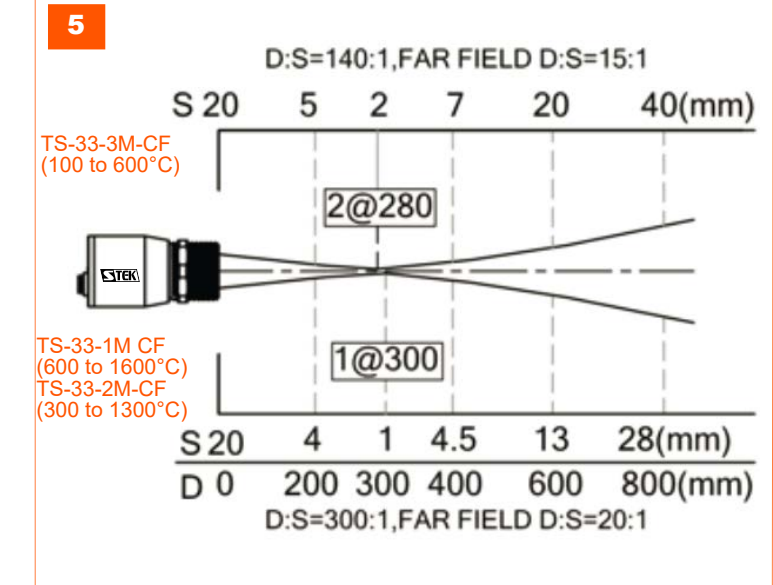
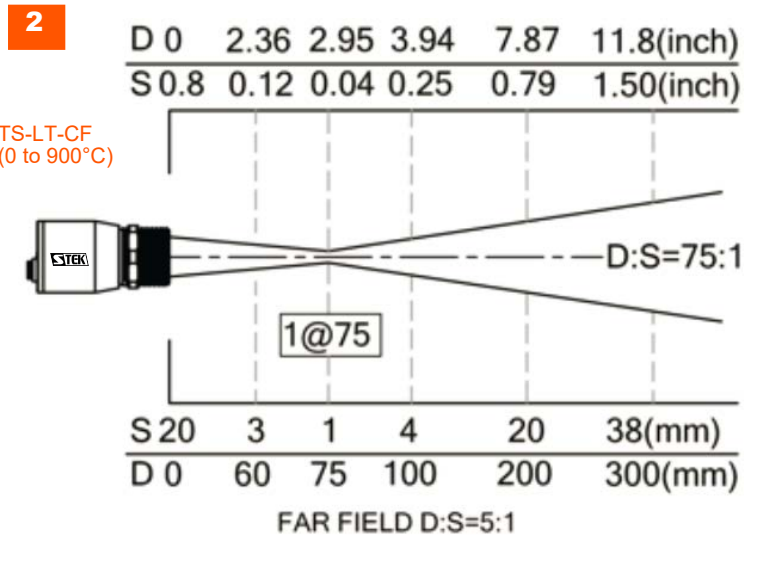
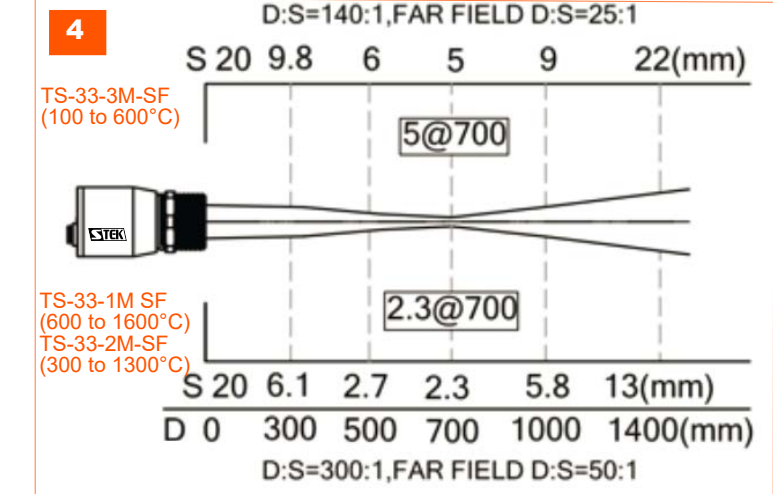
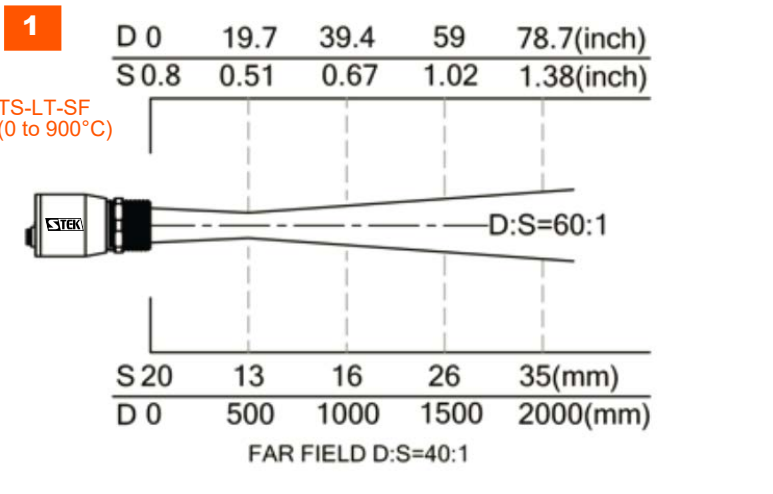
- Accuracy¹ : ±(0.5% of reading +2°C)
- Repeatability¹ : ±(0.3% of reading + 1°C)
- Response : 5 ms (95% signal) 150ms (LT/LR)
- Temperature : 0.1°C
- Emissivity : 0.100- 1.000 Through Pack Panel & GPCM Controller
- Signal : Peak hold, Valley hold, Average Through Back Panel & GPCM Controller
- ¹At 23°C ± 5°C, emissivity= 1.00

Electrical Specifications:

- Analog Output: : 4-20mA; Maximum loop resistance 500Ω
- Digital Output : TTL (2-wire)
- Power Supply : 24 VDC ± 20% Current Draw max. 100 mA
- Cable Length : 2 m

Dimensions:





Standard Accessory: Sensor with 3 meter Cable