

25 Years Of Industrial Infrared Temperature Measurement

STEK



INDUCTION BILLET HEATING



HOT ROLLING



Galvanising (Preheat, Radiant Heating, Annealing & Cooling Tower)



GALVANISING LINES



COLOUR COATING LINES

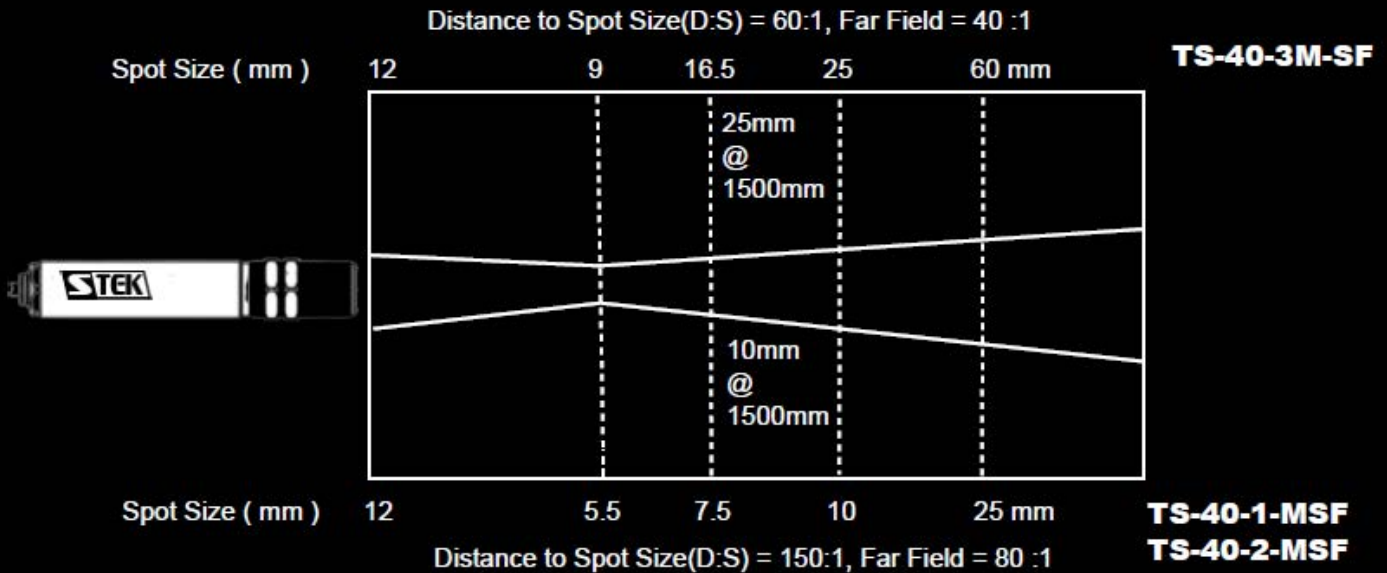
● STEK THERMALERT 4.0 SEIRES ●

● Wavelength 1M (1 μ); 2M (1.6 μ); 3M (2.4 μ)

● Optics (D:S) = 150 : 1

● Laser Aiming

www.stek.in



Temperature Range:

TS-40-1M-SF : 600°C to 1600°C (1112°F to 2912°F)
 TS-40-2M-SF : 300°C to 1300°C (572°F to 2372°F)
 TS-40-3MSF : 100°C to 600°C (212°F to 1112°F)

Spectral Response (Wavelength):

TS-40-1M-SF : 1 μ (Best Suitable For Metal at High Temperature)
 TS-40-2M-SF : 1.6 μ (Suitable For Metal at High Temperature)
 TS-40-3M-SF : 2.3 μ (Suitable For Shiny Metallic Surfaces)

Optics Resolution (Distance To Spot Ratio ;D:S; 90% energy):

TS-40-1M-SF : 150 :1
 TS-40-2M-SF : 150:1
 TS-40-2M-SF : 60:1

Accuracy¹ : $\pm(0.5\%$ of reading +2°C)

Repeatability¹ : $\pm(0.3\%$ of reading + 1°C)

Response : 5 ms (95% signal)

Time

Temperature :0.1°C

Resolution

Emissivity :0.100- 1.000 (PC Software adjustable) OR Through PI27 Controller

Signal :Peak hold, Valley hold, Average (PC Software adjustable) OR Through PI27 Controller

Software :STonline

¹At 23°C \pm 5°C, emissivity= 1.00

Electrical Specifications:

Analog Output: 4-20mA; Maximum loop resistance 500 Ω

Digital Output : RS485 (2-wire)

Power Supply : 24 VDC \pm 20% Current Draw max. 100 mA

Cable Length : 2 m

General Specifications:

Environmental Rating : IP 65 (NEMA- 4)

Ambient Temperature : 0°C to 70°C

Storage Temperature : -20°C to 85°C

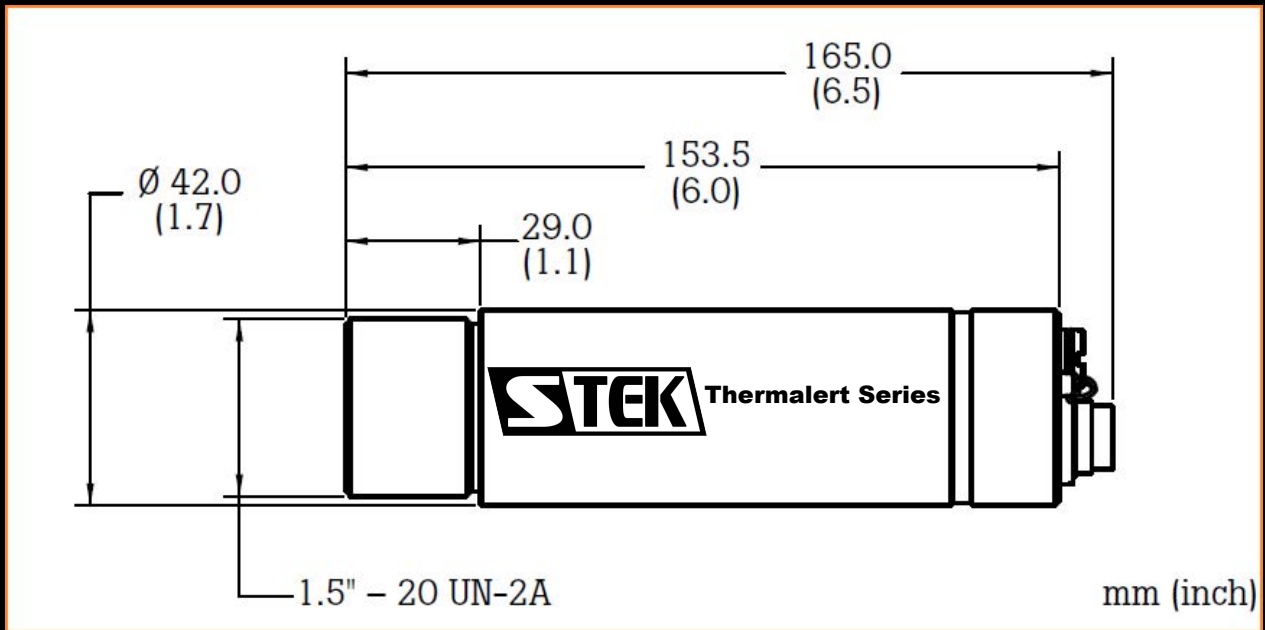
Relative Humidity : 10 to 95% Rh, non-condensing

Cable Temperature : -20°C to 80°C

Weight : 280g (2m cable)



Sensor Dimensions



Mounting Adaptor



Air Purge With Quartz Window



Mounting Adaptor with Cooling Jacket



Mounting Flange



Mounting Adaptor



Air / Nitrogen / Water Cooling Jacket