



SD06-T

High-performance Integrated
Indicator Transmitter
with Anti-interference Design

| Features |

- 2-wire loop design
- Anti-interference design
- IP rating : IP67
- Suitable for industrial environments
- 5-digit backlight display
- Button layout setting

| Introduction |

The **SD06-T** adopt the highest accuracy sensor. High reliability, long-term stability, high quality, compact size easy installation , suitable for general industrial environments.



“

Applications :

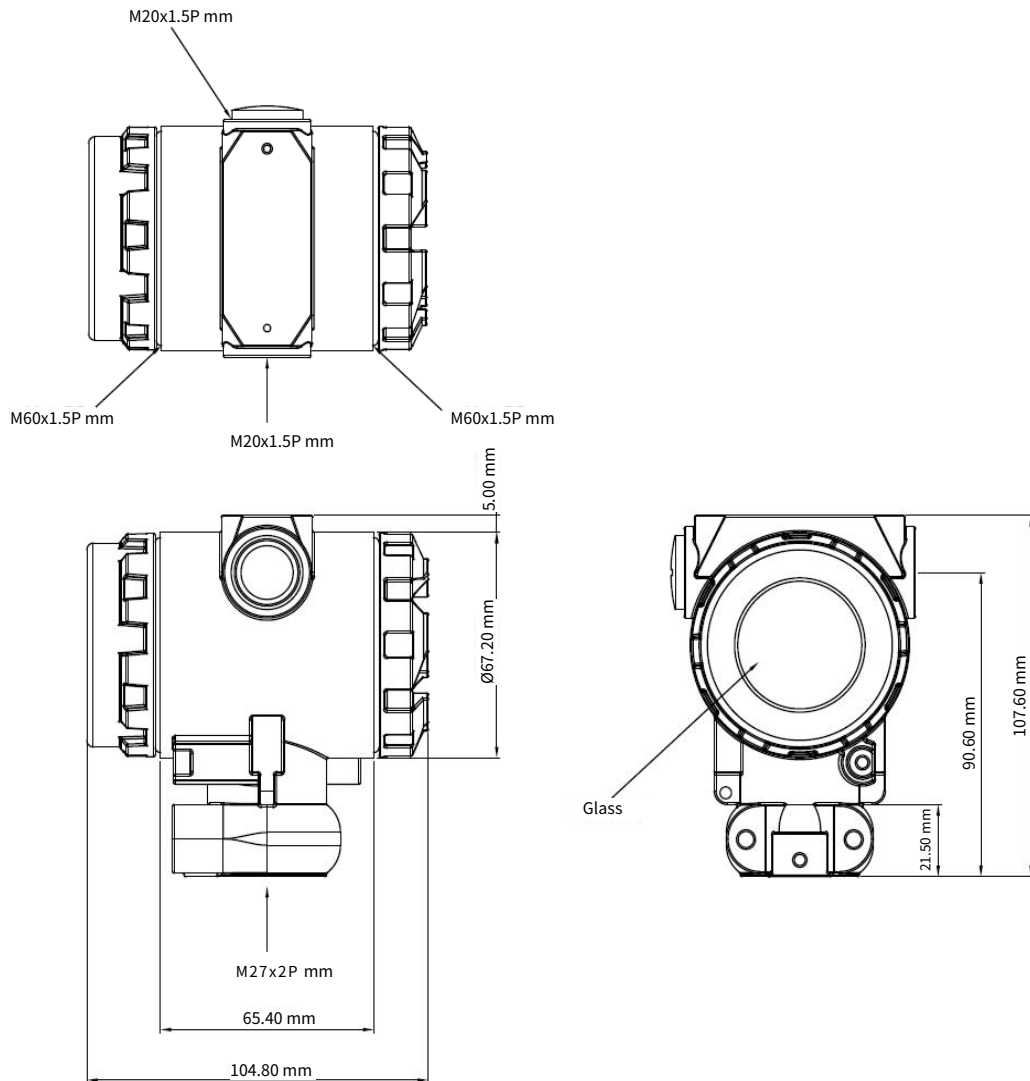
Industrial process control / Compressor /
Laboratory systems /Chemical industry /
Petrochemical industry

”

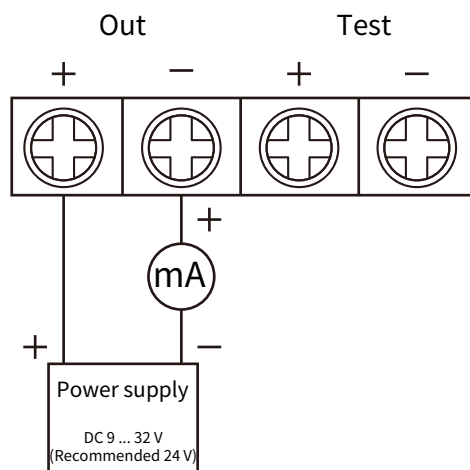
| Specification |

Input type	Temperature
Display range	-9999 ... 99999
Display unit	°C / Re / K / F
Output	4 ... 20 mA
Signal connection	2-wire
Temperature compensation	<0.5% (at -20 ... 70°C)
Linear accuracy	<0.2%
Sampling time	20 ... 30 times/sec
Response time	<2 sec
Temperature influence	±0.05%URL/10°C
Insulation resistance	>200 MΩ
Medium	Water, Gas, Oil, etc. Compatible with stainless steel
Operating Temp.	-20°C ... 70°C
Storage Temp.	-40°C ... 85°C
Power supply	DC 24 V±10%
Current consumption	<23 mA
Electrical connection	Terminal connection
IP rating	IP67
Electrical protection	■ Polarity reversal protection ■ Over voltage ■ Short circuit
Material	Rugged aluminum
Weight	Metal : 618 g(without wire)

| Dimension |




| Analog Diagram |



| Ordering Guide |

SD06 - **T** - **1** - **1** - **4** - **1** - **W**



Temp.
T

Output
1
1 : 4 ... 20 mA

Range
1
1 : -50 ... +50°C
2 : -50 ... 0°C
3 : 0 ... 50°C
4 : 0 ... 100°C
5 : 0 ... 200°C
Y : Customization

Process connection
4
2 : Outside thread R1/4"
4 : Outside thread R1/2"
A : Adjustable outside thread R1/4"
B : Adjustable outside thread R1/2"
0 : W/O outside thread / Special thread

Length (L)
1
1 : 50 mm
2 : 100 mm
3 : 150 mm
4 : 200 mm
0 : Customization

Option
W
Customization

| Additional Option (ILAC / TAF) Test Report



Additional option : (ILAC / TAF)Test report - Standard calibration laboratory(TAF accreditation : 3032, complying with ISO / IEC 17025)
TAF has mutual recognition arrangement with ILAC MRA

Project	Measurand level or range
Resistance thermometer	-40°C ... +300°C
Thermocouple thermometer	-20°C ... +300°C