

Integrated Indicator Transmitter Series



Industrial-grade Metal Meter
 Can be connected to a 2-wire transmitter
 Anti-interference Design
 Multiple Input Type

SD03

SD03 bundle product



SD03-T



SD03-P



SD03-MP



SD03-L

| Features |

- Multiple input types:
Temperature, Pressure, Differential Pressure, Flow, etc.
- 2-wire loop design
- Anti-interference design
- Protection rating : IP 67
- Suitable for industrial environments
- 4-digit LED display, decimal point can be arbitrarily planned

| Introduction |

SD03 is set according to the SENSOR range. Integrated display for industrial sites and 2-wire transmitters. Power supply in two-wire signal loop, high performance and stability suitable for on-site monitoring.

“ Applications :

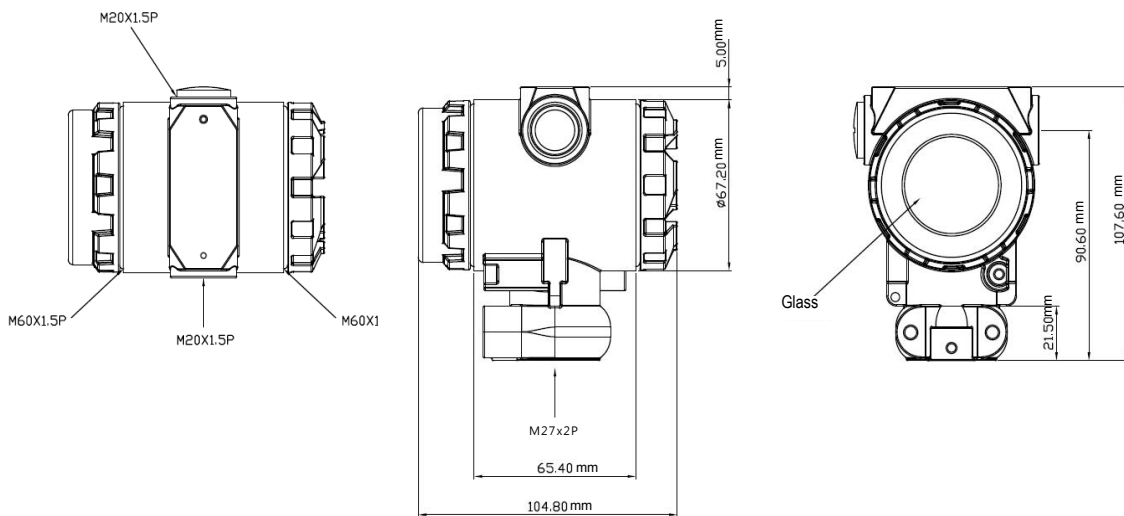
- Semiconductor Industry / Steel Industry / Chemical Industry / Environmental engineering / Food / Pharmaceutical / Water Plant / Power Plant / R&D Testing



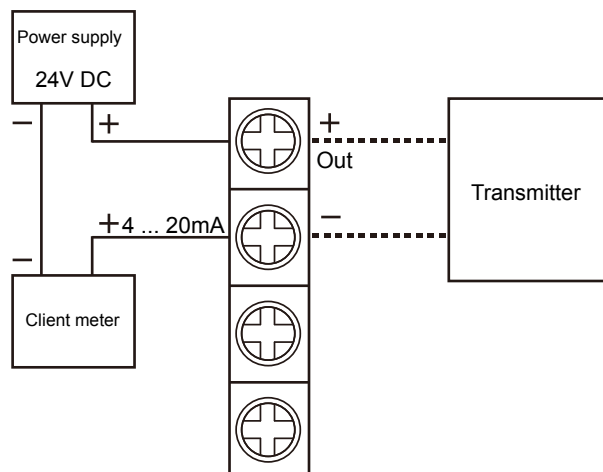
| Specification |

Input	4 ... 20 mA DC Temperature / Pressure / Differential pressure / Flow, etc.
Display range	-1999 ... +9999
Scale	Decimal point, rogrammable
Signal connection	2-wire
Accuracy	0.2 % F.S
Voltage drop	3.3 VDC
Overload current	40mA DC
Power	4 ... 20mA, 2-wire Loop
Electrical connection	M27x2 (Optional M27x1.5)
Protection rating	IP 67
Electrical protection	■Polarity reversal protection
Environmental temperature	-20°C ... +70°C
Material	Rugged aluminum
Weight	Metal:618g(Without wire)

| Dimension |




| Analog Diagram |



Integrated Indicator Transmitter Series

SD03-T Integrated Indicator Temperature Transmitter

SD03 - **T** - **1** - **1** - **4** - **1** - **W**



Temp.
T

Output
1
1 : 4 ... 20mA

Range
1
1 : -50 ... +50°C
2 : -50 ... 0°C
3 : 0 ... 50°C
4 : 0 ... 100°C
5 : 0 ... 200°C
Y : Customization


Process connection
4
2 : Outside thread R1/4"
4 : Outside thread R1/2"
A : Adjustable outside thread R1/4"
B : Adjustable outside thread R1/2"
0 : W/O outside thread / Special thread

Length (L)
1
1 : 50mm
2 : 100mm
3 : 150mm
4 : 200mm
0 : Customization

Option
W
Option

SD03-P Integrated Indicator Pressure Transmitter

SD03 - **P** - **1** - **21** - **2** - **N** - **W**



Pressure
P

Output
1
1 : 4 ... 20mA

Range
21
Absolute pressure
011 : 1bar
012 : 2 bar
014 : 4 bar
016 : 6 bar
021 : 10 bar
Relative pressure
111 : 1bar
113 : 2.5 bar
114 : 4 bar
116 : 6 bar
121 : 10 bar
122 : 16 bar
123 : 25 bar
124 : 40 bar

Process connection
2
1 : G 1/4 Outside thread
2 : PT 1/4 Outside thread

Option
N
None
W
Option

Integrated Indicator Transmitter Series

SD03-MP Integrated Indicator Differential Pressure Transmitter

SD03 - **MP** - **1** - **21** - **0** - **N** - **W**


Differential pressure

Output: 1 : 4 ... 20mA

Range: 01 : 0.1bar, 02 : 0.2 bar, 04 : 0.4 bar, 06 : 0.6 bar, 11 : 1.0 bar, 13 : 2.5 bar, 14 : 4.0 bar, 16 : 6.0 bar, 21 : 10 bar, 22 : 16 bar

Process connection: 0 : Housing G 1/4" Inside thread

Option: N None, W Option



SD03-L Integrated Indicator Level Transmitter

SD03 - **L1** - **1** - **03** - **05** - **1** - **W**

Level


Output: 1 : 4 ... 20mA

Range: 01 : 0.1 bar(only for L3), 02 : 0.16 bar(only for L3), 03 : 0.25 bar, 04 : 0.4 bar, 06 : 0.6 bar, 11 : 1.0 bar, 12 : 1.6 bar, 13 : 2.5 bar, 14 : 4.0 bar, 16 : 6.0 bar, 21 : 10 bar

Cable length: 03 : 3 m, 04 : 4 m, 05 : 5 m, 06 : 6 m, 08 : 8 m, 12 : 12 m, 18 : 18 m, 27 : 27 m, 42 : 42 m, 62 : 62 m, A2 : 102 m, 00 : Option

Cable: 1 : PVC, 2 : PTFE(only for L1)

Option: W Option



Note: The standard specification is the pressure range corresponding to the line length, for example:
 Pressure range 04: 0.4bar corresponds to line length of 06: 6 meters,
 pressure range 21: 10bar corresponds to line length A2: 102 meters, etc.

Integrated Indicator Transmitter Series

| Additional option (ILAC / TAF) Test report |  

Additional option (ILAC/TAF) Test report - Standard Calibration laboratory(TAF Accreditation: 3032)

Project	Measurand level or range
Resistance thermometer	-40°C ... +300°C
Thermocouple thermometer	-20°C ... +300°C

Project	Measurand level or range
Pressure gauge	Gauge pressure : 10 ... 7000kPa(5 basic points or 3 basic points)
	Absolute pressure : 20 ... 170kPa(5 basic points or 3 basic points)