

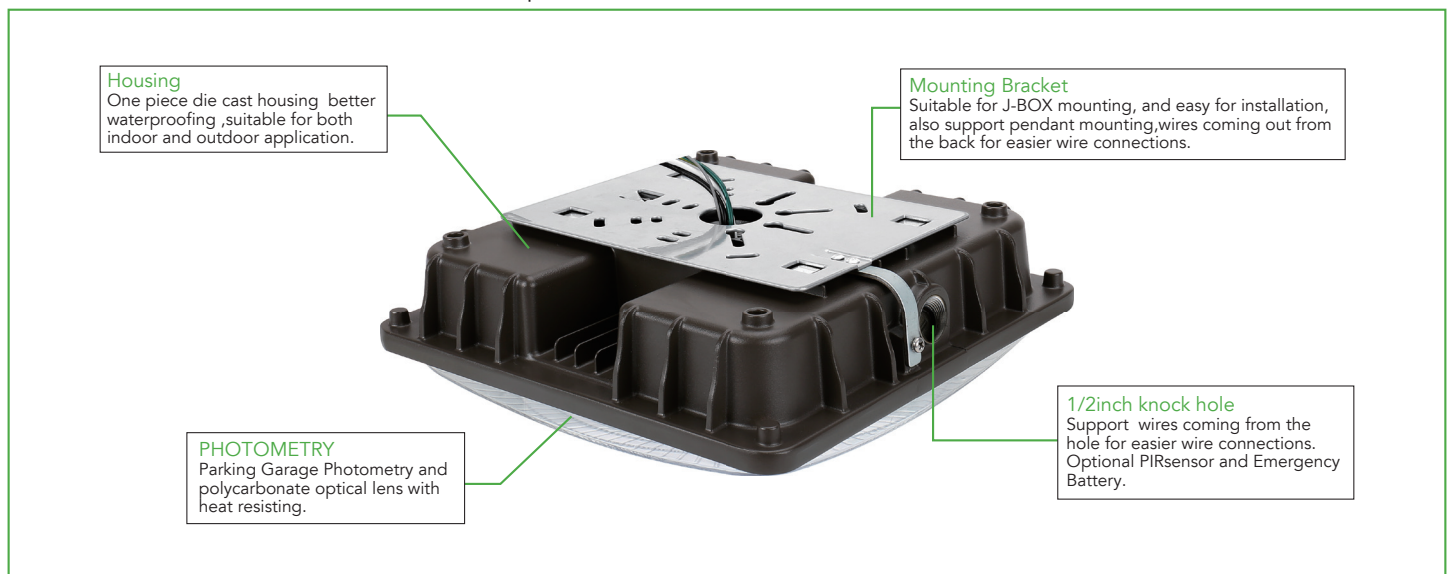


### Applications:

Parking structures, storage areas, shopping area walkways, entryway, and low level security.

## Features

- Sealed die-casting profile for indoor and outdoor applications.
- Voltage is 120-277V & 347-480V.
- Lumen output from 3750-8000lm with efficacy up to 139lm/W.
- Provide with a PIR sensor ideal for parking garage and optional for emergency battery.
- Replacing 100W MH-250W MH.
- Operating temperature is  $-40^{\circ}\text{C}$  to  $40^{\circ}\text{C}$  ( $-40^{\circ}\text{F}$  to  $104^{\circ}\text{F}$ ).
- UL/cUL wet location listed and DLC qualified.



### PERFORMANCE DATA

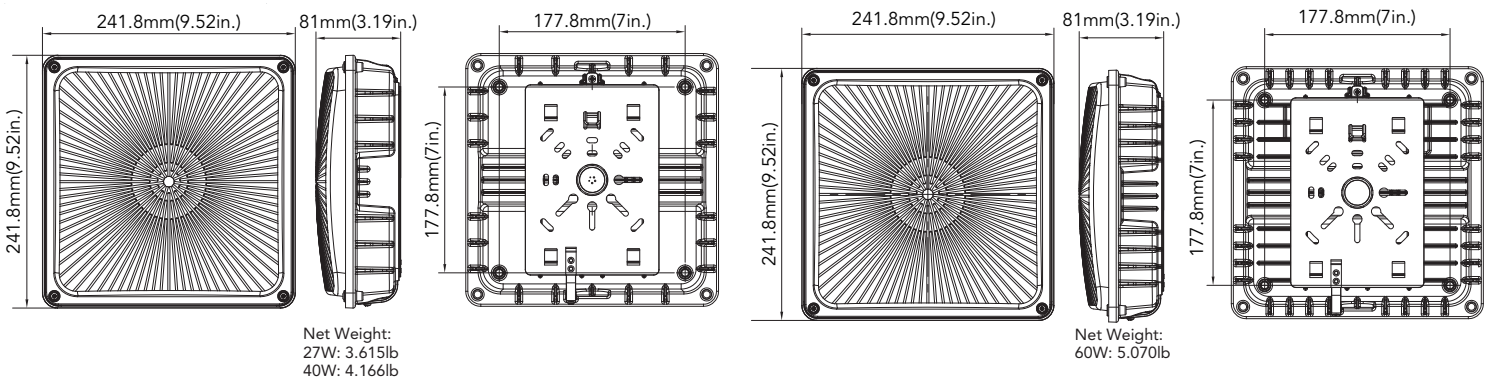
SYSTEM WATTS	PHOTOMETRY	VOLTAGE	4000K(70CRI)		5000K(70CRI)	
			LUMENS	LPW	LUMENS	LPW
27W	Parking Garage	120-277VAC	3750lm	139lm/W	3800lm	141lm/W
40W	Parking Garage	120-277VAC/347-480V	5350lm	134lm/W	5450lm	136lm/W
60W	Parking Garage	120-277VAC/347-480V	7800lm	130lm/W	8000lm	133lm/W

### ELECTRICAL DATA

Number Of Drivers	Driver Current (mA)	Nominal Power (W)	INPUT VOLTAGE (V)	CURRENT (Amps)
1	670	27	120	0.23
		27	208	0.13
		27	240	0.11
		27	277	0.10
1	980	40	120	0.33
		40	208	0.19
		40	240	0.17
		40	277	0.14
	1020	40	347	0.12
		40	480	0.08
1	1500	60	120	0.50
		60	208	0.29
		60	240	0.25
		60	277	0.22
	1600	60	347	0.17
		60	480	0.13

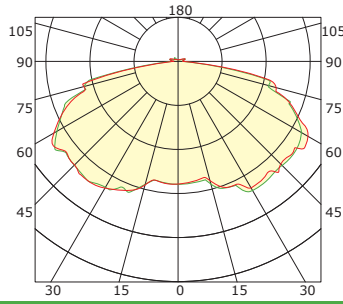
### DIMENSION

unit: inch/mm



### PHOTOMETRICS

Parking Garage



### ORDERING GUIDE

Example: FDK-CCS-F1-40W27V40KDMDBU

Fixture Type	Wattage	Input Voltage	CCT	Finish	Sensor (Option)	Dimmable(Option)	Emergency Battery (Option)	Internal Code
<input type="text"/>	<input type="text"/>	<input type="text"/>	<input type="text"/>	<input type="text"/>	<input type="text"/>	<input type="text"/>	<input type="text"/>	<input type="text"/>
FDK-SC FUDAKIN COMPACT CANOPY SQUARE SHAPE	27 27W 40 40W 60 60W	27V 120-277V 48V 347-480V	40K 4000K 50K 5000K	D Dark Bronze B Black W White SG Silver Gray	M With Sensor Blank Without Sensor	D 1-10V Dimmable Blank NON Dimmable	B With Battery Blank Without Battery	Blank Alphanumeric

Note: 1. 27W is limited to 120-277V input only. 2. Only the Dimmable Version supports emergency battery option.

### DLC Model NO.

SYSTEM WATTS	VOLTAGE	CCT	DLC NO.	DLC Classification
27W	120-277V	4000K	FDK-CCS-F1-27W27V40K[D,B,W,SG][Blank,M]	Standard
	120-277V	5000K	FDK-CCS-F1-27W27V50K[D,B,W,SG][Blank,M]	Standard
40W	120-277V	4000K	FDK-CCS-F1-40W27V40K[D,B,W,SG][Blank,M]	Standard
	120-277V	5000K	FDK-CCS-F1-40W27V50K[D,B,W,SG][Blank,M]	Standard
27W	120-277V	4000K	FDK-CCS-F1-27W27V40K[D,B,W,SG][Blank,M][Blank,B][Blank,0-9 or A-Z or a-z]	Premium
	120-277V	4000K	FDK-CCS-F1-27W27V40K[D,B,W,SG][Blank,M]D[Blank,B][Blank,0-9 or A-Z or a-z]	Premium
	120-277V	5000K	FDK-CCS-F1-27W27V50K[D,B,W,SG][Blank,M][Blank,B][Blank,0-9 or A-Z or a-z]	Premium
	120-277V	5000K	FDK-CCS-F1-27W27V50K[D,B,W,SG][Blank,M]D[Blank,B][Blank,0-9 or A-Z or a-z]	Premium
40W	120-277V	4000K	FDK-CCS-F1-40W27V40K[D,B,W,SG][Blank,M][Blank,B][Blank,0-9 or A-Z or a-z]	Premium
	120-277V	4000K	FDK-CCS-F1-40W27V40K[D,B,W,SG][Blank,M]D[Blank,B][Blank,0-9 or A-Z or a-z]	Premium
	347-480V	4000K	FDK-CCS-F1-40W48V40K[D,B,W,SG][Blank,M][Blank,B][Blank,0-9 or A-Z or a-z]	Premium
	347-480V	4000K	FDK-CCS-F1-40W48V40K[D,B,W,SG][Blank,M]D[Blank,B][Blank,0-9 or A-Z or a-z]	Premium
	120-277V	5000K	FDK-CCS-F1-40W27V50K[D,B,W,SG][Blank,M][Blank,B][Blank,0-9 or A-Z or a-z]	Premium
	120-277V	5000K	FDK-CCS-F1-40W27V50K[D,B,W,SG][Blank,M]D[Blank,B][Blank,0-9 or A-Z or a-z]	Premium
	347-480V	5000K	FDK-CCS-F1-40W48V50K[D,B,W,SG][Blank,M][Blank,B][Blank,0-9 or A-Z or a-z]	Premium
	347-480V	5000K	FDK-CCS-F1-40W48V50K[D,B,W,SG][Blank,M]D[Blank,B][Blank,0-9 or A-Z or a-z]	Premium
60W	120-277V	4000K	FDK-CCS-F1-60W27V40K[D,B,W,SG][Blank,M][Blank,B][Blank,0-9 or A-Z or a-z]	Premium
	120-277V	4000K	FDK-CCS-F1-60W27V40K[D,B,W,SG][Blank,M]D[Blank,B][Blank,0-9 or A-Z or a-z]	Premium
	347-480V	4000K	FDK-CCS-F1-60W48V40K[D,B,W,SG][Blank,M][Blank,B][Blank,0-9 or A-Z or a-z]	Premium
	347-480V	4000K	FDK-CCS-F1-60W48V40K[D,B,W,SG][Blank,M]D[Blank,B][Blank,0-9 or A-Z or a-z]	Premium
	120-277V	5000K	FDK-CCS-F1-60W27V50K[D,B,W,SG][Blank,M][Blank,B][Blank,0-9 or A-Z or a-z]	Premium
	120-277V	5000K	FDK-CCS-F1-60W27V50K[D,B,W,SG][Blank,M]D[Blank,B][Blank,0-9 or A-Z or a-z]	Premium
	347-480V	5000K	FDK-CCS-F1-60W48V50K[D,B,W,SG][Blank,M][Blank,B][Blank,0-9 or A-Z or a-z]	Premium
	347-480V	5000K	FDK-CCS-F1-60W48V50K[D,B,W,SG][Blank,M]D[Blank,B][Blank,0-9 or A-Z or a-z]	Premium

