

## 6" RECESSED HOUSING

New Construction

### ● Housing

- Die-formed aluminum for maximum heat dissipation and rust protection
- Housing adjusts to 1/2" to 1 3/8" ceiling thickness. Trims are held in place with high tension clips
- Housing is compatible with IC and Non-IC applications.



### ● Connection

E26 Standard Edison Base Socket.

### ● Hanger Bar

Allow housing to be positioned and locked at any point within a 24" joist span.  
Can be shortened for 12" joists.  
Contain integral nail.  
Hanger fit onto T-bar spline for quick alignment.

### ● Junction Box

UL listed for through branch wiring.  
1/2" and 3/4" romex wiring knockouts and four romex knockouts with integral strain clamps, all knockouts have true pry-out slots.  
J-Box is designed for straight through conduit runs.  
Fixture fully assembled including pre-wired ballast for easy installation.  
Removable access plates for easy installation.

### ● Thermal Protector

Standard thermal protection device guards against improper installation and misuse of insulation material.

### ● Air-Shut

Provided with gasket to prevent airflow from heated or air-conditioned spaces. Meets or exceeds all national air flow requirements.

### ● Listing & Warranty

UL listed to US and Canada standards for wet locations.  
5-year limited warranty.



# 5 FIVE YEARS WARRANTY

## 6" RECESSED HOUSING

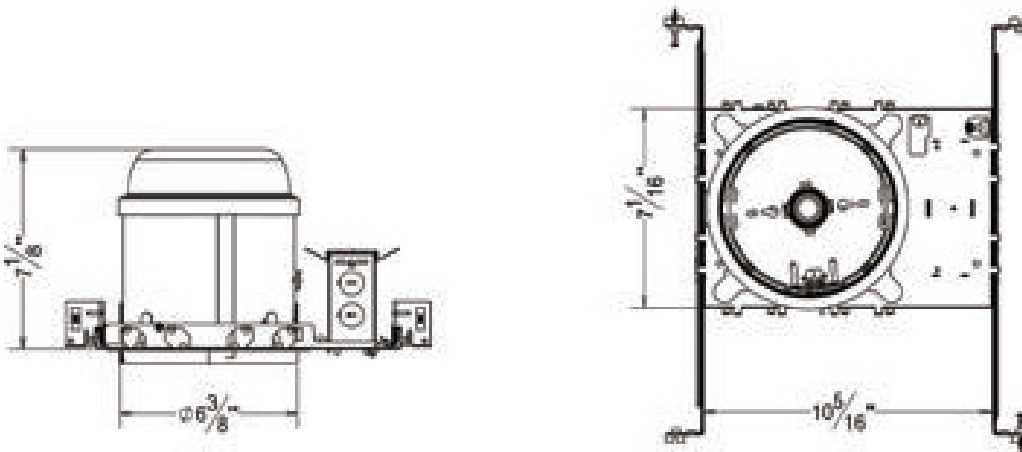
New Construction

### Product Ordering code

FDK-XX-YY-X-XX

Housing Type	Installation Type	Internal Series Number	SIZE
RC - RECESSED CAN	NC - NEW CONSTRUCTION RM - REMODEL CAN	F1~FN	06 - 6inch

### Outline Drawing & Overall Size



### TRIMS



FDK-BT-F1-06-WH

White Baffle  
75W Max.  
PAR30/BR30  
O. D. 8"



FDK-ST-F1-06-WH

### Important notes:

- All recessed housings, New Construction or Remodel, are designed as per North American standard.
- All recessed housings, New Construction or Remodel, are compatible with Progress, Elite, Juno, Halo, and PVR trims.
- All trims, Baffle or Shower, are compatible with Progress, Elite, Juno, Halo, and PVR recessed cans.
- We recommend you to use Fudakin Lighting Trims for standard Recessed Housings.



# 5 FIVE YEARS WARRANTY