

LED Edge-Lit Exit Sign

Double Exit



Single Exit



Double Exit



Stairs



Product Photo



Product Feature

Housing

- Compact and decorative design.
- Aluminum housing with high grade acrylic panel.
- Replaceable acrylic EXIT panel.
- Removable directional indicators.
- Single and double face universal design.
- Removable front cover for easy installation and maintenance.
- 6" height red and green letter optional.
- Single and double face optional.
- Suitable for damp location.

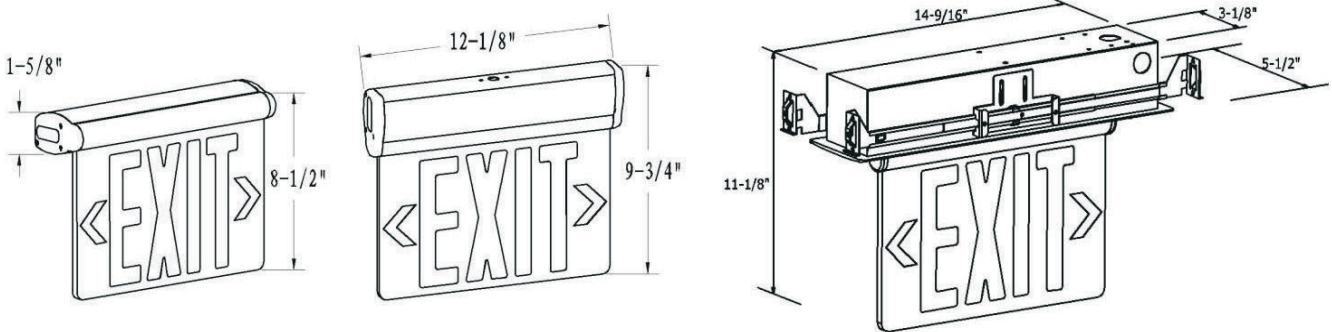
Electrical

- 120/277 VAC dual voltage operation.
- Test switch and charge rate indicator.
- Self-test and Self-diagnostics function is available for battery backup model.
- Fully automatic, solid-state charger.
- Brown out circuit with overload and Short-Circuit protection.

Mounting

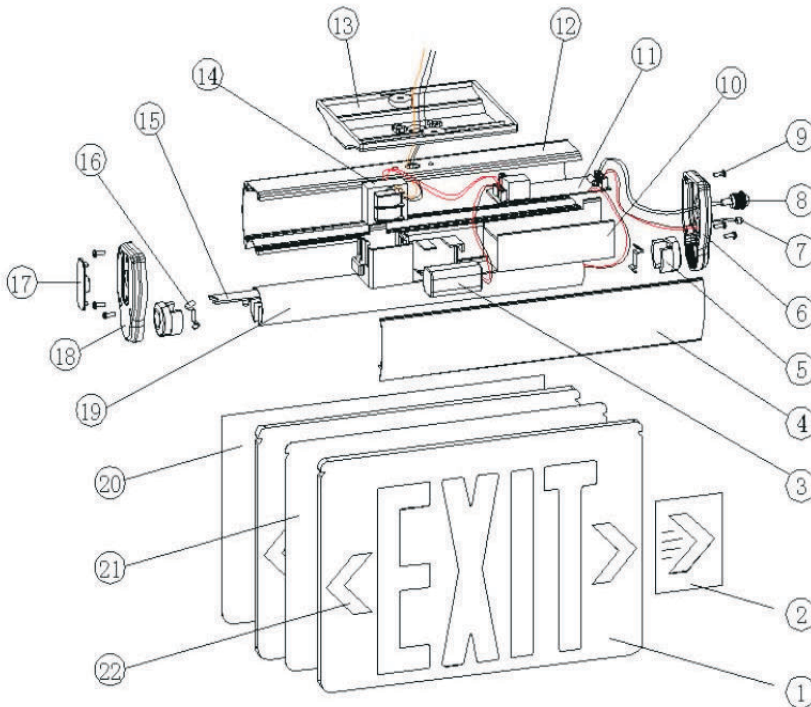
- Universal mounting including wall mount, end mounting, ceiling mounting and recessed kit option.

Product Dimension

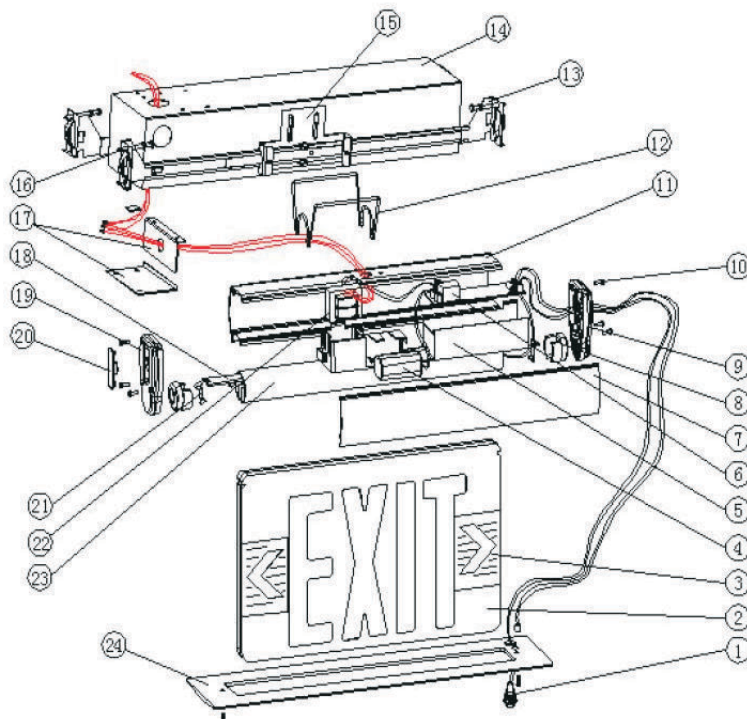


Family	Series	Numbers of face	Lettering	Background	Function	Housing colour
Edge-lit exit sign Recessed exit sign	Battery backup AC only Dual AC input	S: Single face D: Double face	R: Red G: reen	C: Clear M: Mirror W: White	Blank: Standard circuit CT: Self-Diagnostics	AL: Aluminum WH: White

Exploded and Material List

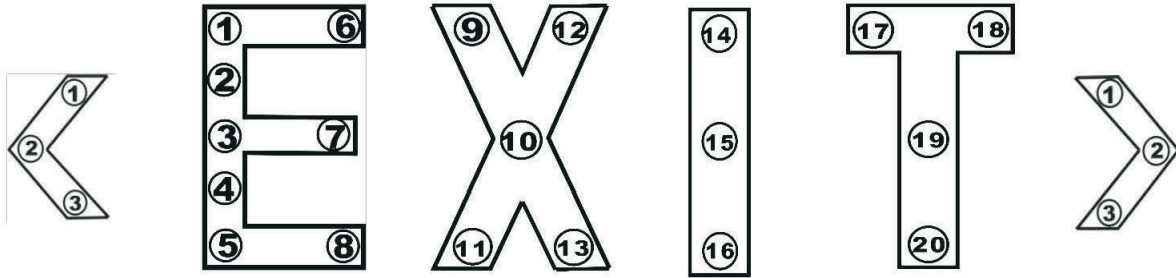


No.	Parts Name	Q'Y
1	EXIT panel	1 PC
2	Template label	4 PCS
3	Ni-Cad battery	1 PC
4	Front cover	1 PC
5	Rotation bracket	2 PCS
6	Right cover	1 PC
7	LED indicator	1 PC
8	Test Switch	1 PC
9	Screw (PM3*15)	6PCS
10	PCB Installation box	1 PC
11	Main PCB	1 PC
12	Base	1 PC
13	Canopy	1 PC
14	Transformer	1 PC
15	LED PCB	1 PC
16	Shrapnel	2 PCS
17	Hole Plug	2 PCS
18	Left cover	1 PC
19	Rotation housing	1 PC
20	Reflective film	1 PC
21	Reflective film	1 PC
22	Directional Arrow	4 PCS



NO.	Parts Name	Q'ty
1	Test Switch	1 PC
2	EXIT Panel (PMMA)	1 PC
3	Chevron	2 or 4 PCS
4	Ni-Cad Battery	1 PC
5	Inverter Case	1 PC
6	Charge PCBA	1 PC
7	Front Cover	1 PC
8	Rotation Bracket	2 PCS
9	Main End Cap	1 PC
10	Screw(PB3*15mm)	6 PCS
11	Main Frame	1 PC
12	Spring bracket	1 PCS
13	Male Bar Hanger	2 PCS
14	Recessed back box	1 PCS
15	Bar Hanger Bracket	2 PCS
16	Setting Nail	4 PCS
17	Junction box	1 PC
18	LED PCBA	1 PC
19	Side Mounting End Cap	1 PC
20	Hole Plug	2 PCS
21	EXIT Panel Holding Clip	2 PCS
22	Transformer	1 PC
23	Rotation Housing	1 PC
24	Trim Plate	1 PC

Photometric



Red Panel

LUMINANCE MEASUREMENT TEST DATA

Measurement units in cd/m²

	L1	40.38	1	129.70	9	116.50	14	98.35	17	107.60	R1	31.05
	L2	38.45	2	51.33	10	26.79	15	31.70	18	106.10	R2	31.76
	L3	27.83	3	42.83	11	38.66	16	30.90	19	34.87	R3	23.49
			4	31.76	12	115.00			20	38.76		
			5	40.76	13	29.71						
			6	119.30								
			7	49.58								
			8	38.59								
Average		35.55		62.98		65.33		53.65		71.83		28.77
Uniformity		1.451		4.08		4.35		3.18		3.09		1.35
1. Legend and chevron Average :								<u>56.606</u>				
2. Legend and Chevron uniformity :								<u>5.521</u>				
3. Minimum luminance of legend&chevron.						Legend:	26.79	Chevron:	23.49			
4. Maximum luminance of legend&chevron						Legend:	129.7	Chevron:	40.38			

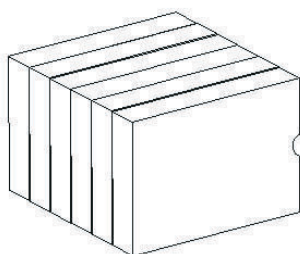
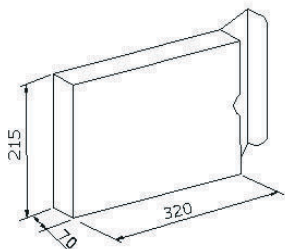
Green Panel

LUMINANCE MEASUREMENT TEST DATA

Measurement units in cd/m²

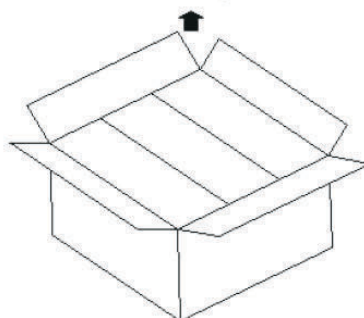
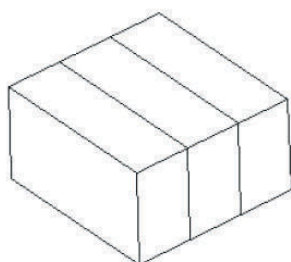
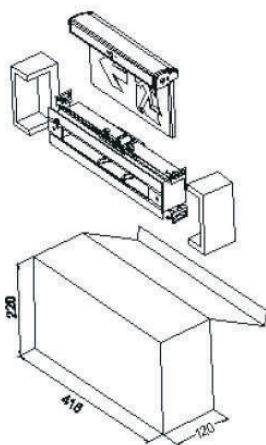
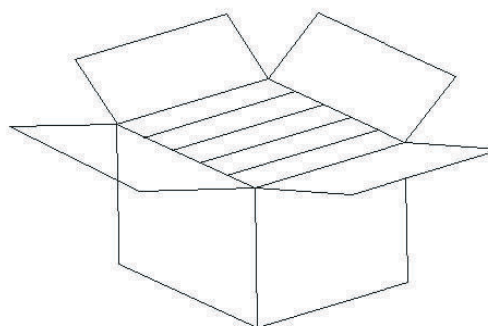
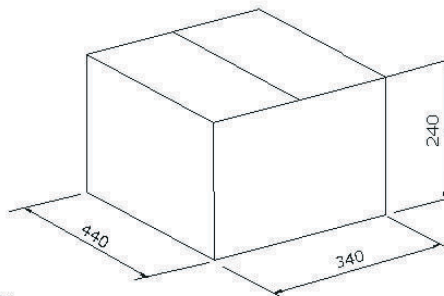
	L1	80.31	1	137.90	9	152.70	14	123.50	17	115.10	R1	58.00
	L2	76.61	2	61.16	10	38.22	15	41.48	18	126.60	R2	76.52
	L3	62.44	3	58.66	11	81.49	16	82.26	19	50.12	R3	65.35
			4	52.82	12	132.00			20	98.41		
			5	80.39	13	64.47						
			6	142.70								
			7	69.64								
			8	86.04								
Average		73.12		86.16		93.78		82.41		97.56		66.62
Uniformity		1.286		2.70		4.00		2.98		2.53		1.32
1. Legend and chevron Average :								<u>85.188</u>				
2. Legend and Chevron uniformity :								<u>3.995</u>				
3. Minimum luminance of legend&chevron.						Legend:	38.22	Chevron:	58			
4. Maximum luminance of legend&chevron						Legend:	152.7	Chevron:	80.31			

Packaging



6pcs/Master carton

Q'TY: 6 PCS
N.W: 7.5 KGS
G.W: 8.8 KGS
MEA'S: 1.37 CUFT



Q'TY: 3 PCS
N.W: 7.1 KGS
G.W: 8.4 KGS
MEA'S: 1.51 CUFT