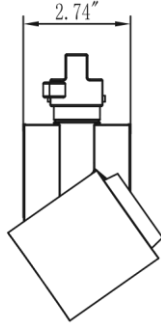
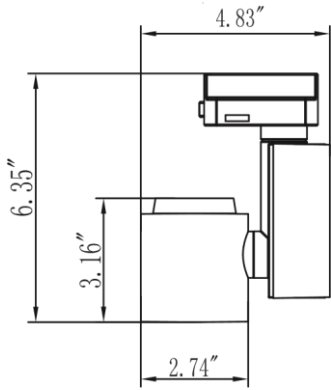


## Dimension And Picture: Specifications:



Model	Input Voltage	Power (Watts)	Luminous Flux(lm)	Color Temperature	Operating Temperature	Life-span	CRI
FDK-STL-07-XXK-YY-ZZ-D	AC120V	7	450	2700K-5000K	-25°C-40°C	50000	≥80
FDK-STL-10-XXK-YY-ZZ-D	AC120V	10	750	2700K-5000K	-25°C-40°C	50000	≥80

- 1). where "XX" could be 27,30,40,or 50 which denotes color temperature 2700,3000K,4000 or 5000K.
- 2). where "YY" could be 15,25,40 or 60 denotes beam angle 15 ,25 ,40 ,or 60 .
- 3). where "ZZ" could be WH or BL which denotes White or Black.
- 4). "D" denotes Dimmable

## Features & Applications:

- Outstanding optical design providing an efficient light source Save 60% energy consumption
- compared to Extruded aluminum,anodized surface treatment helps to Traditional lighting
- state-of-the-art heat sink Easy installation
- High lumen output is ideal for illuminating large spaces Maintenance free
- Attractive styling and durable High quality and reliability Available in 2 light source
- options,individual Long life
- MR16 bulb (7W) and integrative COB LED (10W) Even light distribution with multiple beam angles
- High-efficiency current driver
- As one of the most versatile light fixtures in the
- Available in 2700K-5000K colours industry,track lights are highly utilized in retail
- Adjustable heads for multidirectional use stores,supermarkets and malls.Also,many

Contains no mercury



Applications in exhibition halls,museums,galleries and display cases/cabinets

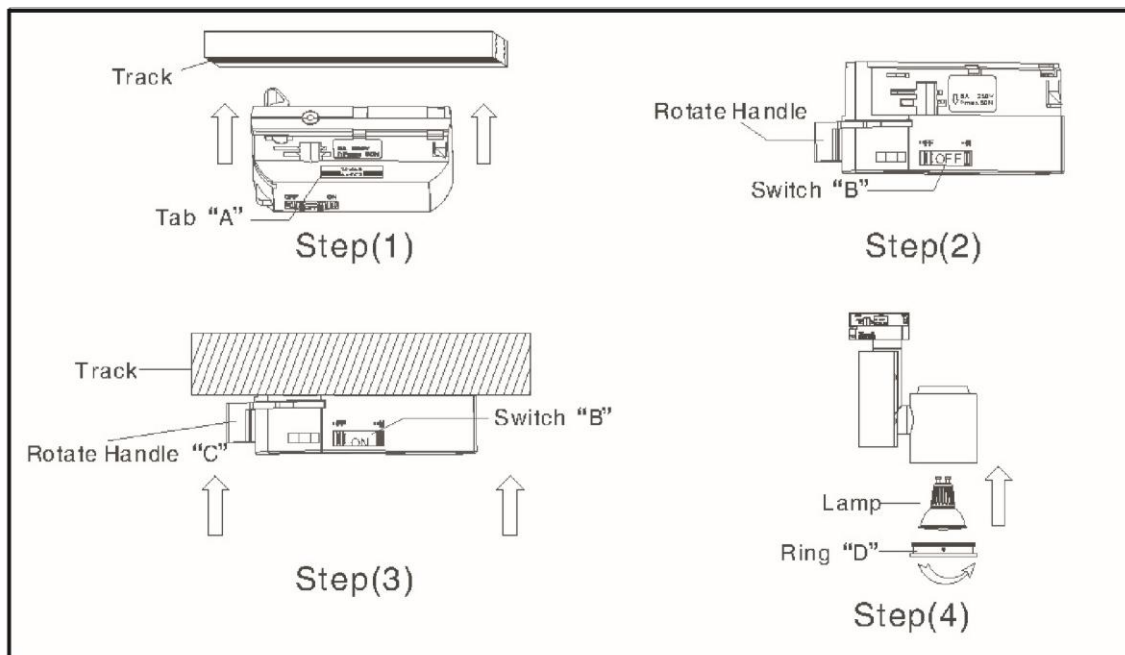
# 5 YEARS WARRANTY

## Warning

- Please consult label for proper voltage and lamp information.
- Always turn track connector to "Off" position before installation and lamp maintenance.
- For use with "L" series track system only, manufactured by Wenhui eleterprise co.,Ltd.(E149221).

## Instructions

1. Make sure power supply is off. Aim connector side with the Tab "A" at the side of track that has two wires (indicated by additional beveled line on one side of the track channel).
2. Turn switch "B" to "OFF".
3. Push the rotate handle "C" to allow for tabs to make contact to electricity in track , Turn switch "B" to "ON". Adjust lamp head to suitable position and switch on power supply.
4. Switch off power supply first then take off the inner ring "D" to install the LED MR16 lamp.



## Notice

1. This fixture works with control gear under condition of 120 VAC 50/60HZ power input and rated power lamp.
2. Don't replace any accessory to prevent from dropping, electric shock or fire etc.
3. Ensure a distance of 75mm away from the fixture for the sake of air ventilation and their use should obey all fire regulations. The distance between the fixture and the lighted object must be 0.8m at least.
4. Don't touch the lamp when in use.
5. Don't be covered by adiabatic material at any time.
6. Always switch off the mains supply 5-10 minutes later to replace the lamp to make sure the used lamp has cooled down.
7. If you have any other questions about this manual, please refer to qualified engineer.



# 5 FIVE YEARS WARRANTY

Email: [info@fudakinlighting.com](mailto:info@fudakinlighting.com) | [www.fudakinlighting.com](http://www.fudakinlighting.com)