

FIXTURE

LED Vapor Proof Linear Fixture

Descriptions / Features / Specifications



Products Description:

This LED vapor proof linear fixture operates between 100 and 277 volts. It features an energy-efficient, low maintenance alternative to traditional fluorescent. It can use as low bay lighting applications at 20 feet or lower or in a commercial setting. The luminaries expands the linear product offering to include IP65 rated fixtures for demanding industrial environments.

Features:

- 100-277VAC 50/60Hz Input
- IP65 suitable for wet and industrial location
- DLC4.0 PLATINUM Standards
- Efficacy reach to 150lm/w
- IK09 and 5VA rated shatter-proof optically enhanced diffuser (options of clear/frosted optics) and stainless-steel clips.
- LM79, LM80 tests and reports as IESNA standards.
- UL cUL listed, UL 1598 suitable for wet locations
- Work temperature rated -40°C Up to 50°C (-40°F up to 122°F).
- EMI: Title 47 CFR 15 Class A.

Specifications:

ITEM	SPECIFICATION	FDK-VPF-F1-4-27-38W-XXK-D	FDK-VPF-F1-4-27-50W-XXK-D
GENERAL PERFORMANCE	Power consumption(W)	38W	50W
	Lumens Delivered (lm)	5700lm(Clear Cover) 4900lm(Frost cover)	7500lm(Clear Cover) 6500lm(Frost cover)
	Efficacy (lm/W)	150lm/W(Clear Cover) 130lm(Frost cover)	150lm/W(Clear Cover) 130lm(Frost cover)
	Beam angle	120 degree available	120 degree available
	CRI	80	80
	Color Temperature	4000K, 4500K, 5000K, 5700K(DLC CCT)	4000K, 4500K, 5000K, 5700K(DLC CCT)
	L70	>50,000hrs	>50,000hrs
ELECTRICAL	Power Factor	>0.9	>0.9
	Input Voltage	100-277VAC 50/60Hz	100-277VAC 50/60Hz
PHYSICAL	Housing	PC(Body) Diffuse(PC)	PC(Body) Diffuse(PC)
	Installation	Surface Mount / Chain	Surface Mount / Chain
	Operating temperature	-40°C Up to 50°C (-40°F up to 122°F)	-40°C Up to 50°C (-40°F up to 122°F)
CERTIFICATION	Environment	Indoor/Outdoor, Wet locations	Indoor/Outdoor, Wet locations
	Warranty	5 years	5 years
	Certification	UL/cUL, DLC 4.0 Standard, DLC 4.0 Premium	UL/cUL, DLC 4.0 Premium



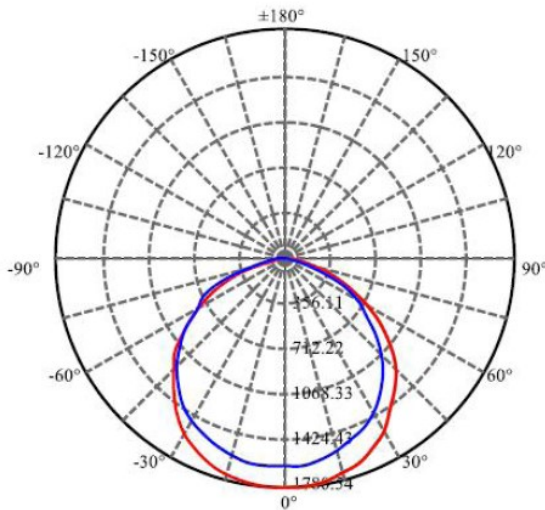
FIXTURE

LED Vapor Proof Linear Fixture

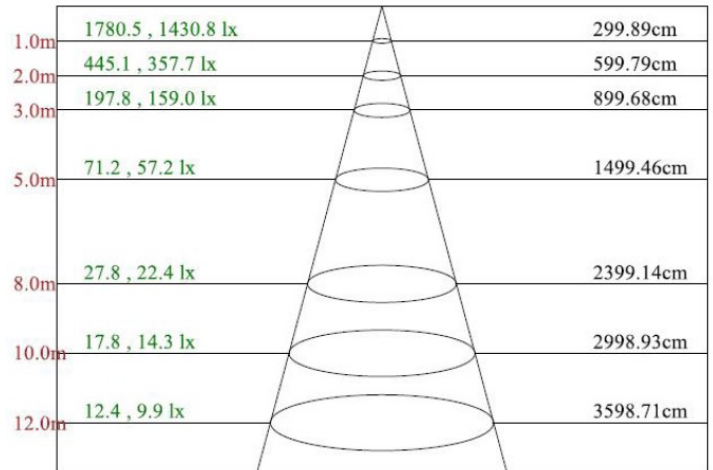
Photometric:

Frost cover at 120VAC

Luminous Intensity Distribution Diagram
Light Distribution Curve [Unit:cd]



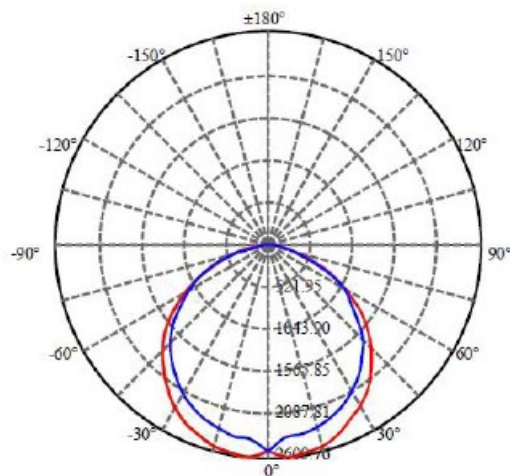
Lux distance Curve



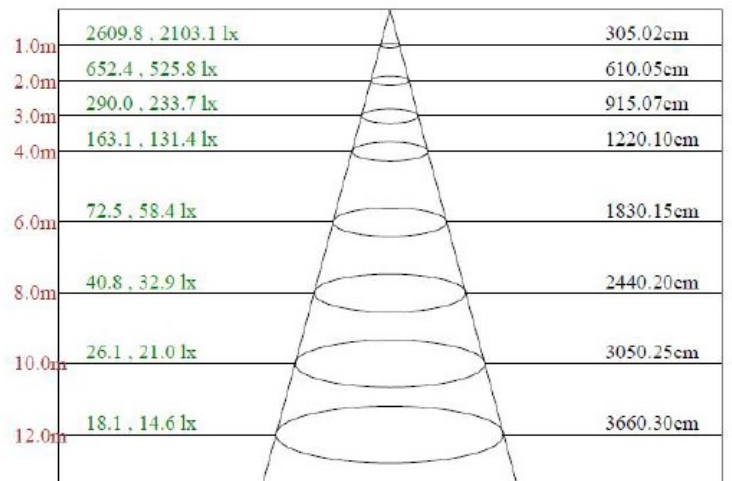
Max, Ave Beam angle of C0plane112.59

Clear-Lined Cover at 120VAC

Light Distribution Curve [Unit:cd]



Lux distance Curve



Max, Ave Beam angle of C180plane113.47

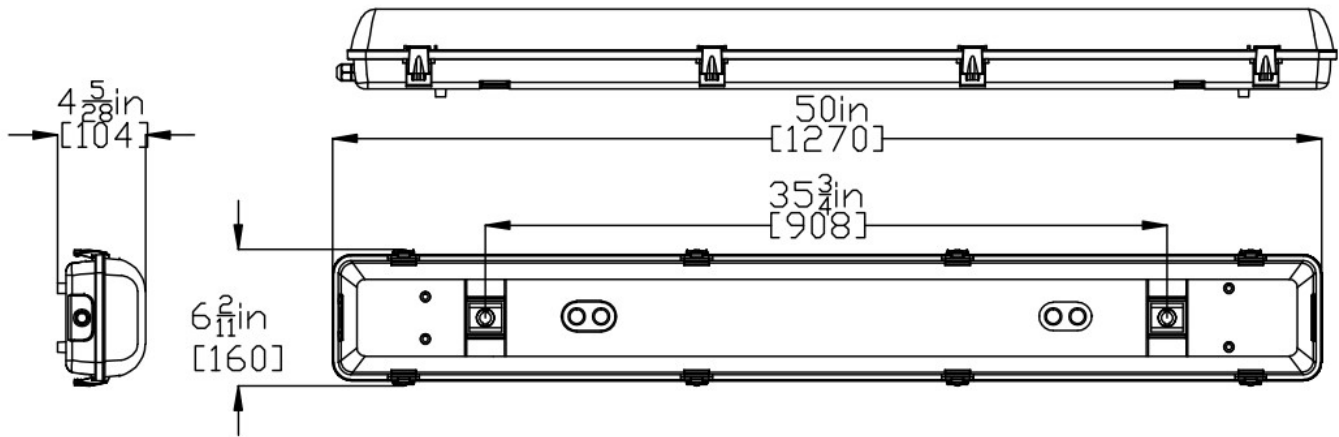


5 FIVE YEARS WARRANTY

FIXTURE

LED Vapor Tight Linear Fixture

Dimension:



Option:

1. MC605V/D:HF system 5.8GHz.Motion sensor, Automatic dimming when used in combination with 1-10V dimmable LED drivers. Built-in adjustable day light sensor.
2. MC015S/D:HF system 5.8GHz.Motion sensor On/OFF
3. WRS-5T Wire rope suspension kit length 5ft (Accessory for Suspended Mounting).

Order information:

For example

Family	Watt	Length	CCT	Cover	Voltage	Dimming
VPF: Vaper Proof	38W 50W	4 = 4FT	40K:4000K 50K:5000K	F:Frost cover C:Clearly cover	27 = 120 - 277V	D = 0 -10 V Dimming

Packing:

Product No.	Pieces/carton	NW(kg)	GW(kg)	Box Dimensions
FDK-VPF-F1-4-27-38W-XXK-D	4pcs	14kg(30.8lb)	17.14kg(37.8lb)	129*20*34cm
FDK-VPF-F1-4-27-50W-XXK-D	4pcs	14kg(30.8lb)	17.14kg (37.8lb)	129*20*34cm



5 FIVE YEARS WARRANTY