

LINEAR HIGH BAYS

40W,100W,150W & 200W Linear High Bay

FUDAKIN Linear High Bay is ideal for replacing traditional metal halide lamps and linear fluorescent high bay systems. Benefits include high efficiency, excellent color rendering, low glare, long life, dimming, and improved uniformity. Suggested mounting heights from 4m-10m with primary applications including warehousing, commercial facilities, open and stack aisle applications.



● Features

- Outstanding optical design providing high vertical intensity of illumination
- Even light distribution
- Extruded aluminum and anodized surface treatment creates a state-of-the-art heat sink
- Reflector is made from sand-blasted aluminum plate for maximum look and durability
- High lumen output is ideal for illuminating large, open spaces
- Instant on, no humming or buzzing
- Suitable for damp location
- Input voltage, AC100-277V/AC277-347V
- Available from 40W, 100W, 150W to 200W
- Contains no mercury
- ETL/CETL and DLC certified
- Suitable for use in a variety of conditions including cold storage units

● Benefits

- Save 60% energy consumption compared to traditional lighting
- Easy installation
- Maintenance free
- High quality, reliable and consistent
- Even light distribution

● Applications

Large retail supermarkets, warehouses, manufacturing facilities and industrial plants. Excellent in recreational facility applications such as ice rinks, gymnasiums, swimming pools and stadiums.



5 FIVE YEARS WARRANTY

LINEAR HIGH BAYS

40W,100W,150W & 200W Linear High Bay

Product Parameter

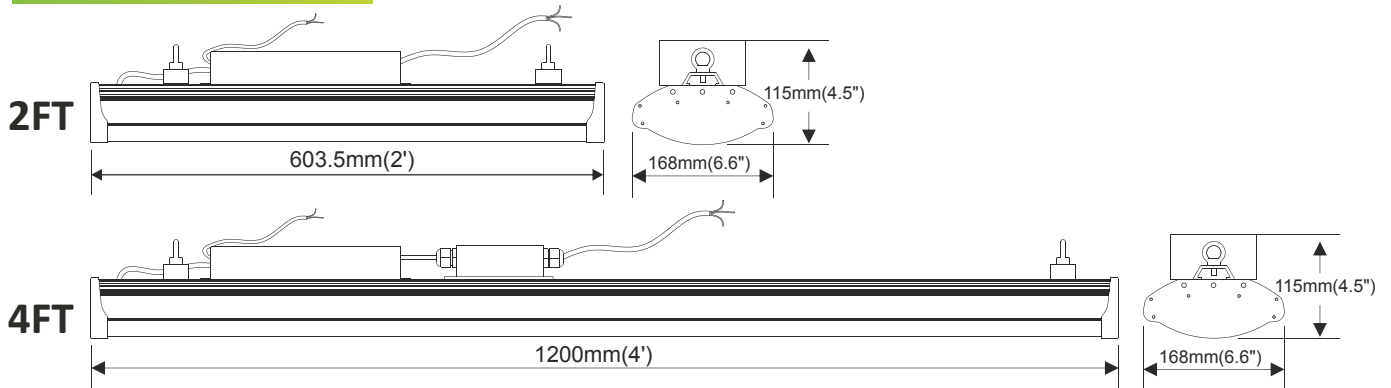
Model	Watt	Input Voltage	CCT	Light Output	CRI	Beam Angle	Material	Warranty
FDK-LHB-02-40W-YY-XXK-D	40	AC100-277V	3500 K 4000 K 4500 K 5000 K	≥ 4400 LM	iv 80	120°	Aluminum	5 Years
FDK-LHB-02-40W-YY-XXK		AC347-480V		≥ 4400 LM				
FDK-LHB-04-100W-YY-XXK-D	100	AC100-277V		≥ 11000 LM				
FDK-LHB-04-100W-YY-XXK		AC347-480V		≥ 11000 LM				
FDK-LHB-04-150W-YY-XXK-D	150	AC100-277V		≥ 16500 LM				
FDK-LHB-04-150W-YY-XXK		AC347-480V		≥ 16500 LM				
FDK-LHB-04-200W-YY-XXK-D	200	AC100-277V	≥ 22000 LM					
FDK-LHB-04-200W-YY-XXK		AC347-480V	≥ 22000 LM					

Product Ordering code

FDK-LHB- - -YY-XXK-D

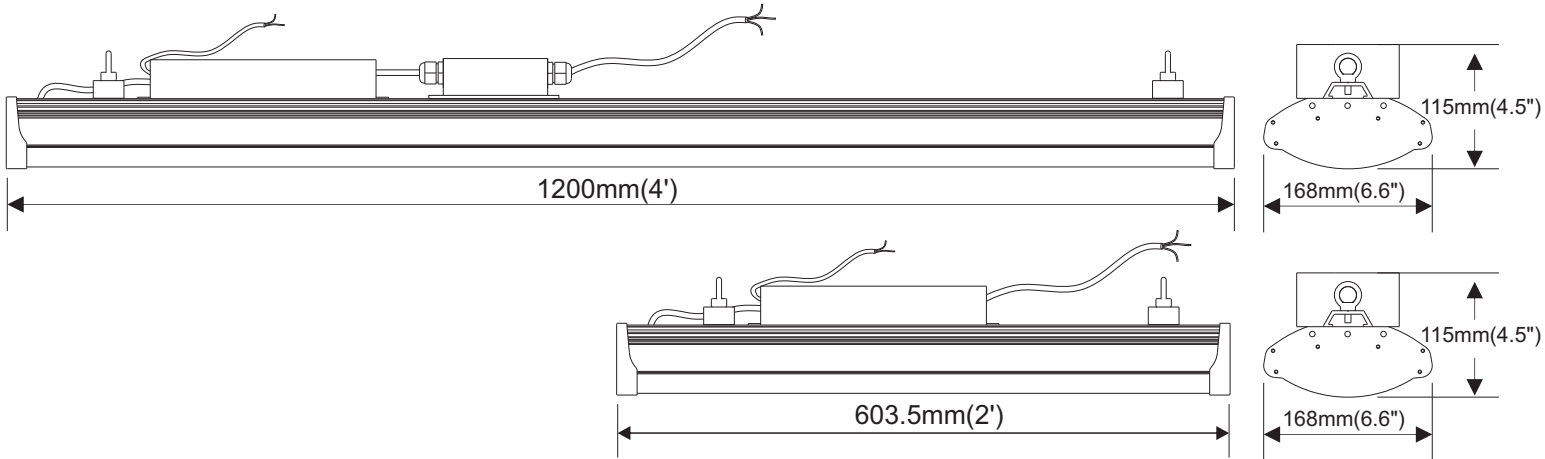
Product Series	Size	Watt	Input Voltage	CCT	Dimmable
LHB- Linear High Bay	02 - 2FT 04 - 4FT	40 - 40W 100 - 100W 150 - 150W 200 - 200W	27 - AC100-277V 34 - AC347-480V	30K - 3000K 35K - 3500K 40K - 4000K 45K - 4500K 50K - 5000K	D - Dimmable

Outline Drawing & Overall Size



5 FIVE YEARS WARRANTY

Dimension And Picture:



Specifications:

Model	Input Voltage	Power (Watts)	Luminous Flux(lm)	Color Temperature	Operating Temperature	CRI
FDK-LHB-02-40W-YY-XXK-D	AC120~277V /AC347V-480V	40	≥4400	3000K-5000K	-25°C-40°C	≥80
FDK-LHB-02-40W-YY-XXK						
FDK-LHB-04-100W-YY-XXK-D		100	≥11000			
FDK-LHB-04-100W-YY-XXK						
FDK-LHB-04-150W-YY-XXK-D		150	≥16500			
FDK-LHB-04-150W-YY-XXK						
FDK-LHB-04-200W-YY-XXK-D		200	≥22000			
FDK-LHB-04-200W-YY-XXK						

- 1). where "YY" could be 27 or 34 which denotes input voltage of 120-277V or 347-480V
- 2). where "XX" could be 30,35,40, or 50 which denotes color temperature of LED 3000K,3500K,4000K,5000K
- 3). where "D" could be Dimmable.

Product Features:

Best Green Industrial Lighting

- Ideal for warehouses, factories, cold storage, stadiums, rinks
- Not affected by cold weather
- No warm up or cool down needed
- Instant on at full output no lag time for warehouse safety

Total Green

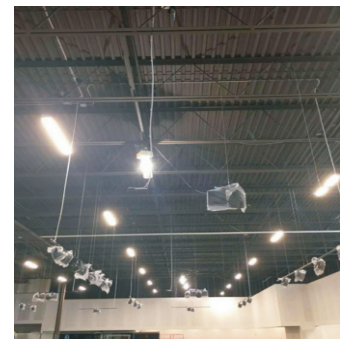
- No UV, no infraed, no radiated heat
- Cuts power consumption
- 100% Recyclable
- Cuts CO2 emissions
- RoHS certified

High Efficiency and Long Lifetime

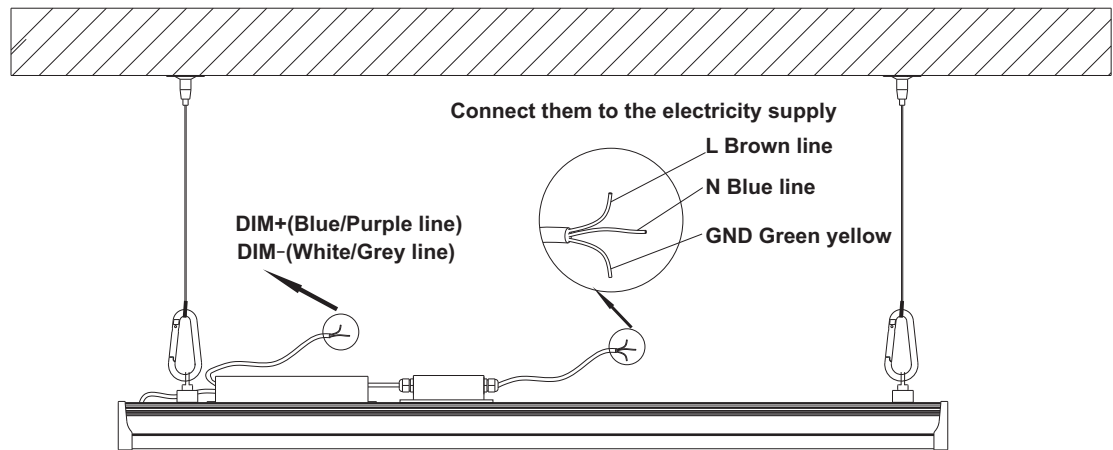
- 60% less energy than a traditional
- Engineered heat dissipation for longer life
- Rated 50,000 hrs

Application

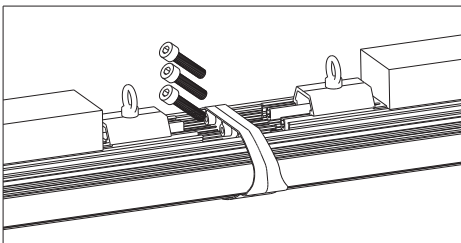
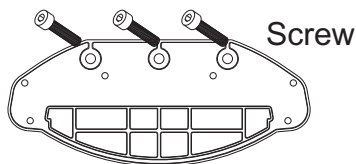
- Warehouses
- Factories
- Rinks
- Stadiums



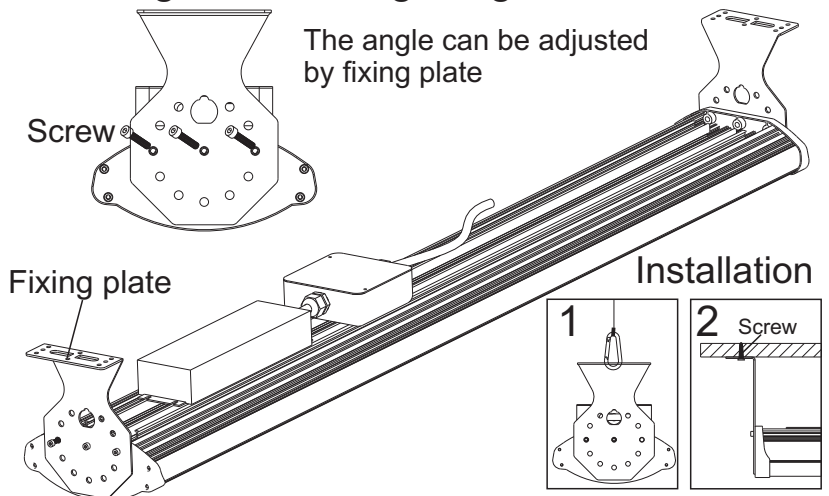
1. Suspended



2. Connect in a line



3. Ceiling and rotating-Single



3. Ceiling and rotating-Double

The angle can be adjusted by fixing plate

