

WALL PACKS

10W, 20W & 30W LED Mini Wall Pack Light

FUDAKIN Mini Wall Packs are a perfect source of light for a wide variety of applications. Its compact design provides maximum versatility and makes it the perfect Wall Pack for a broad range of commercial applications, where space and installation conditions pose a challenge. You may just choose them for their award winning design features where they will enhance the look of your facility while providing you with the industry's best lighting solution.



● Features

- Multiple mounting options including flush, ceiling, ground placement and adjustable bracket, 0 - 180 degrees
- Stylish design provides attractive look as well as high illumination
- Outstanding optical design providing an efficient light source
- Anti-glare design during evening use, enabling high safety rating
- High lumen output is ideal for illuminating large, open spaces
- Attractive styling and durability
- Wide input voltage, AC100-277V
- Suitable for wet locations
- Available in 10W, 20W and 30W
- ETL/CETL and DLC certified
- Contains no mercury

● Benefits

- Save 60% energy consumption compared to traditional lighting
- Easy installation
- Maintenance free
- High quality and reliability
- Even light distribution
- Long life

● Applications

Widely used for dark corridors, stairwells, entrances and exits, wall corners and any other areas that require illumination.



5 FIVE YEARS WARRANTY

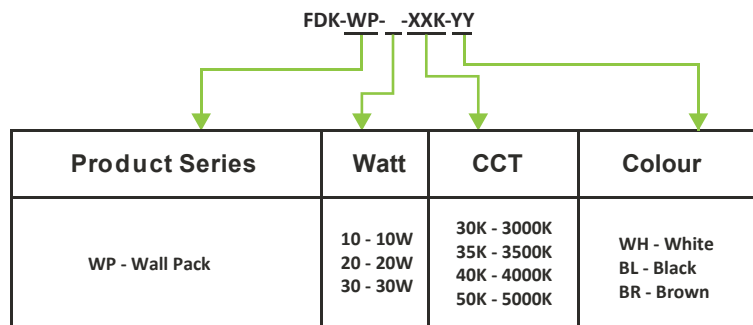
WALL PACKS

10W, 20W & 30W LED Mini Wall Pack Light

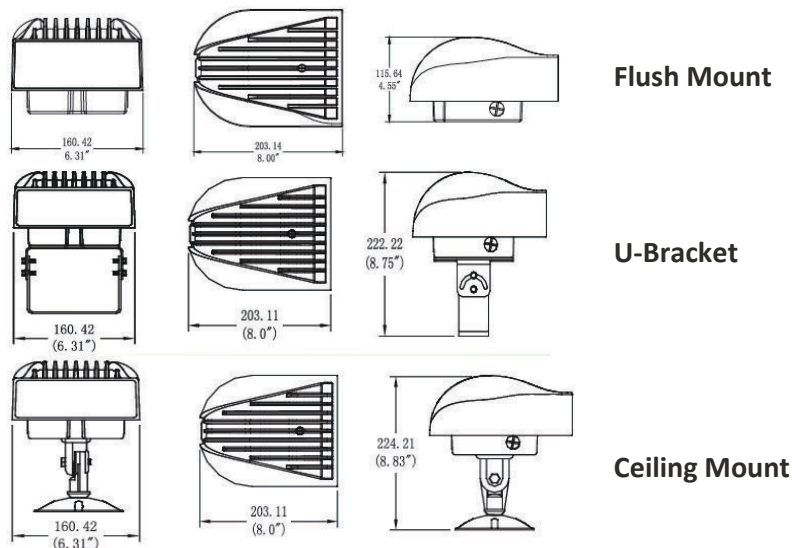
Product Parameter

Model	Watt	Input Voltage	CCT	Light Output	CRI	Beam Angle	Warranty	Material
FDK-WP-10-XXK-YY	10	AC100-277V	3000 K 3500 K 4000 K 5000 K	≥ 700 LM	≥ 80	120°	5 Years	Aluminum
FDK-WP-20-XXK-YY	20			≥ 1700 LM				
FDK-WP-30-XXK-YY	30			≥ 2300 LM				

Product Ordering code



Outline Drawing & Overall Size



Packing Information

Model	Single Product Weight (KG)	Plastic Bag or Blister			Inner Box			Carton Box			Remark
		Size(MM)	Product Qty. (PCS)	Weight (KG)	Size(MM)	Product Qty. (PCS)	Weight (KG)	Size(MM)	Inner Packing Qty.(PCS)	Weight (KG)	
FDK-WP-10-XXK-YY		/	/	/		1					Inner Box Used
FDK-WP-20-XXK-YY		/	/	/		1					Inner Box Used
FDK-WP-30-XXK-YY		/	/	/		1					Inner Box Used
		/	/	/		1					Inner Box Used



5 FIVE YEARS WARRANTY