

FUDAKIN PAR's provide spot-on illumination for all types of applications. Designed to be both tasteful and energy efficient, PAR's deliver all the benefits of high quality LED in a highly unique package.



### ● Features

- Outstanding optical design providing an efficient light source
- Direct replacement for up to 150W Halogen Bulbs by PAR38 17W
- Life span of more than 25,000 hours
- Attractive styling and durability
- Perfect for most dimmer systems with a fully dimmable range
- UL/CUL/ES certified
- Suitable for damp location (PAR38 17W suitable for wet location)

### ● Benefits

- Save 60% energy consumption compared to traditional lighting
- Easy installation and Maintenance free
- No UV or Infrared
- No radiated heat
- High quality and reliability
- Even light distribution

### ● Applications

Typical residential and commercial applications



# 3 THREE YEARS WARRANTY

### Product Parameter

Model	Watt	Input Voltage	Base Type	CCT	Light Output	CRI	Beam Angle	Warranty	Dimmable
FDK-P20-07-YYD-XXK-D	7	AC120V	E26	2700 K	≧ 470 LM	≧ 80	25° 40°	3 Years	Yes
FDK-P30-12-YYD-XXK-D	12			3000 K	≧ 850 LM				
FDK-P38-15-YYD-XXK-D	15			4000 K	≧ 1050 LM				
FDK-P38-17-YYD-XXK-D	17			5000 K	≧ 1300 LM				

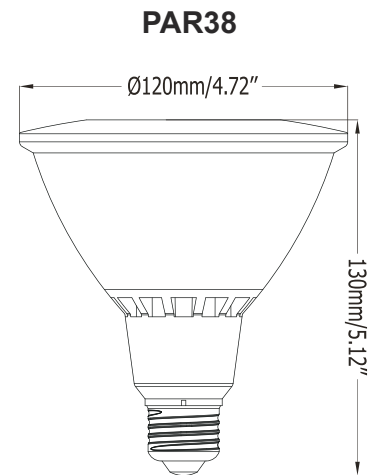
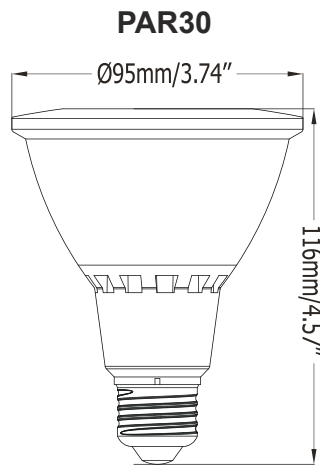
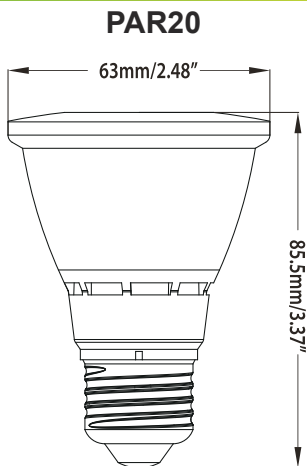
### Product Ordering code

FDK-P - -YYD-XXK-D

Product Series	Watt	Beam Angle	CCT	Dimmable
P20: PAR20-F2 P30: PAR30-F2 P38: PAR38-F2	07 - 7W 12 - 12W 15 - 15W 17 - 17W	25D - 25 degree 40D - 40 degree	30K - 3000 K 35K - 3500 K 40K - 4000 K 50K - 5000 K	D - Dimmable

\*F2 is an indicator code of Fudakin

### Outline Drawing & Overall Size



# 3 THREE YEARS WARRANTY