

Non-Metallic Pop-In Connector



*FDK-PIC-12-X-Y



*FDK-PIC-34-X-Y

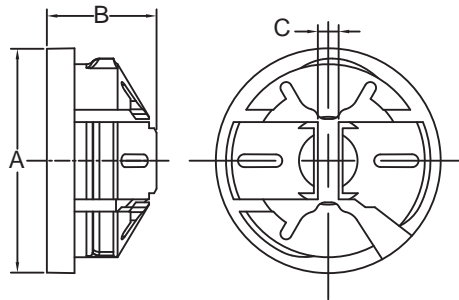
*Where X could be 1,2, 3, 4..., which denotes the series number of manufacturer; Y could be BL, GR, BL, GE..., which denotes color of the part.

For NM cable.

FEATURES AND BENEFITS

- Listed for both 1 or 2 cables
- Installs easily...snaps into KO using light finger pressure
- Cables insert without a struggle for a smooth installation
- Holds wires securely—meets and exceeds UL pullout tests
- Simple to remove with a twist of a screwdriver

CATALOG NUMBER	COLOR	UPC CODE	TRADE SIZE	KO SIZE	UNIT PKG	STD PKG	DIM A	DIM B	DIM C
FDK-PIC-12-1-BL	BLACK	857782006788	3/8	1/2	250	1000	1.009	0.492	0.093
FDK-PIC-12-1-GR	GREY	TBC	3/8	1/2	250	1000	1.009	0.492	0.093
FDK-PIC-12-1-BU	BLUE	TBC	3/8	1/2	250	1000	1.009	0.492	0.093
FDK-PIC-34-1-BL	BLACK	857782006795	3/4	3/4	50	500	1.280	0.587	0.039
FDK-PIC-34-1-GR	GREY	TBC	3/4	3/4	50	500	1.280	0.587	0.039
FDK-PIC-34-1-BU	BLUE	TBC	3/4	3/4	50	500	1.280	0.587	0.039



INSTALLATION INSTRUCTIONS

1. Disconnect electrical power. Insert connector into knockout.
2. Push non-metallic sheathed cable into the connector to desired length.



REMOVAL
If necessary, the NM Pop-In Connector series may be removed with a screwdriver.

1. Slip screwdriver under NM connector and twist.
2. Connector pops out of the knockout.



The Fudakin NM Pop-In Connector offers the fastest method of installing single or multiple cables.

For multiple cable installations:

- Two cables may be inserted together
- A second cable may be added without removing the first

Plus, the Fudakin NM Pop-In Connector meets cULus requirements for single or multiple cables.

Cable Ranges:

FDK-PIC-12-X-Y	One 6/2 - 14/2	FDK-PIC-34-X-Y	One 6/2 - 14/2
	One 12/4		One 6/3 - 14/3
	Two 10/2 - 14/2		One 12/4
	One 10/3 - 14/3		Two 10/2 - Two 14/2
	One 10/2 and One 14/2		Two 10/3 - Two 14/3
	One 12/2 and One 14/2		One 14/2 - One 12/2
	One 10/2 and One 12/2		One 14/2 - One 10/2
	Two 14/3		
	Two 12/3		