

INSTRUCTION MANUAL

FOR

FLACK BOOKCASE
(Model No. 5555-12-345-6789)

This page is intentionally blank.

INTRODUCTION

Thank you for purchasing this product. Please read these instructions carefully before using this product and save this manual for future use.

WARNINGS

1. Failure to follow these instructions may result in personal injury or damage to the bookcase. If injury occurs, seek immediate medical attention.
2. The bookcase is heavy. Use two people to lift. Failure to comply may result in personal injury or damage to the bookcase. If injury occurs, seek immediate medical attention.
3. Use a drill and drywall anchor (not included) to secure the bookcase to the wall when there is no stud behind it. Failure to comply may result in personal injury or damage to the bookcase. If injury occurs, seek immediate medical attention.

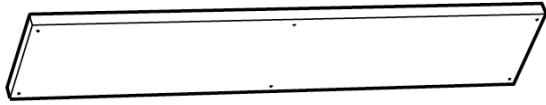
CAUTION

Assemble the bookcase on carpeted area or covered surface. Failure to comply may result in damage to the bookcase or the surface beneath.

NOTES

1. All images are not to size.
2. Wall materials may vary, so a longer screw (not included) for attaching the bookcase to the wall may be necessary.
3. If you have questions regarding the bookcase assembly, please call Furniture Express at 1-800-555-1212 or send an email to support@furnitureexpress.net.

TOOLS AND PARTS INCLUDED



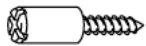
Bookcase Side
Qty. 2



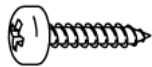
Bookcase Shelf
Qty. 5



Hex Head Screw, #104323
Qty. 12



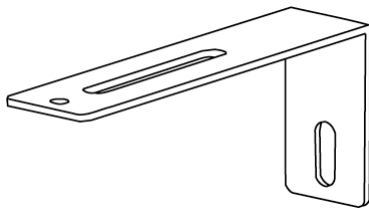
Cross Tip Shelf Screw, #101560
Qty. 8



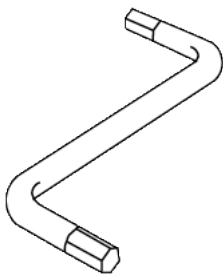
Cross Tip Screw, #100049
Qty. 2



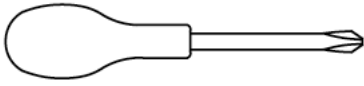
Flat Washer, #100823
Qty. 2



L-Bracket, #102133
Qty. 1



Hex Key, Mini 4mm, #100001
Qty. 1

ADDITIONAL TOOLS REQUIRED (NOT SUPPLIED)

Screwdriver, Cross Tip, #2

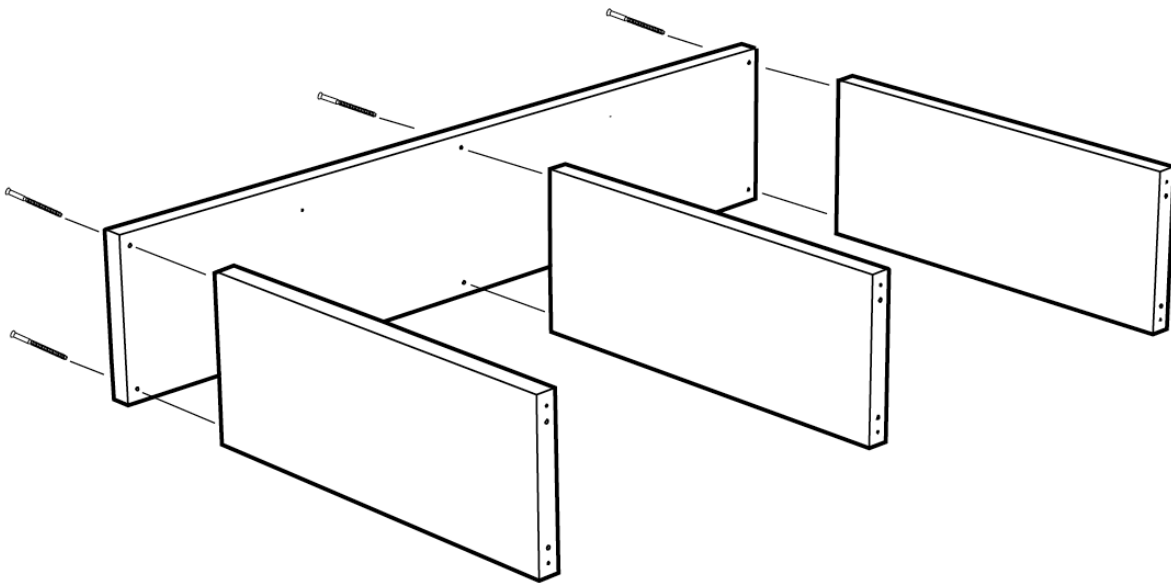


Pencil

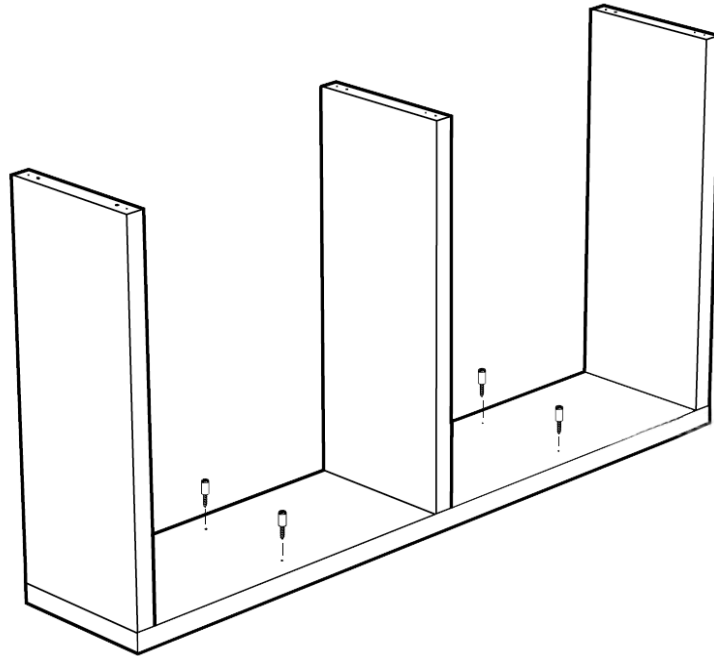
ASSEMBLY INSTRUCTIONS**NOTE**

Illustrations follow each set of steps.

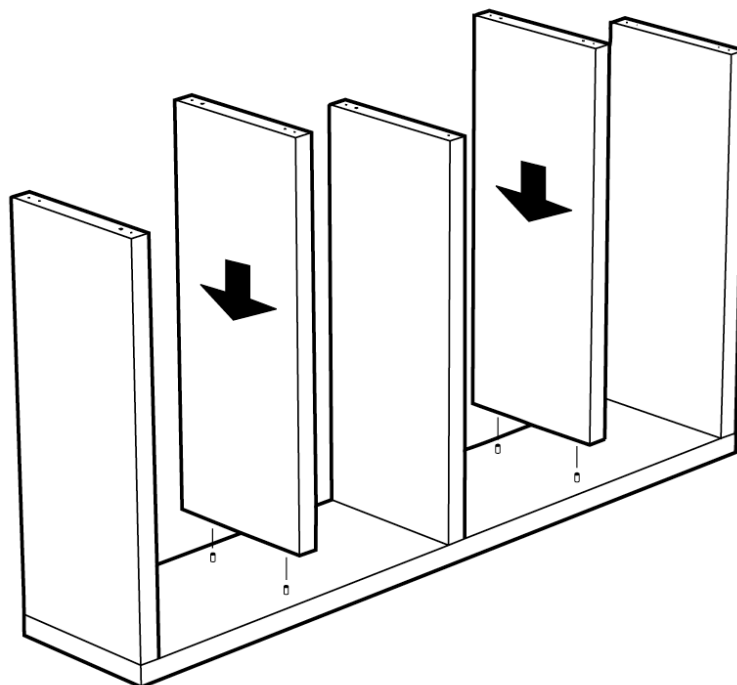
1. Lay one bookcase side on a flat surface on its long edge.
2. Align the holes of one bookcase shelf with the top or bottom holes of the bookcase side.
3. Attach the bookcase shelf to the bookcase side with two hex head screws using the hex key.
4. Repeat steps 1 through 3 at the opposite end and middle holes of the bookcase side.



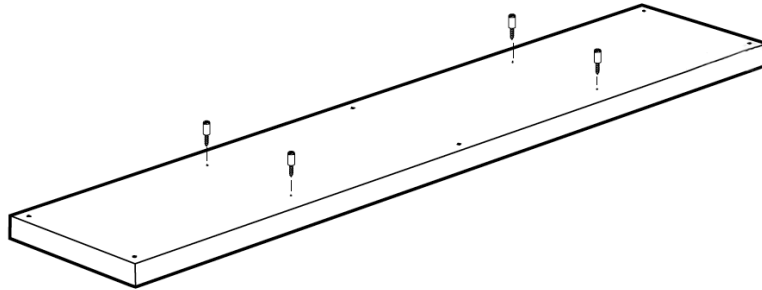
5. Lay the bookcase side down on the flat surface with the bookcase shelves sticking up in the air.
6. Attach four cross-tip shelf screws to the bookcase side's remaining holes using a cross tip screwdriver.



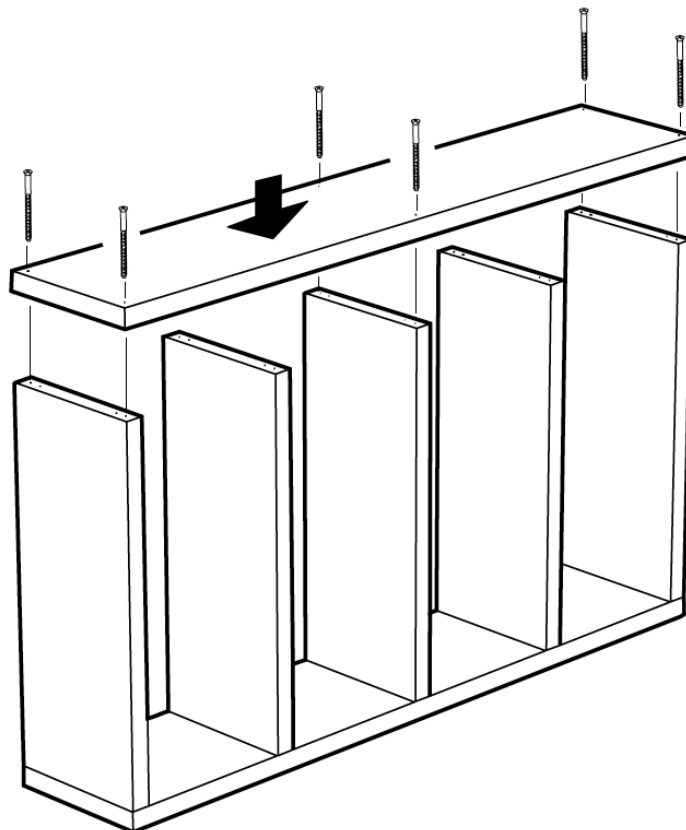
7. Lower the two remaining bookcase shelves onto the cross-tip shelf screws.



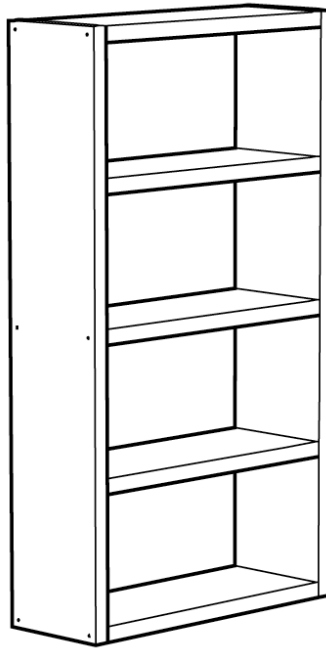
8. Lay the remaining bookcase side on a flat surface with the holes facing up.
9. Attach four cross-tip shelf screws to the bookcase side's second and fourth rows of holes using a cross tip screwdriver.



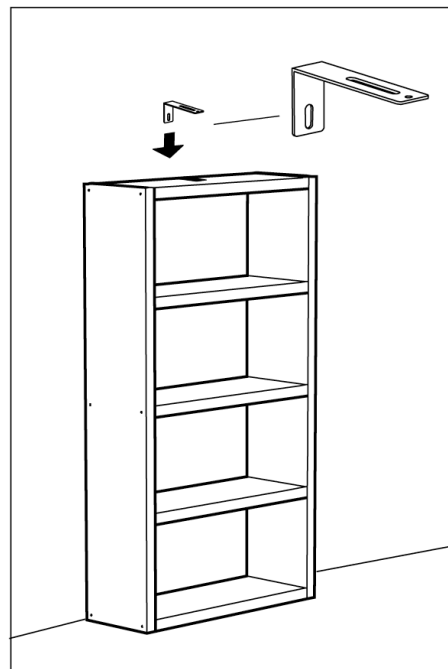
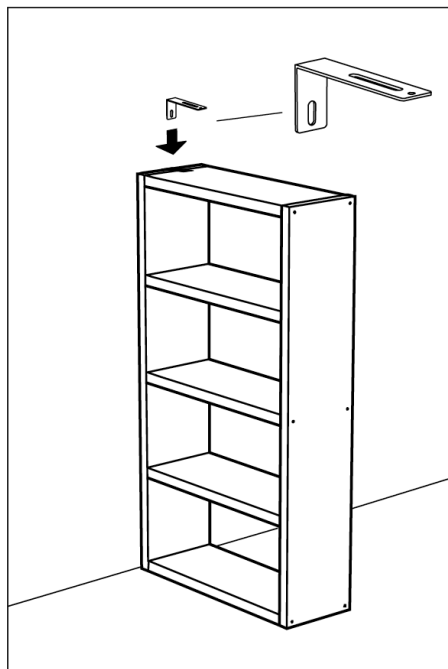
10. Flip the second bookcase side over and lay it on the bookcase shelves, aligning the cross-tip shelf screws with the second and fourth shelves and pushing down gently so the cross-tip shelf screws seat themselves in the holes.
11. Attach the bookcase side to the top or bottom bookcase shelf with two hex head screws using the hex key.
12. Repeat step 11 at the opposite end and middle holes of the bookcase side.



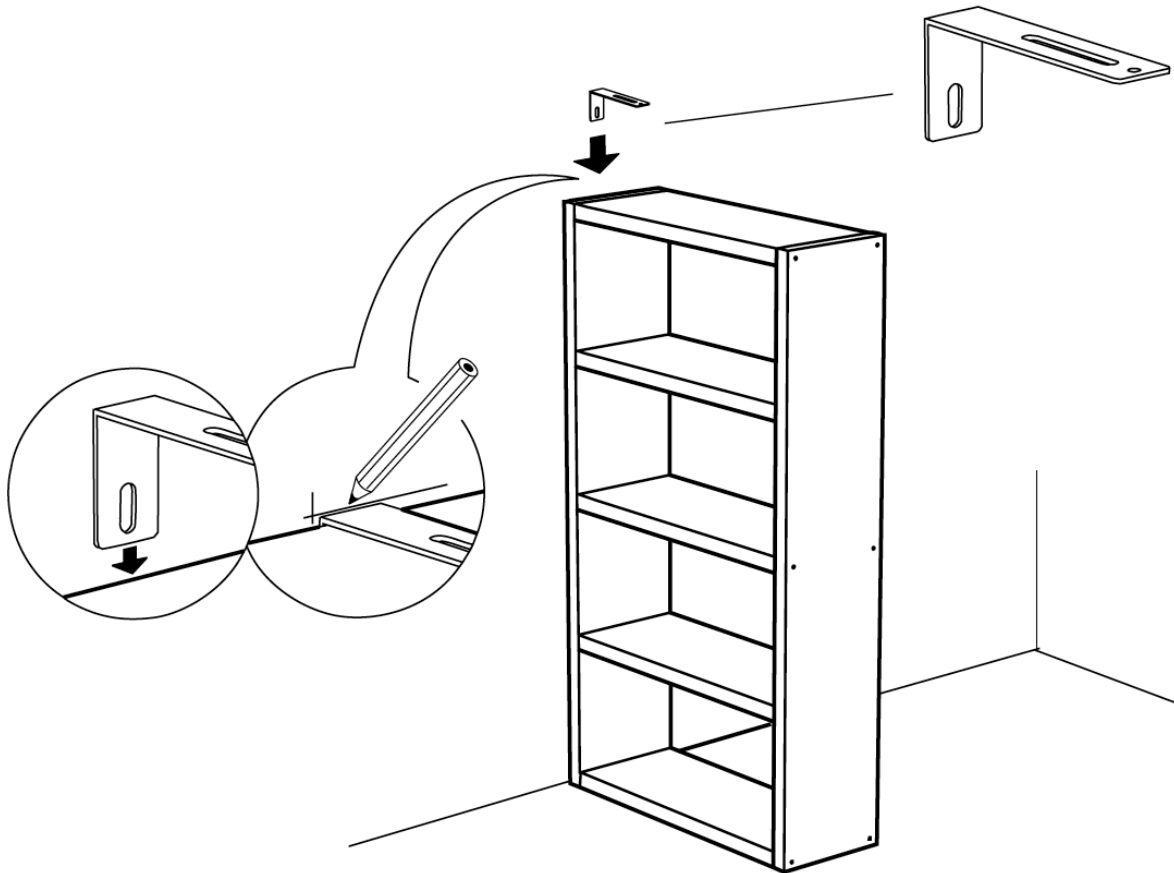
13. Flip the bookcase so it stands upright.



14. Move the assembled bookcase to its new location.
15. Lay the L bracket in the top middle of the bookcase with the shorter end resting against the wall behind the bookcase.



16. Mark the edge of the L bracket on the wall using a pencil.



17. Move the assembled bookcase away from the wall.

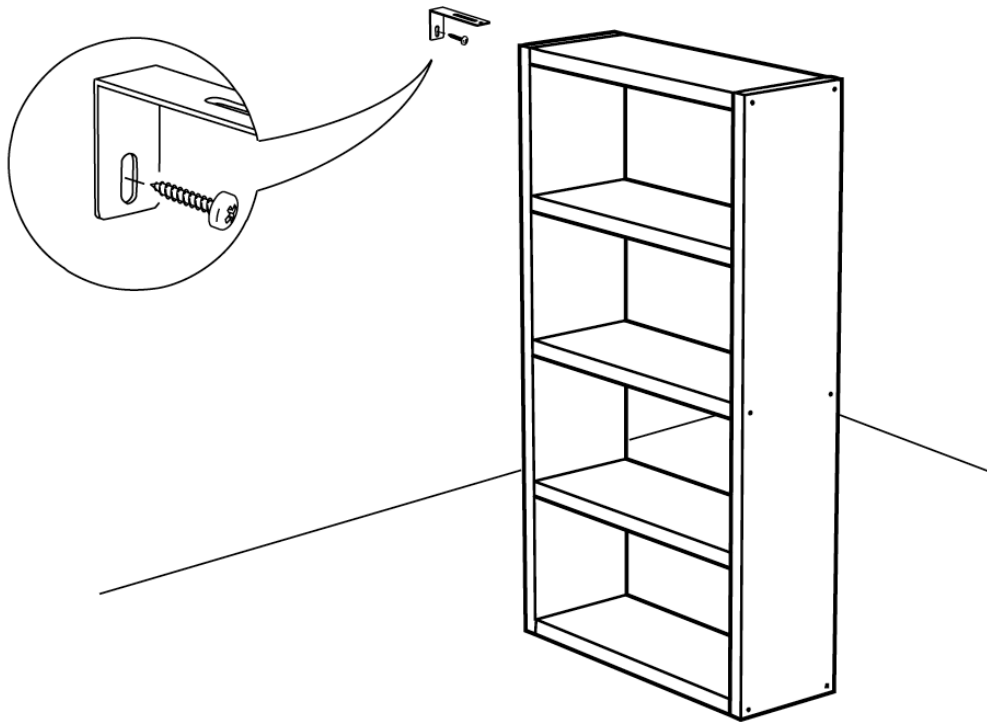
WARNING

Use a drill and drywall anchor (not included) to secure the bookcase to the wall when there is no stud behind it. Failure to comply may result in personal injury or damage to the bookcase. If injury occurs, seek immediate medical attention.

NOTE

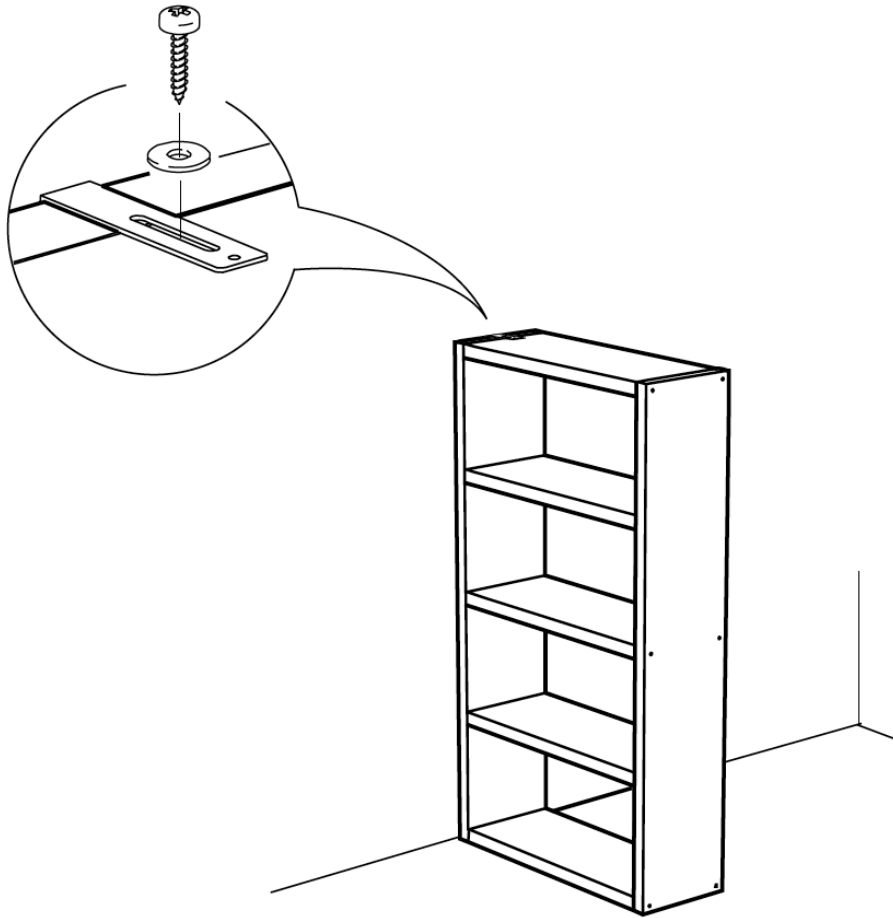
Wall materials may vary, so a longer screw (not included) for attaching the bookcase to the wall may be necessary.

18. Secure the shorter end of the L bracket to the wall with one cross-tip screw using a cross tip screwdriver.

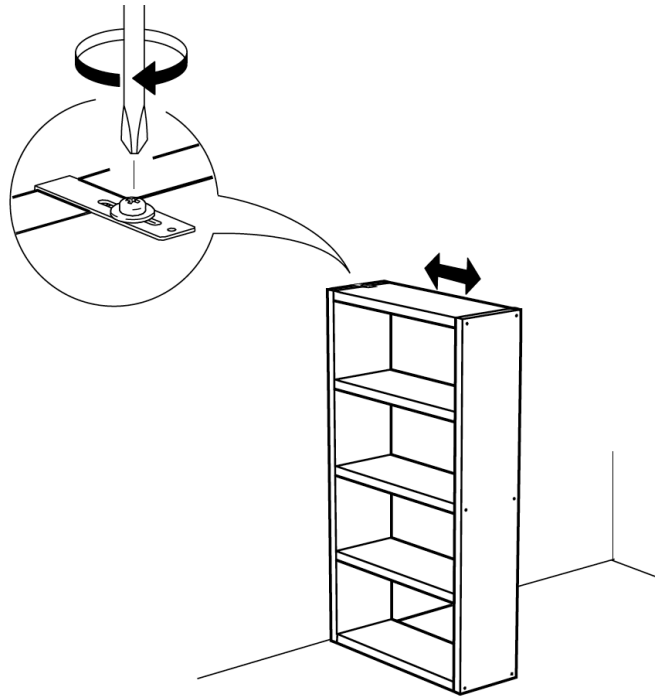


19. Move the assembled bookcase back to its original location.

20. Place one flat washer and one cross-tip screw along the opening in the L bracket.
21. Secure the long edge of the L bracket to the bookcase using a cross tip screwdriver. Do not tighten completely.



22. Adjust the bookcase angle to the wall as necessary and tighten the cross-tip screw completely using a cross tip screwdriver.



23. Place one flat washer and one cross-tip screw in the hole at the end of the L bracket.

24. Tighten the L bracket to the bookcase completely using a cross tip screwdriver.

