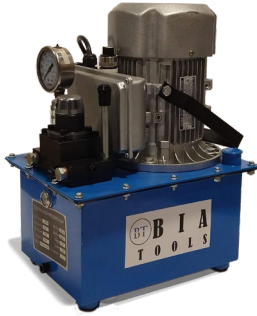
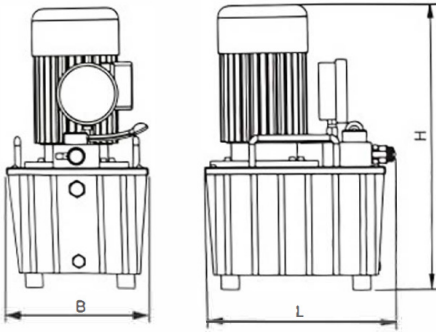


02 PUMPS



EEP SERIES

- Plunger design improve effective pressure on low voltage.
- Overload pressure protection.
- Lightweight and compact design.



Model	Type	Valve	Power		Usable Oil		Pressure (Bar)		Pressure (Psi)	
			kW	HP	L	Gallon	1 st Stage	2 nd Stage	1 st Stage	2 nd Stage
EEP-VM	S.A.	Manual	0.75	1.0	7.0	1.5	70	700	1000	10000
EEP-VE	S.A.	Elect. /w Handle remote	0.75	1.0	7.0	1.5	70	700	1000	10000
EEP-VEF	S.A.	Elect. /w Foot remote	0.75	1.0	7.0	1.5	70	700	1000	10000

Model	Oil Capacity (cm ³)		Oil Capacity (in ³)		Dimensions mm			Dimensions inch			Weight	
	1 st Stage	2 nd Stage	1 st Stage	2 nd Stage	L	B	H	L	B	H	kg	lbs
EEP-VM	-	900	-	55	350	271	510	13.78	10.67	20.08	26	57.3
EEP-VE	5000	900	305	55	350	271	510	13.78	10.67	20.08	28	61.7
EEP-VEF	5000	900	305	55	350	271	510	13.78	10.67	20.08	28	61.7