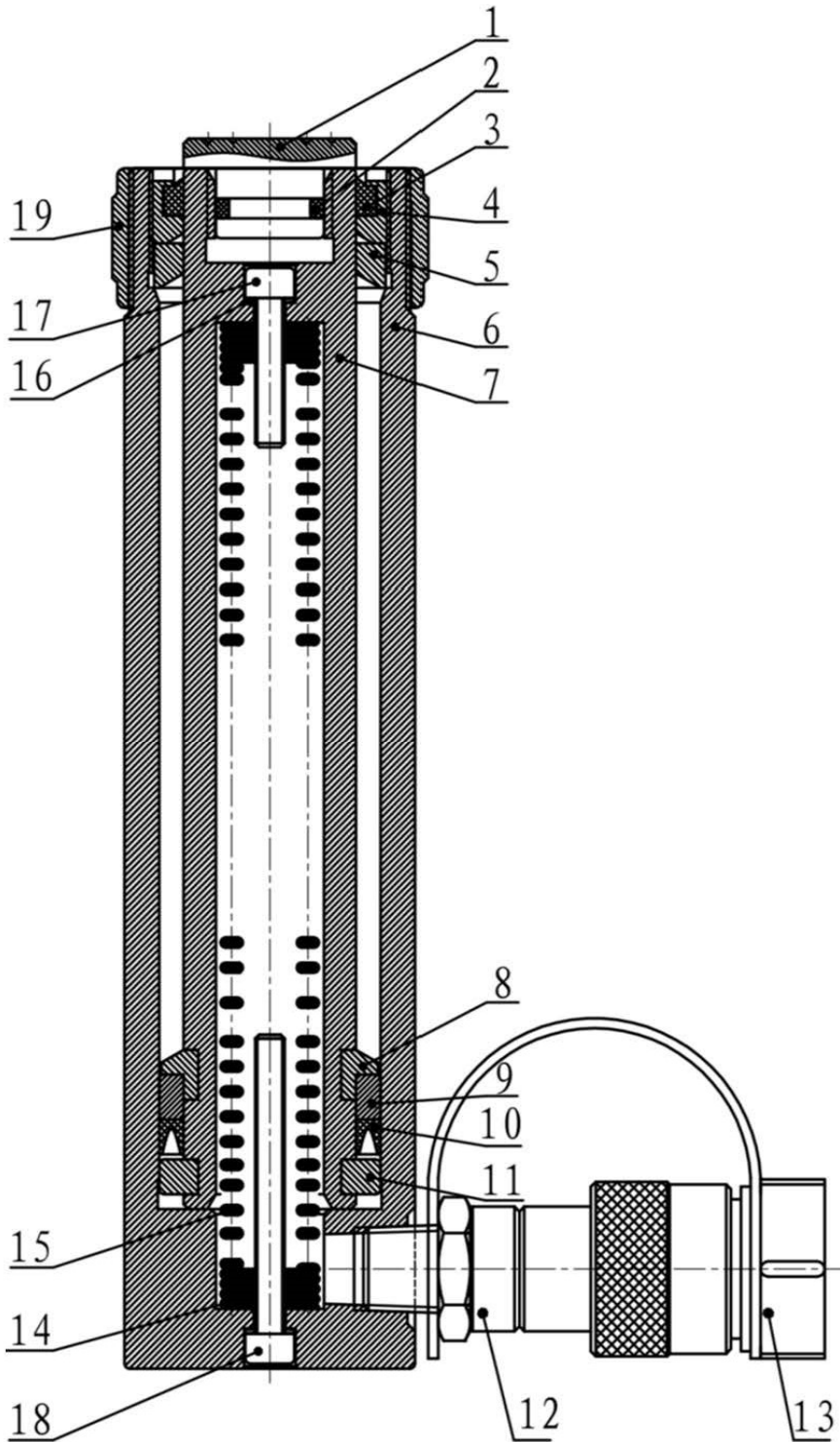


Single-Acting Cylinders - SRC series

Doc. : L1001A Date : 2019/01



Item NO.	Description	Qty	Part NO.
			SRC5 series
1	Lifting head (Item #2 included)	1	2.001.01034
2	O- ring	1	-
3	/	/	/
4	Guide cap	1	2.001.00764
5	Front guide ring	1	2.001.02742
6	Oil cylinder	1	2.001.02745 (SRC5-25)
		1	2.001.00594 (SRC5-76)
		1	2.001.02766 (SRC5-127)
		1	02.001.02764 (SRC5-177)
		1	2.001.02741 (SRC5-232)
7	Piston rod	1	2.001.02744 (SRC5-25)
		1	2.001.01129 (SRC5-76)
		1	2.001.02767 (SRC5-127)
		1	2.001.02765 (SRC5-177)
		1	2.001.02740 (SRC5-232)
8	/	/	/
9	Front guide sleeve	1	2.001.01771
10	U- ring (General hole shaft)	1	●
11	Back guide sleeve	1	2.001.01775
12	Female connector	1	1.3.025.00004
13	Connector protective jacket for NPT3/8"	1	1.3.097.00002
14	Spring connecting head	2	-
15	Returning spring (Item #14 included)	1	2.001.02743 (SRC5-25)
		1	1.3.011.00052 (SRC5-76)
		1	1.3.011.00053 (SRC5-127)
		1	1.3.011.00054 (SRC5-177)
		1	1.3.011.00055 (SRC5-232)
16	Copper gasket	2	●
17	Hexagon socket head cap screws	1	●
	Hexagon socket head cap screws	1	●
18	Hexagon socket head cap screws	1	●
	Hexagon socket head cap screws	1	●
19	Thread protector	1	2.001.01124
●	Repair kit	1	SRC5-RK