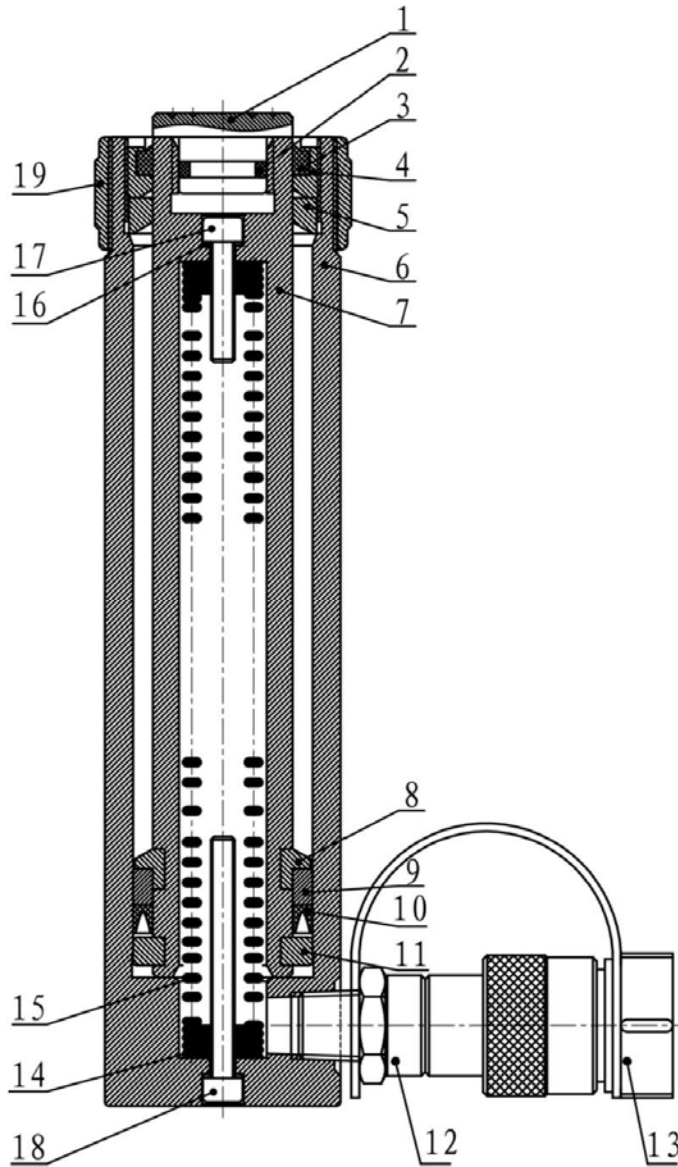


Single-Acting Cylinders - SRC series

Doc. : L1002A Date : 2019/01



Item NO.	Description	Qty	Part NO.
			SRC10 series
1	Lifting head (Item #2 included)	/	N/A (SRC10-26)
		1	2.001.01342
2	O- ring	/	/
3	J-dustband	1	●
4	Guide cap	1	2.001.01343 (SRC10-26)
		1	2.001.00487 (SRC10-54, SRC10-105)
		1	2.001.01345 (SRC10-156 and more)
5	Front guide ring	/	N/A (SRC10-26, SRC10-54, SRC10-105)
		1	2.001.02306
6	Oil cylinder	1	2.001.00636 (SRC10-26, SRC10-54)
		1	2.001.01291 (SRC10-105)
		1	2.001.01343 (SRC10-156)
		1	2.001.01346 (SRC10-203)
		1	2.001.01416 (SRC10-257)
		1	2.001.01442 (SRC10-304)
7	Piston rod	1	2.001.02674 (SRC10-26)
		1	2.001.00637 (SRC10-54)
		1	2.001.01292 (SRC10-105)
		1	2.001.01344 (SRC10-156)
		1	2.001.01347 (SRC10-203)
		1	2.001.01441 (SRC10-257)
		1	2.001.01451 (SRC10-304)
8	Semi-Ring	/	N/A (SRC10-26, SRC10-54, SRC10-105)
		1	2.001.01779
9	Front guide sleeve	/	N/A (SRC10-26, SRC10-54, SRC10-105)
		1	2.001.01777
10	U- ring (General hole shaft)	1	●
11	Back guide sleeve	/	N/A (SRC10-26, SRC10-54, SRC10-105)
		1	2.001.01778
12	Female connector	1	1.3.025.00004
13	Connector protective jacket for NPT3/8"	1	1.3.097.00002
14	Spring connecting head	2	see #15
15	Returnning spring (Item #14 include)	1	1.3.011.00076 (SRC10-26)
		1	1.3.011.00027 (SRC10-54)
		1	1.3.011.00057 (SRC10-105)
		1	1.3.011.00058 (SRC10-156)
		1	1.3.011.00059 (SRC10-203)
		1	1.3.011.00060 (SRC10-257)
		1	1.3.011.00061 (SRC10-304)
1	1.3.011.00062 (SRC10-356)		
16	Copper gasket	2	●
17	Hexagon socket head cap screws	1	●
	Hexagon socket head cap screws M6x30	1	●
18	Hexagon socket head cap screws M6x20	1	●
	Hexagon socket head cap screws M6x30	1	●
19	Thread protector	1	2.001.01336
●	Repair kit	1	SRC10-RK