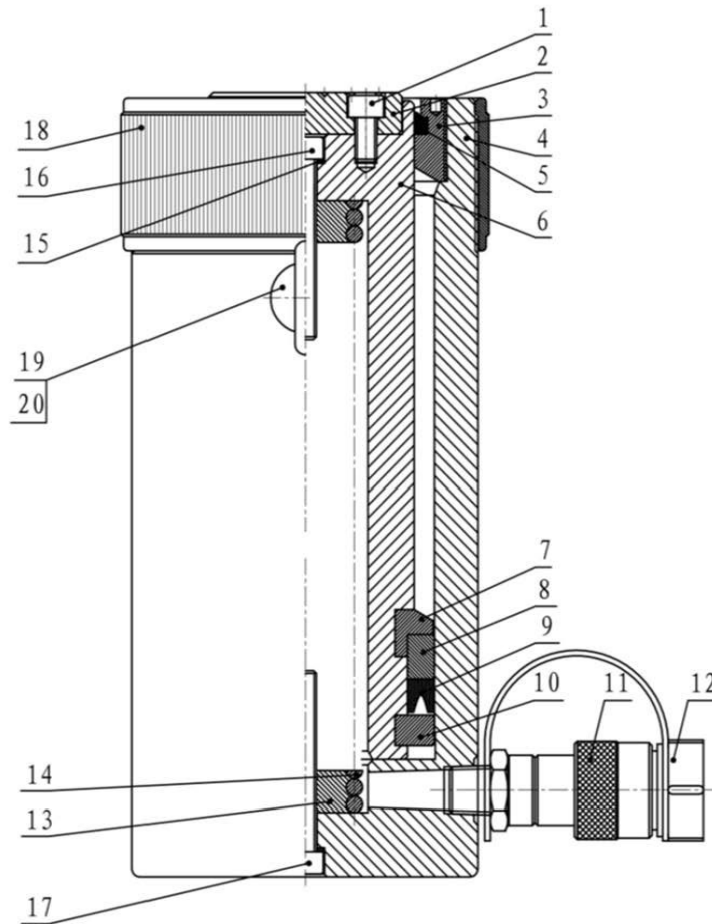


Single-Acting Cylinders - SRC series

Doc. : L1009A Date : 2019/01



Item NO.	Description	Qty	Part NO.
			SRC75 series
1	Hexagon socket head cap screws	2	-
2	Lifting head (Item #1 included)	1	2.001.00501
3	Guide cap	1	2.001.03113
4	Oil cylinder	1	2.001.00790 (SRC75-156)
5	J-dustband	1	2.001.00669 (SRC75-333)
6	Piston rod	1	•
7	Semi-ring	1	2.001.00791 (SRC75-156)
8	Front guide sleeve	1	2.001.00671 (SRC75-333)
9	U- ring (General hole shaft)	1	2.001.01812
10	Back guide sleeve	1	2.001.01810 (SRC75-156)
11	Female connector	1	2.001.00674 (SRC75-333)
12	Connector protective jacket for NPT3/8"	1	1.3.025.00004
13	Spring connecting head	2	1.3.097.00002
14	Returning spring (Item #13 included)	1	-
15	Copper gasket	2	1.3.011.00032 (SRC75-156)
16	Hexagon socket head cap screws	1	1.3.011.00028 (SRC75-333)
17	Hexagon socket head cap screws (full thread)	1	•
18	Thread protector	1	•
19	Lifting bolt (Item #20 included)	2	2.001.01601
20	Hexagon nut	2	1.3.009.00005
•	Repair kit	1	-
			SRC75-RK