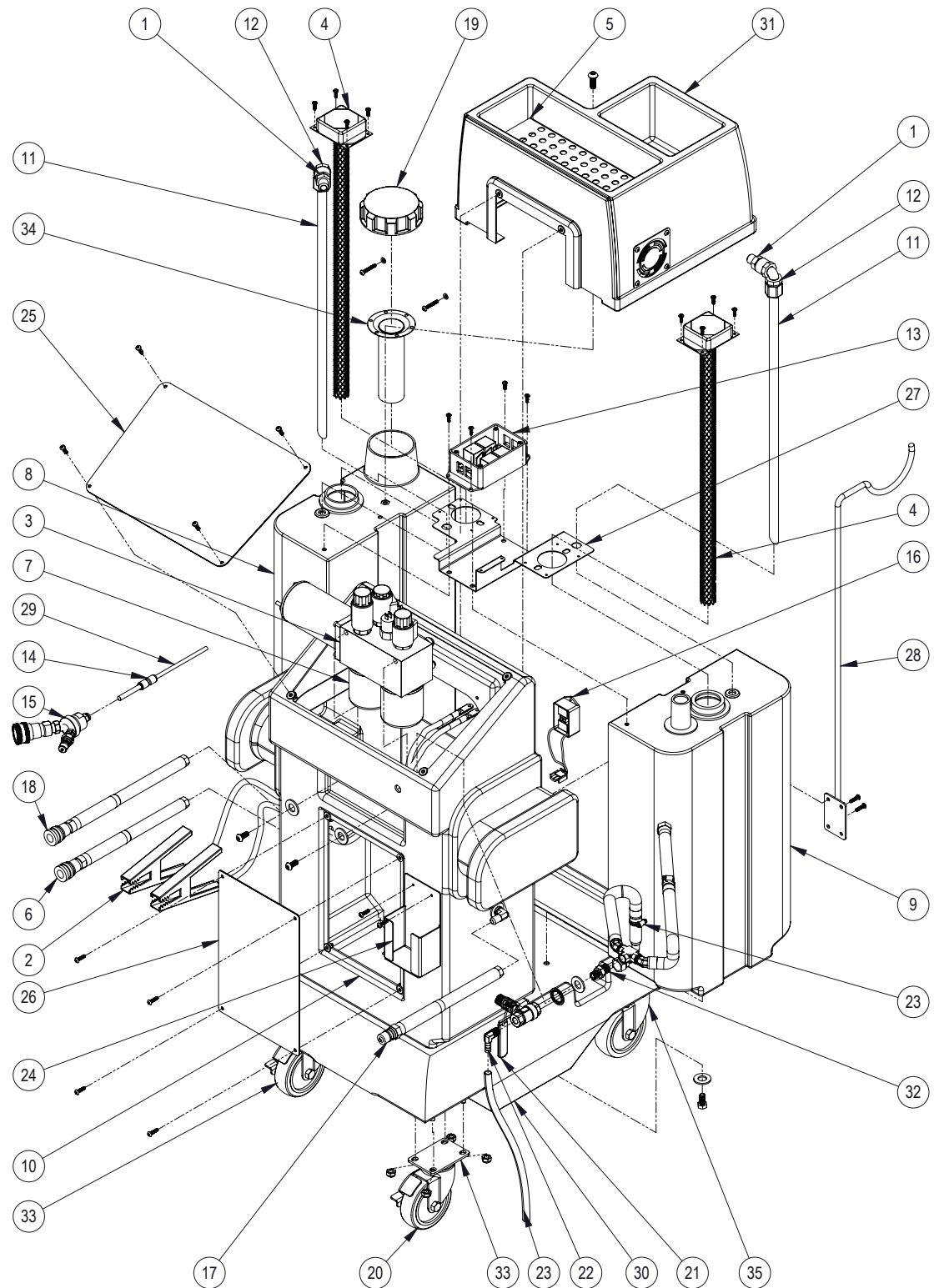


ITEM NO.	PART NO.	DESCRIPTION	QTY.
1	940125	MALE CONNECTOR 1/2 NPT X 1/2 JIC	2
2	940307	6 GA BATTERY CABLES	1
3	940468	MANIFOLD W/RPUMP NO PRO PORT	1
4	940474	FLUID LEVEL SENSOR SHORT	2
5	940772	HOSE TRAY	1
6	940785	SERVICE HOSE (BLACK)	1
7	940796A	CANISTER FILTER	2
8	941202	NEW FLUID TANK	1
9	941203	USED FLUID TANK	1
10	941205	CONSOLE - BLACK	1
11	941225	TUBE ALUMINUM 5/8 X 23.81	2
12	941226	ELBOW PLASTIC FEMALE 1/2NPT X 5/8TU	2
13	941617W	MOTOR CONTROL BOX	1
14	941708	ADAPTER - DIPSTICK REDUCER HOSE	1
15	941716W	"Y" MANIFOLD FOR DIPSTICK SERVICE MACHINES	1
16	941726OV	OVER - VOLTAGE PROTECTOR	1
17	941728	SERVICE HOSE (GREY)	1
18	941786	SERVICE HOSE (RED)	1
19	942113	TANK CAP	1
20	942137W	WHEEL ONLY 4" CASTERS	4
21	40200455	BALL VALVE WITH SPRING HANDLE 1/4" NPT	1
22	40200483	ELBOW 1/4 X 3/8	1
23	40200591	NEW TANK INTERNAL HOSE SET	1
24	40300262	BOTTLE HOLDER	1
25	40300298	PANEL - OVERLAY ASSEMBLY	1
26	40300305	SERVICE PANEL - OVERLAY ASSEMBLY	1
27	P941234	TANK BRACKET- BLACK FORMED	1
28	P941725	SHORT SHEPHERD HOOK ASSEMBLY	1
29	R940557	5/16" X 6' POLY TUBE (PER FT.)	1
30	R940750	CHASSIS - BLACK	1
31	R940752	TOP - BLACK	1
32	R940817	HEX NIPPLE 3/8 X 1/4 NPT	1
33	R942118	CASTER 4" WITH BRAKE	2
34	R942129	SCREEN BASKET	1
35	R942137	CASTER 4" SWIVEL	2



**EW87501**  
**TRANSMISSION FLUID EXCHANGE MACHINE**  
**W/ DIPSTICK MODE**