



SCIE

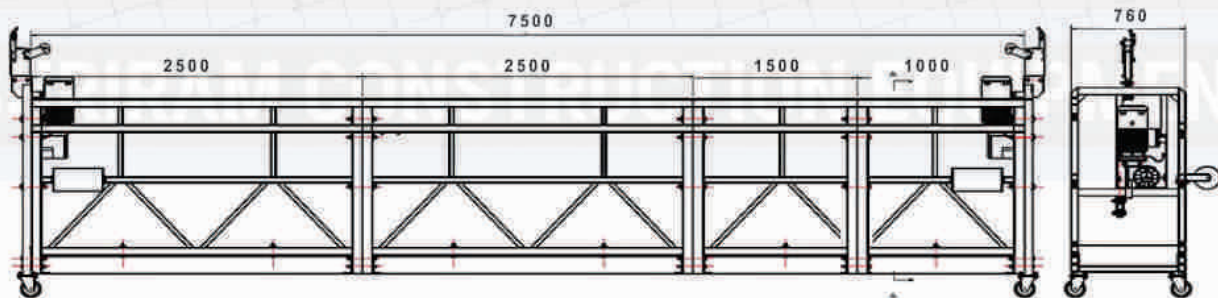
SHRIRAM CONSTRUCTION EQUIPMENT



WWW.SHRIRAMCONSTRUCTION.COM

Steel Suspended Platform- Hot Galvanized

Model :- **ZLP - 800**



Technical Details

Model - ZLP 800

Platform size 2.5 Meter x 2 no.s = 5 Meter

1.5 Meter + 1.0 Meter = 2.5 Meter

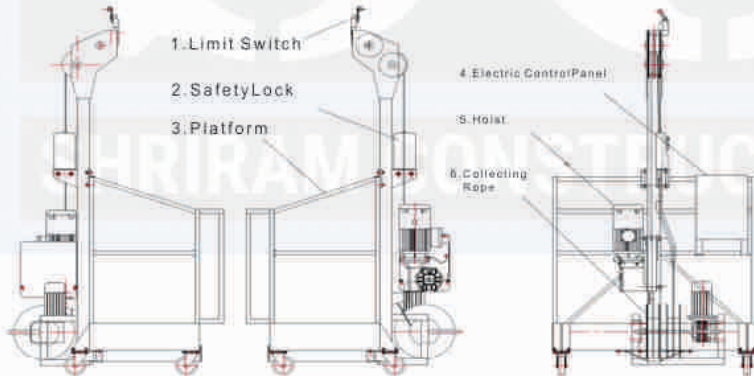
Total= 7.5 Meter

| | |
|--|---|
| Material of Platform | M.S. Steel Platform & Beta Dip Hot Galvanized |
| Maximum Height | 100 Meter (IT CAN BE INCREASED) |
| Recommended Height | 70 Meter (Above 70 Meter check wind pressure at higher heights) |
| Ascend Speed (Working/ Lifting Speed) | 9-11m/min |
| Maximum Weight Carrying Capacity (Uniformly Disturbed) | 800 k.g. |
| Platform Size (L x W x H) | 7500 mm (2500 mm x 2 + 1500mm + 1000mm) (Modular) |
| Wire Rope | 4 no.s wire ropes of Dia 9.1mm & 100 Mtr. Length Each are provided minimum breaking force – 74 KN |
| Wire rope | 4 x 31 Sw –FC- 9.1- 100 Meter |
| ELECTRIC MOTOR | |
| Power | 1.8kW x 2 no.s |
| Voltage | AC 415v 3 phase |
| Breaking Torque | 15 Nm |
| Safety lock Tilt- proof | Safety lock (2 No.s) |
| Suspended Mechanism | M.S. – Hot Galvanized |
| Height Adjustment | 1.15m to 1.75m |
| Front Beam extension | 1200mm – to 1750mm (The load carrying capacity will proportionately decrease when the extent is more than 1.5m) |
| Structure Weight Approx. | 1000 K.g. |
| Counter Weight | 1000 k.g. |
| Whole Machine Weight | 2000 k.g. Approx... |

Suspension Galvanized roof support devices telescopic arm and counter weight.

Steel Suspended Platform- Hot Galvanized

Model :-ZLP - 150



Technical Details

Model - ZLP 150

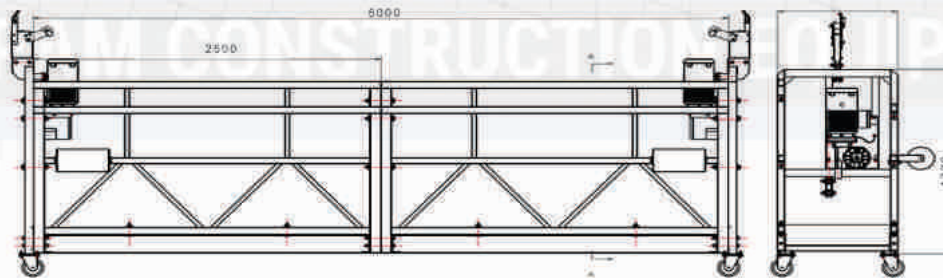
Platform size 1.2 Meter x 1no.s = 1.2 Meter

| | |
|---|---|
| Material of Platform | M.S. Steel Platform & Beta Dip Hot Galvanized |
| Maximum Height | 100 Meter (IT CAN BE INCREASED) |
| Recommended Height | 70 Meter (Above 70 Meter check wind pressure at higher heights) |
| Ascend Speed (Working/ Lifting Speed) | 9-11m/min |
| Maximum Weight Carrying Capacity (Uniformly Disturbed) | 150 k.g. |
| Platform Dimension (L x W x H) | 1200 X 690 X 1180 |
| Wire Rope | 1no.s wire ropes of Dia 9.1mm & 100 Mtr Length Each are provided minimum breaking force – 74 KN |
| Wire rope | 4 x 31 Sw +FC- 9.1mm- 100 Meter |
| ELECTRIC MOTOR | |
| Power | 1.5 kW x 1no.s |
| Voltage | AC 415v 3 phase |
| Rotation Speed | 1400 r/min |
| Breaking Torque | 15 Nm |
| Weight | 55 k.g. x 1 no. |
| Suspended Mechanism | M.S. – Hot Galvanized |
| Height Adjustment | 1150mm ~1650mm (adjustable distance 100) |
| Front Beam extension | 1300mm Maximum (The load carrying capacity will proportionately decrease when the extent is more than 1.1 mm) |
| Structure Weight Approx. | 500 K.g. |
| Safety Lock Quantity | 1 piece |
| Allowable impulsive force kn | 20 kn |
| Weight | 6 k.g. x 1 no. |
| Suspended Platform | 200 k.g. |
| Electric Control Box | 1 k.g. |
| Counter Weight | 500 k.g. |
| Whole Machine Weight | 1000 k.g. Approx... |

Suspension Galvanized roof support devices telescopic arm and counter weight.

Steel Suspended Platform- Hot Galvanized

Model :-ZLP - 500



Technical Details

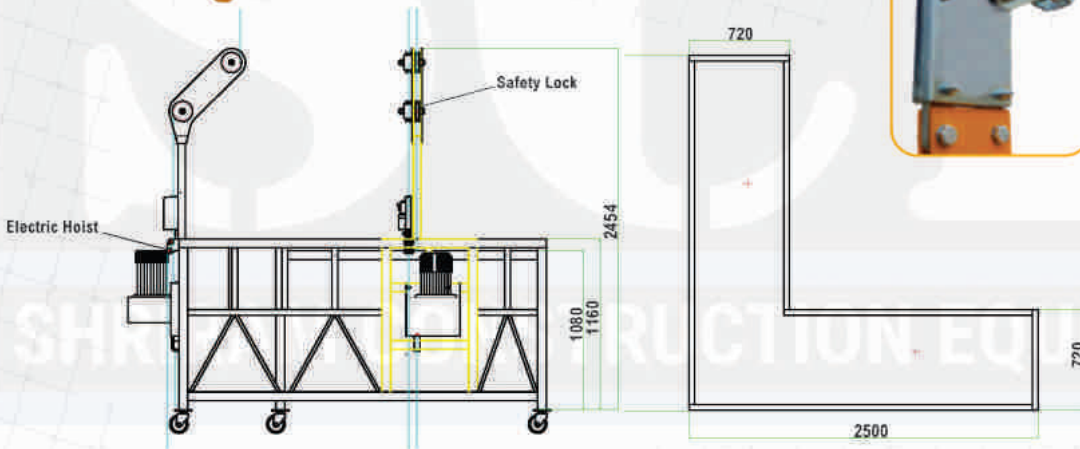
Model - ZLP 800

Platform size 2.5 Meter x 2 no.s = 5 Meter
Total= 5 Meter

| | |
|---------------------------------------|---|
| Material of Platform | M.S. Steel Platform & Beta Dip Hot Galvanized |
| Maximum Height | 100 Meter (IT CAN BE INCREASED) |
| Recommended Height | 70 Meter (Above 70 Meter check wind pressure at higher heights) |
| Ascend Speed (Working/ Lifting Speed) | 9-11m/min |
| Maximum Weight Carrying Capacity | (Uniformly Disturbed) 500 k.g |
| Platform Size (L x W x H) | 5000 mm (2500 mm x 2) |
| Wire Rope | 4 no.s wire ropes of Dia 9.1mm & 100 Mtr Length Each are provided minimum breaking force – 74 KN |
| Wire rope | 4 x 31 Sw +FC- 9.1mm- 100 Meter |
| ELECTRIC MOTOR | |
| Power | 1.1 kW x 2 no.s |
| Voltage | AC 415v 3 phase |
| Breaking Torque | 15 Nm |
| Safety lock Tilt- proof | Safety lock (2 No.s) |
| Suspended Mechanism | M.S. – Hot Galvanized |
| Height Adjustment | 1.15m to 1.75m |
| Front Beam extension | 1200mm – to 1750mm (The load carrying capacity will proportionately decrease when the extent is more than 1.5m) |
| Structure Weight | Approx. 650 K.g. |
| Counter Weight | 1000 k.g. |
| Whole Machine Weight | 1650 k.g. Approx... |

Suspension Galvanized roof support devices telescopic arm and counter weight

Steel Suspended Platform- Hot Galvanized L- Profile



Technical Details

L-Profile

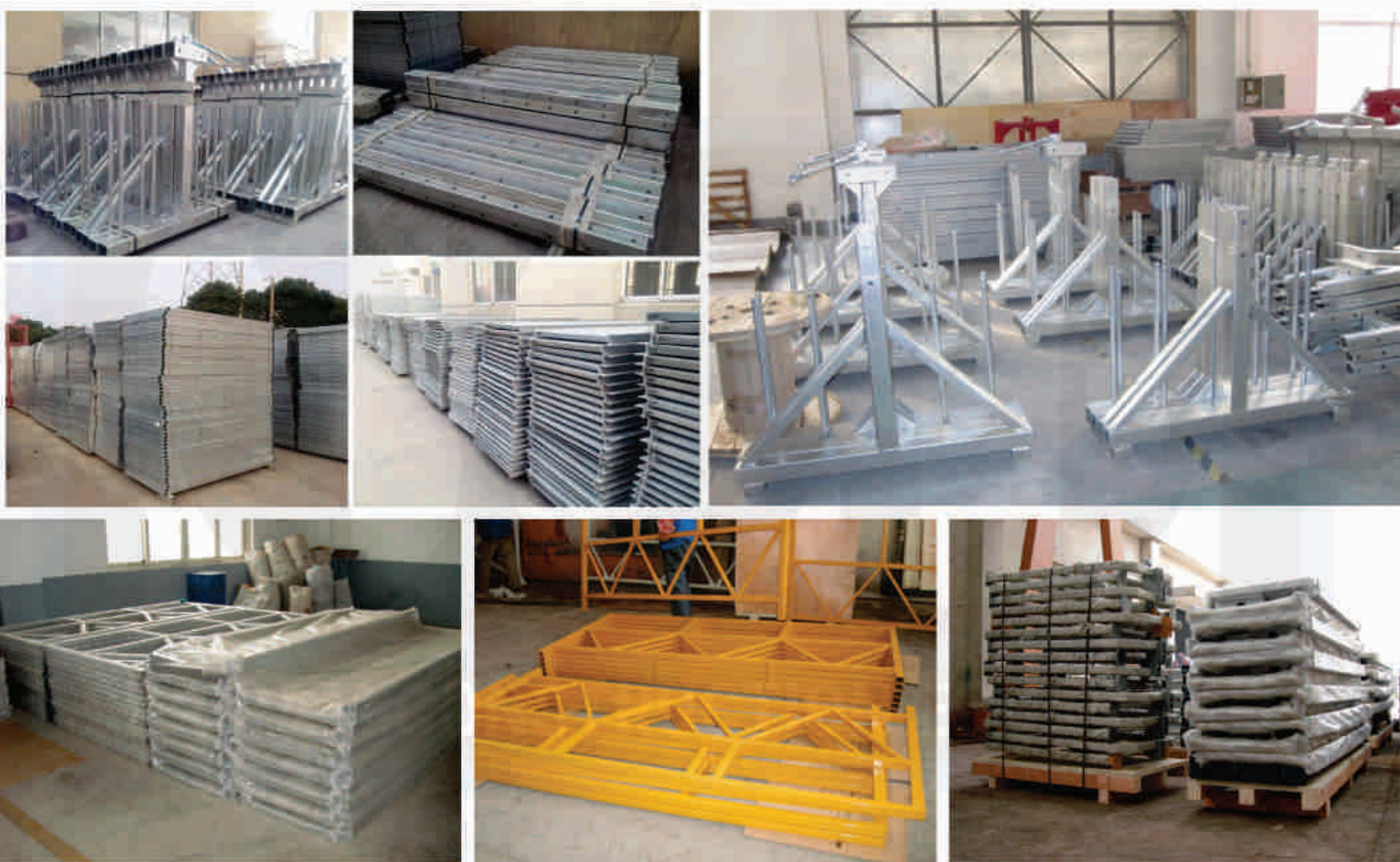
Platform size 2.5 Meter x 2 no.s = 5 Meter
Total= 5 Meter

| | |
|---------------------------------------|---|
| Material of Platform | M.S. Steel Platform & Beta Dip Hot Galvanized |
| Maximum Height | 100 Meter (IT CAN BE INCREASED) |
| Recommended Height | 70 Meter (Above 70 Meter check wind pressure at higher heights) |
| Ascend Speed (Working/ Lifting Speed) | 9-11m/min |
| Maximum Weight Carrying Capacity | (Uniformly Disturbed) 500 k.g |
| Platform Size (L x W x H) | 5000 mm (2500 mm x 2) |
| Wire Rope | 4 no.s wire ropes of Dia 9.1mm & 100 Mtr Length Each are provided minimum breaking force – 74 KN |
| Wire rope | 4 x 31 Sw +FC- 9.1mm- 100 Meter |
| ELECTRIC MOTOR | |
| Power | 1.1 kW x 2 no.s |
| Voltage | AC 415v 3 phase |
| Breaking Torque | 15 Nm |
| Safety lock Tilt- proof | Safety lock (2 No.s) |
| Suspended Mechanism | M.S. – Hot Galvanized |
| Height Adjustment | 1.15m to 1.75m |
| Front Beam extension | 1200mm – to 1750mm (The load carrying capacity will proportionately decrease when the extent is more than 1.5m) |
| Structure Weight | Approx. 650 K.g. |
| Counter Weight | 1000 k.g. |
| Whole Machine Weight | 1650 k.g. Approx... |

Suspension Galvanized roof support devices telescopic arm and counter weight

Stock

WWW.SHIRAMCONSTRUCTION.COM



SCE

SHRIRAM CONSTRUCTION EQUIPMENT



SHRIRAM CONSTRUCTION EQUIPMENT

**Address : 1125 11th Floor Gaur City Mall
Sec 4 Greater Noida West
Uttar Pradesh 201306 INDIA**

Contact no : +91-9654408776 / +91-9205116671

E-mail id : info@shriramconstruction.com

Website : www.shriramconstruction.com

WWW.SHIRAMCONSTRUCTION.COM