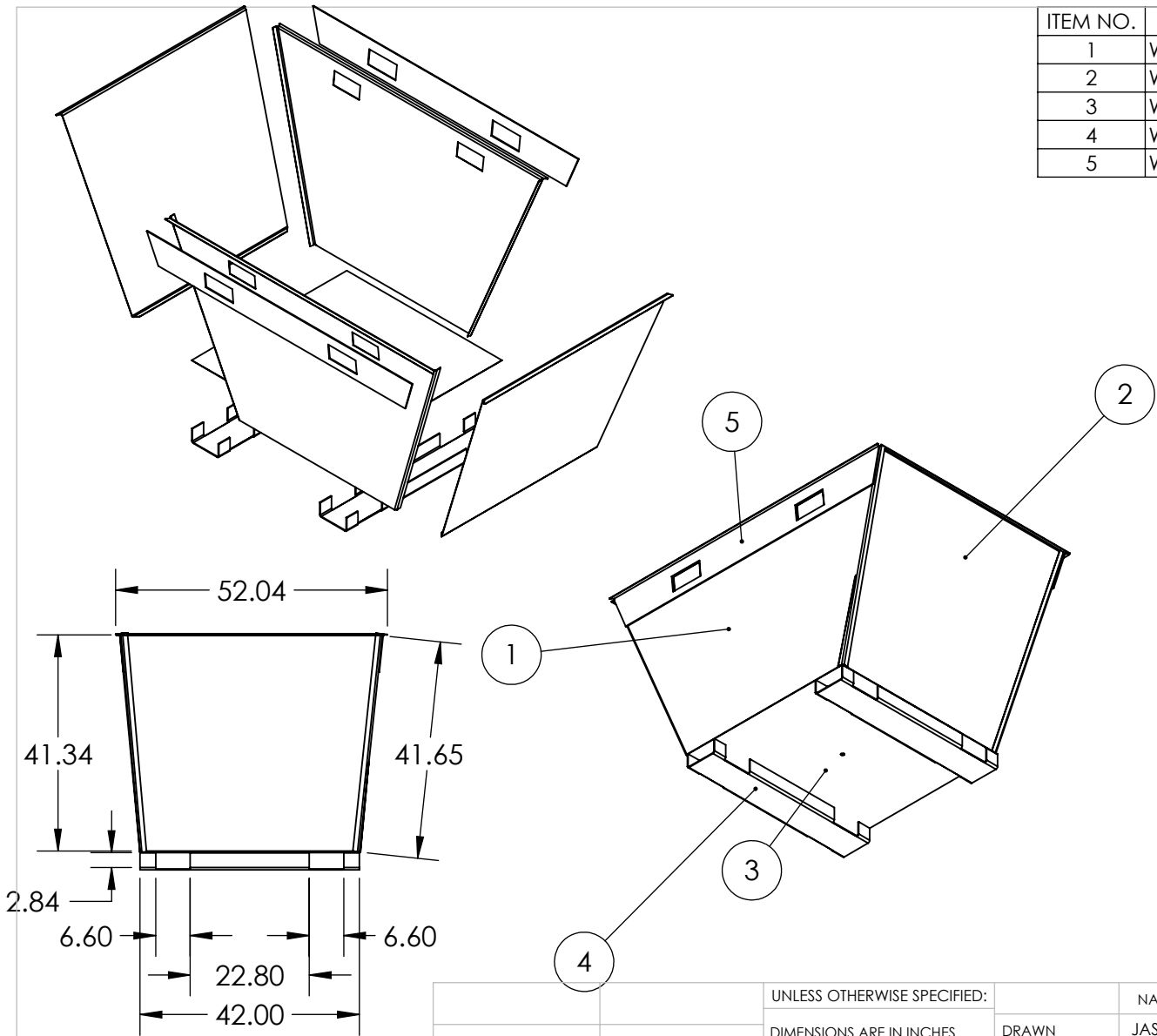
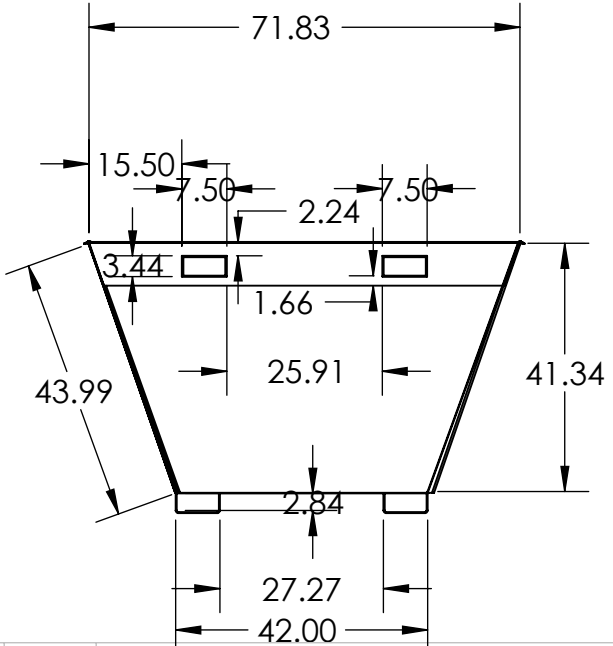
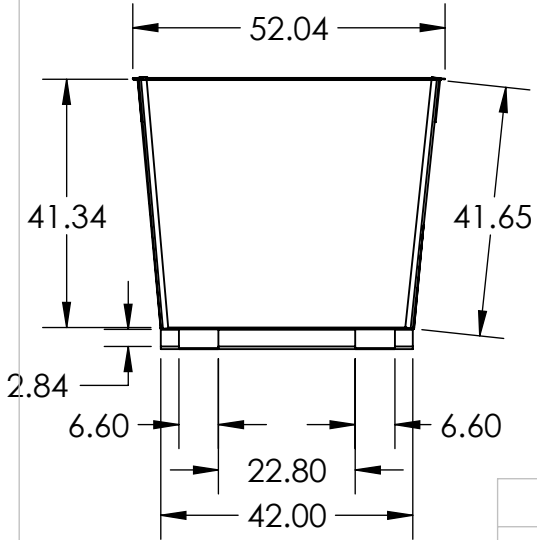


ITEM NO.	PART NUMBER	DESCRIPTION	QTY.
1	WB-00-0001	POCKET SIDE PLATE	2
2	WB-00-0002	SIDE PLATE	2
3	WB-00-0003	FLOOR PLATE	1
4	WB-00-0004	FORK POCKETS	2
5	WB-00-0005	POCKET DOUBLER	2



CAPACITY: 2.13 cu. yd.



EZ-SPOT-UR

PROPRIETARY AND CONFIDENTIAL
 THE INFORMATION CONTAINED IN THIS DRAWING IS THE SOLE PROPERTY OF EZ-SPOT-UR. ANY REPRODUCTION IN PART OR AS A WHOLE WITHOUT THE WRITTEN PERMISSION OF EZ-SPOT-UR IS PROHIBITED.

		UNLESS OTHERWISE SPECIFIED:	NAME	DATE
		DIMENSIONS ARE IN INCHES	DRAWN	JASON
		TOLERANCES:	CHECKED	
		FRACTIONAL ±	ENG APPR.	
		ANGULAR: MACH ± BEND ±	MFG APPR.	
		TWO PLACE DECIMAL ±	Q.A.	
		THREE PLACE DECIMAL ±	COMMENTS:	
NEXT ASSY	USED ON	INTERPRET GEOMETRIC TOLERANCING PER:		
		MATERIAL		
		FINISH		
APPLICATION		DO NOT SCALE DRAWING		

TITLE:		
SIZE	DWG. NO.	REV
A	WB-01-0001 - 2.13 CU YD WASTE BIN	
SCALE: 1:32	WEIGHT: 416.18 LBS.	SHEET 1 OF 1