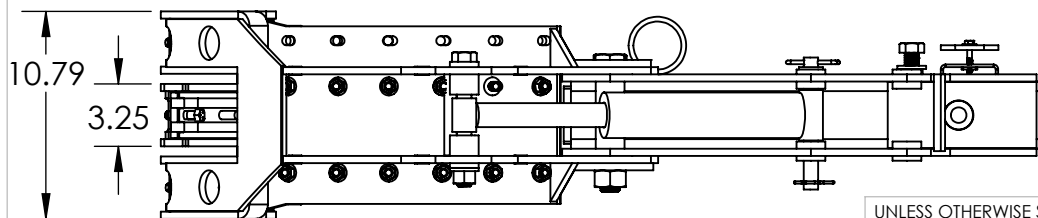
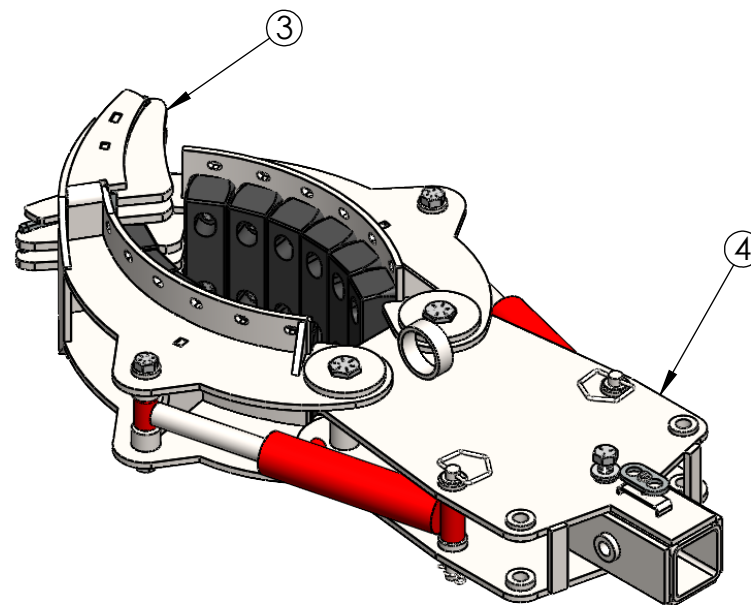
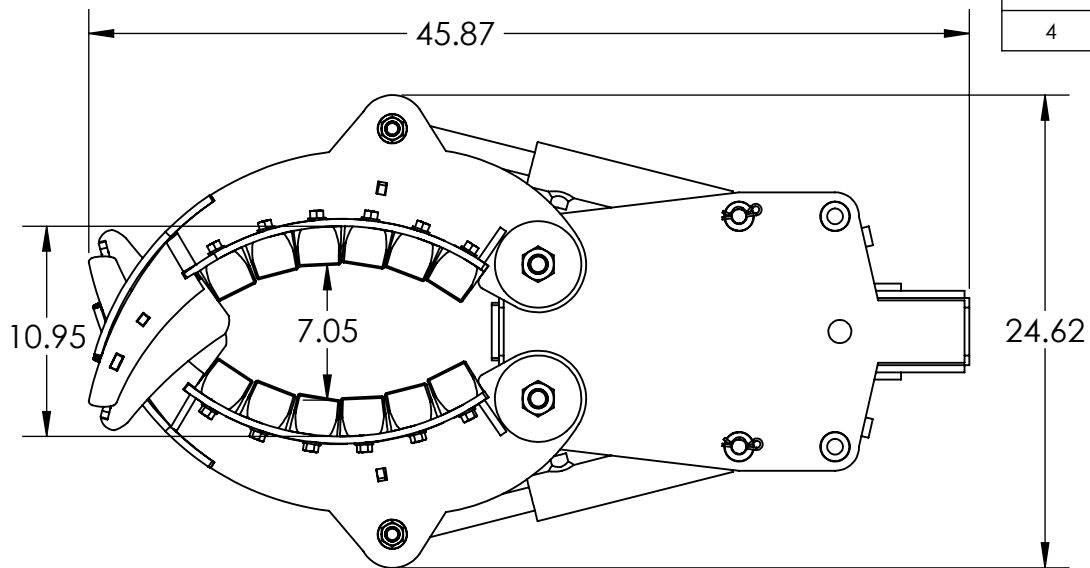


ITEM NO.	PART NUMBER	DESCRIPTION	QTY.
1	FA13160	7/16"-14 x 1-3/4" GRADE 5 ZINC FINISH HEX CAP SCREW	6
2	FA0166989	7/16"-14 GRADE F ZINC FINISH STEEL FLANGE TOP LOCK NUT	6
3	RF-01-0001	EXTENTION ARM ROCK FINGER	3
4	TH-01-3008	THREE FINGER TREE HAND CLOSED FRONT PIVOT	1



UNLESS OTHERWISE SPECIFIED:

DIMENSIONS ARE IN INCHES
 TOLERANCES:
 FRACTIONAL ±
 ANGULAR: MACH ± BEND ±
 TWO PLACE DECIMAL ±
 THREE PLACE DECIMAL ±

INTERPRET GEOMETRIC
 TOLERANCING PER:

MATERIAL

FINISH

DO NOT SCALE DRAWING

	NAME	DATE
DRAWN	BEVAN	8/16/2021
CHECKED		
ENG APPR.		
MFG APPR.		
Q.A.		
COMMENTS:		

EZ-SPOT-UR

TITLE:

3 FINGER TREE HAND WITH
 INSERTS

SIZE	DWG. NO.	REV
A	TH-01-3020-A - 3 FINGER TREE HAND WITH ROCK TIPS	

SCALE: 1:10 WEIGHT: 269.07 LBS SHEET 1 OF 4

PROPRIETARY AND CONFIDENTIAL

THE INFORMATION CONTAINED IN THIS
 DRAWING IS THE SOLE PROPERTY OF
 EZ-SPOT-UR. ANY REPRODUCTION IN PART
 OR AS A WHOLE WITHOUT THE WRITTEN
 PERMISSION OF EZ-SPOT-UR IS PROHIBITED.

NEXT ASSY	USED ON	APPLICATION

5

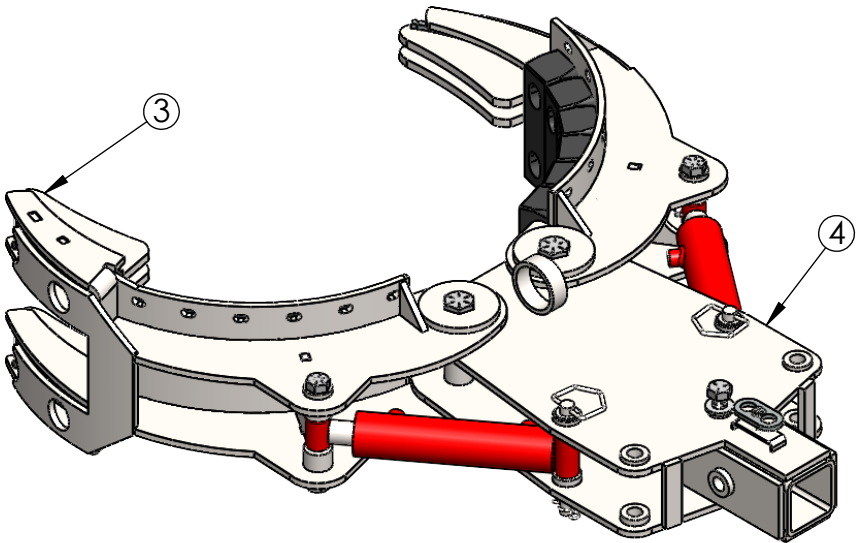
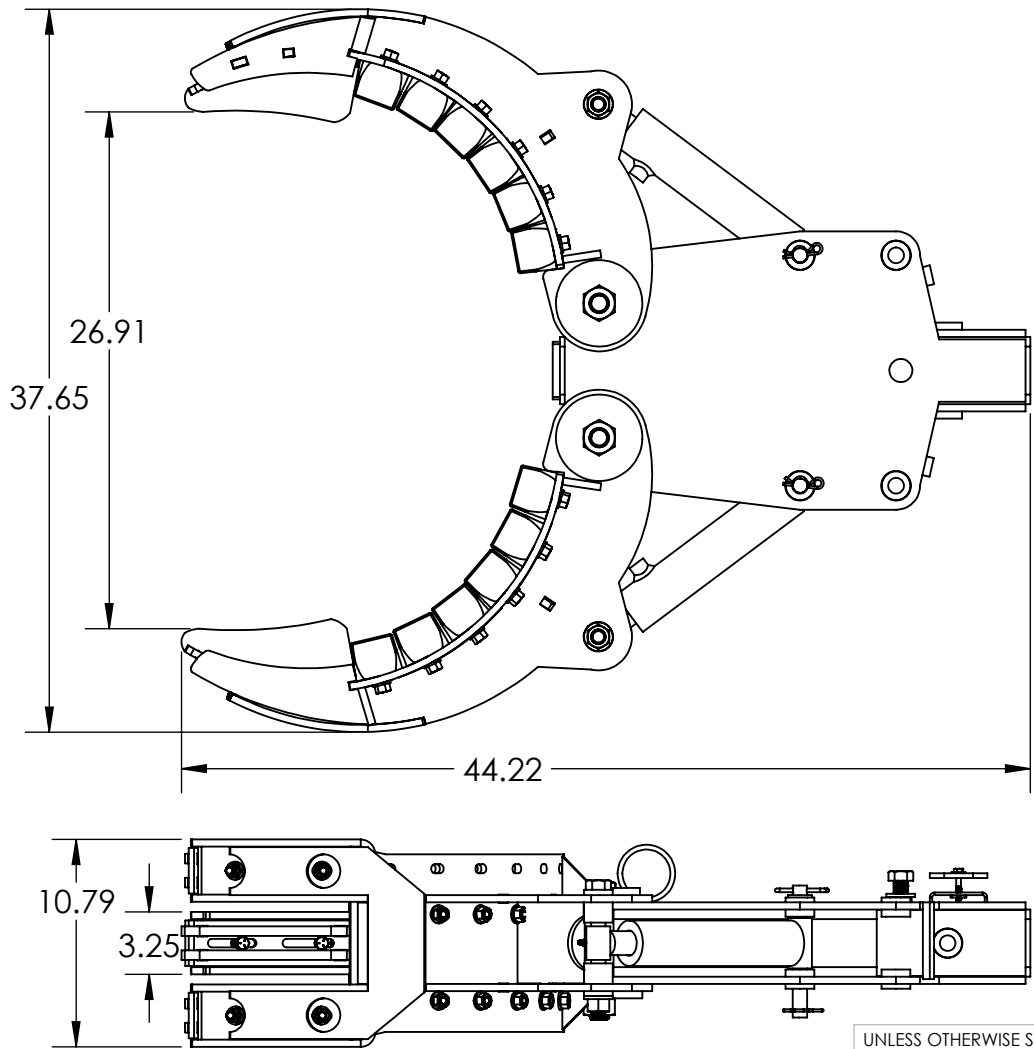
4

3

2

1

ITEM NO.	PART NUMBER	DESCRIPTION	QTY.
1	FA13160	7/16"-14 x 1-3/4" GRADE 5 ZINC FINISH HEX CAP SCREW	6
2	FA0166989	7/16"-14 GRADE F ZINC FINISH STEEL FLANGE TOP LOCK NUT	6
3	RF-01-0001	EXTENTION ARM ROCK FINGER	3
4	TH-01-3008	THREE FINGER TREE HAND OPEN FRONT PIVOT	1



UNLESS OTHERWISE SPECIFIED:

DIMENSIONS ARE IN INCHES
 TOLERANCES:
 FRACTIONAL ±
 ANGULAR: MACH ± BEND ±
 TWO PLACE DECIMAL ±
 THREE PLACE DECIMAL ±

INTERPRET GEOMETRIC
 TOLERANCING PER:

MATERIAL

FINISH

	NAME	DATE
DRAWN	BEVAN	8/16/2021
CHECKED		
ENG APPR.		
MFG APPR.		
Q.A.		
COMMENTS:		

EZ-SPOT-UR

TITLE:
**3 FINGER TREE HAND WITH
 INSERTS**

SIZE A	DWG. NO. TH-01-3020-A - 3 FINGER TREE HAND WITH ROCK TIPS	REV
------------------	---	-----

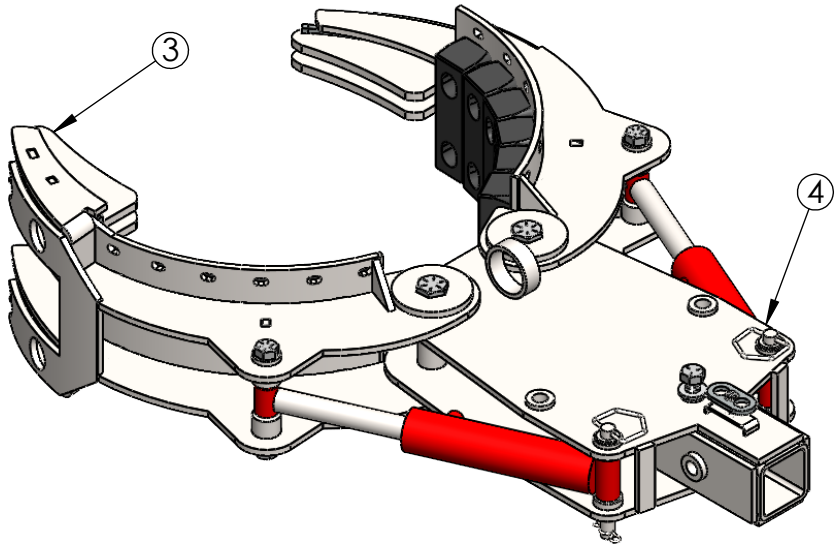
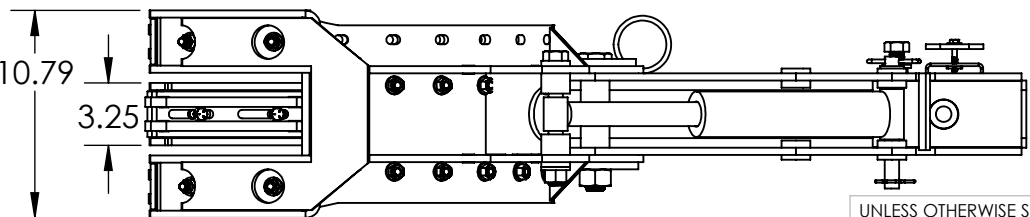
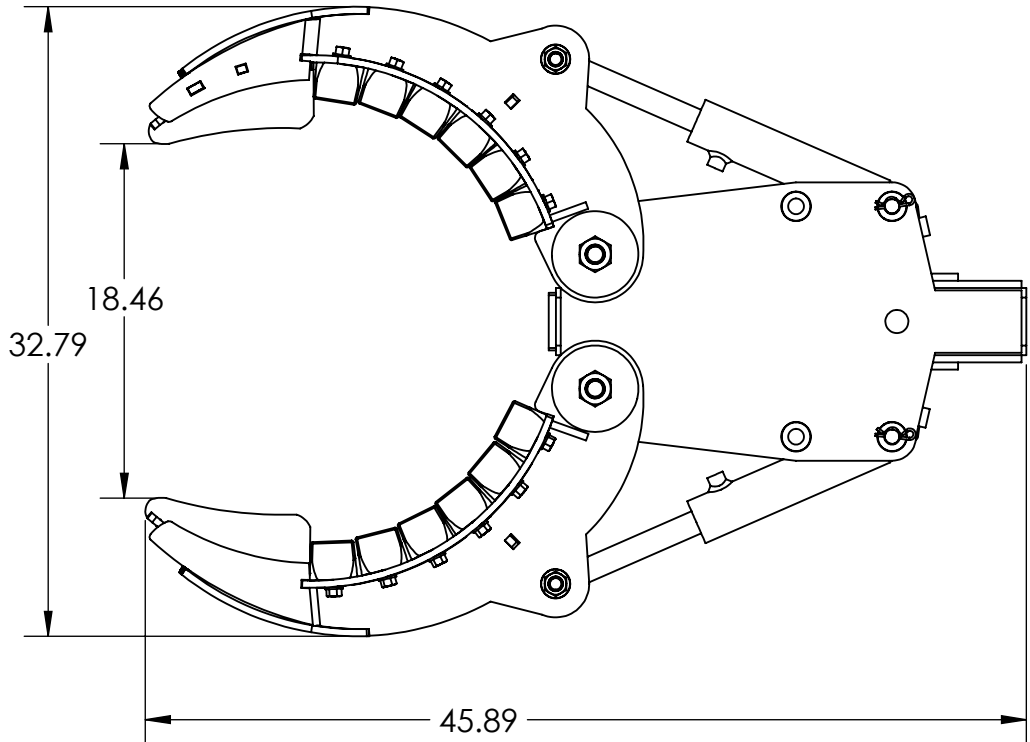
SCALE: 1:10 WEIGHT: 269.07 LBS SHEET 2 OF 4

PROPRIETARY AND CONFIDENTIAL

THE INFORMATION CONTAINED IN THIS
 DRAWING IS THE SOLE PROPERTY OF
 EZ-SPOT-UR. ANY REPRODUCTION IN PART
 OR AS A WHOLE WITHOUT THE WRITTEN
 PERMISSION OF EZ-SPOT-UR IS PROHIBITED.

NEXT ASSY	USED ON	APPLICATION	DO NOT SCALE DRAWING
-----------	---------	-------------	----------------------

ITEM NO.	PART NUMBER	DESCRIPTION	QTY.
1	FA13160	7/16"-14 x 1-3/4" GRADE 5 ZINC FINISH HEX CAP SCREW	6
2	FA0166989	7/16"-14 GRADE F ZINC FINISH STEEL FLANGE TOP LOCK NUT	6
3	RF-01-0001	EXTENTION ARM ROCK FINGER	3
4	TH-01-3008	THREE FINGER TREE HAND CLOSED BACK PIVOT	1



UNLESS OTHERWISE SPECIFIED:

DIMENSIONS ARE IN INCHES
 TOLERANCES:
 FRACTIONAL ±
 ANGULAR: MACH ± BEND ±
 TWO PLACE DECIMAL ±
 THREE PLACE DECIMAL ±

INTERPRET GEOMETRIC
 TOLERANCING PER:

MATERIAL

FINISH

DO NOT SCALE DRAWING

	NAME	DATE
DRAWN	BEVAN	8/16/2021
CHECKED		
ENG APPR.		
MFG APPR.		
Q.A.		
COMMENTS:		

EZ-SPOT-UR

TITLE:
**3 FINGER TREE HAND WITH
 INSERTS**

SIZE A	DWG. NO. TH-01-3020-A - 3 FINGER TREE HAND WITH ROCK TIPS	REV
------------------	---	-----

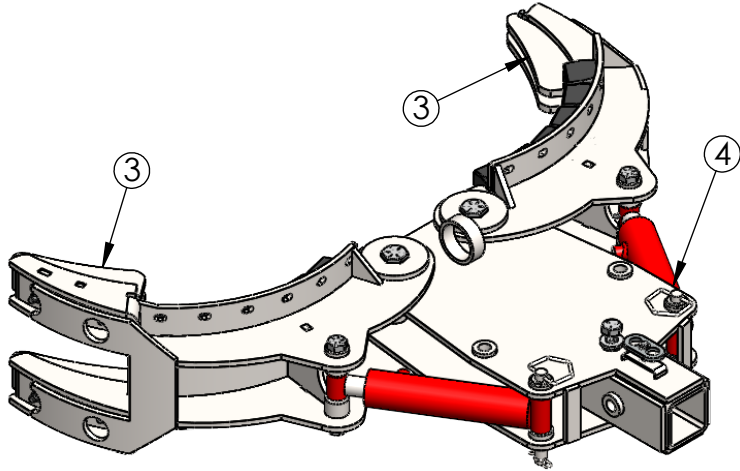
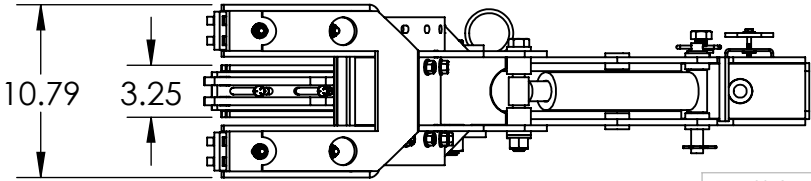
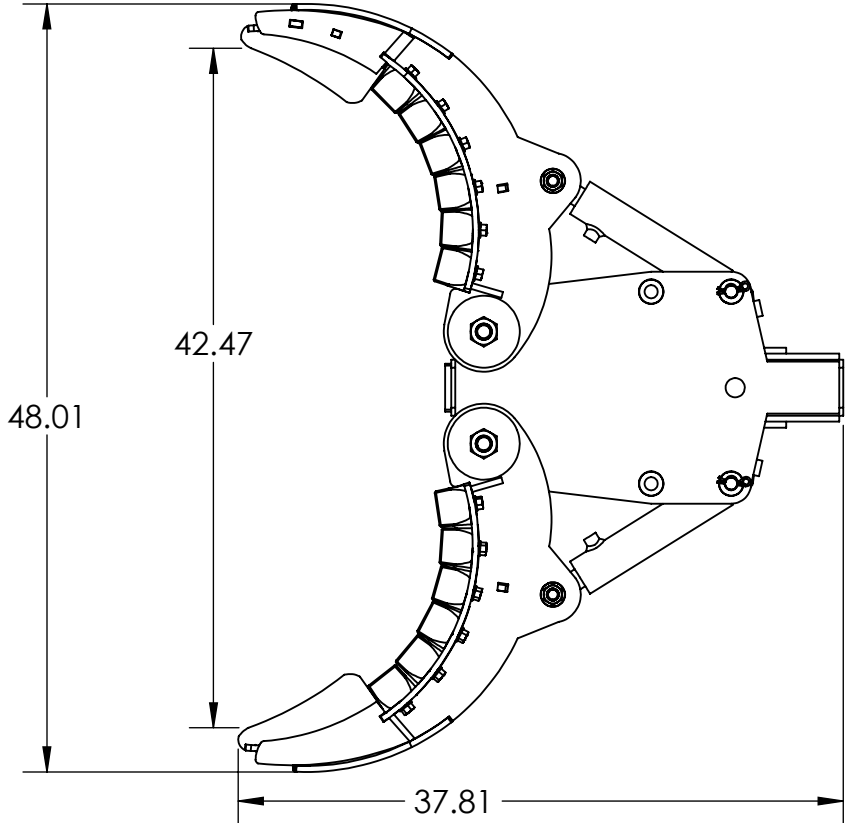
SCALE: 1:10 WEIGHT: 269.07 LBS SHEET 3 OF 4

PROPRIETARY AND CONFIDENTIAL

THE INFORMATION CONTAINED IN THIS
 DRAWING IS THE SOLE PROPERTY OF
 EZ-SPOT-UR. ANY REPRODUCTION IN PART
 OR AS A WHOLE WITHOUT THE WRITTEN
 PERMISSION OF EZ-SPOT-UR IS PROHIBITED.

NEXT ASSY	USED ON
APPLICATION	

ITEM NO.	PART NUMBER	DESCRIPTION	QTY.
1	FA13160	7/16"-14 x 1-3/4" GRADE 5 ZINC FINISH HEX CAP SCREW	6
2	FA0166989	7/16"-14 GRADE F ZINC FINISH STEEL FLANGE TOP LOCK NUT	6
3	RF-01-0001	EXTENTION ARM ROCK FINGER	3
4	TH-01-3008	THREE FINGER TREE HAND CLOSED BACK PIVOT	1



UNLESS OTHERWISE SPECIFIED:

DIMENSIONS ARE IN INCHES
 TOLERANCES:
 FRACTIONAL ±
 ANGULAR: MACH ± BEND ±
 TWO PLACE DECIMAL ±
 THREE PLACE DECIMAL ±

INTERPRET GEOMETRIC TOLERANCING PER:

MATERIAL

FINISH

DO NOT SCALE DRAWING

	NAME	DATE
DRAWN	BEVAN	8/16/2021
CHECKED		
ENG APPR.		
MFG APPR.		
Q.A.		
COMMENTS:		

EZ-SPOT-UR

TITLE:
3 FINGER TREE HAND WITH INSERTS

SIZE A	DWG. NO. TH-01-3020-A - 3 FINGER TREE HAND WITH ROCK TIPS	REV
------------------	--	-----

SCALE: 1:12 WEIGHT: 269.07 LBS SHEET 4 OF 4

PROPRIETARY AND CONFIDENTIAL

THE INFORMATION CONTAINED IN THIS DRAWING IS THE SOLE PROPERTY OF EZ-SPOT-UR. ANY REPRODUCTION IN PART OR AS A WHOLE WITHOUT THE WRITTEN PERMISSION OF EZ-SPOT-UR IS PROHIBITED.

NEXT ASSY	USED ON
APPLICATION	