



**ATTACHMENTS**

*Make it EZ!*

**1-877-433-5733**

**[www.ezspotur.com](http://www.ezspotur.com)**



*Make it EZ!*

**5 FINGER  
ROCK & TREE  
HAND  
EZ-2010**





*Make it EZ!*



**SAFETY  
FEATURES**



*Make it EZ!*



**DECAL SAFETY**  
All units have pictorial and written caution decals.

**ROTATION SAFETY**  
The rotation cycle has a mechanical stop to prevent the hydraulic cylinders from exceeding their maximum extension, which would cause the attachment to rotate too far and damage it.

# HOSE SAFETY

- All hydraulic hoses are Cordura protected
- The hoses have an operating pressure of 3000 psi.
- Has a burst pressure of 12,000 psi.
- The spring hose unit prevents lines from getting pinched
- The spring hose unit keeps the lines out of the dirt.

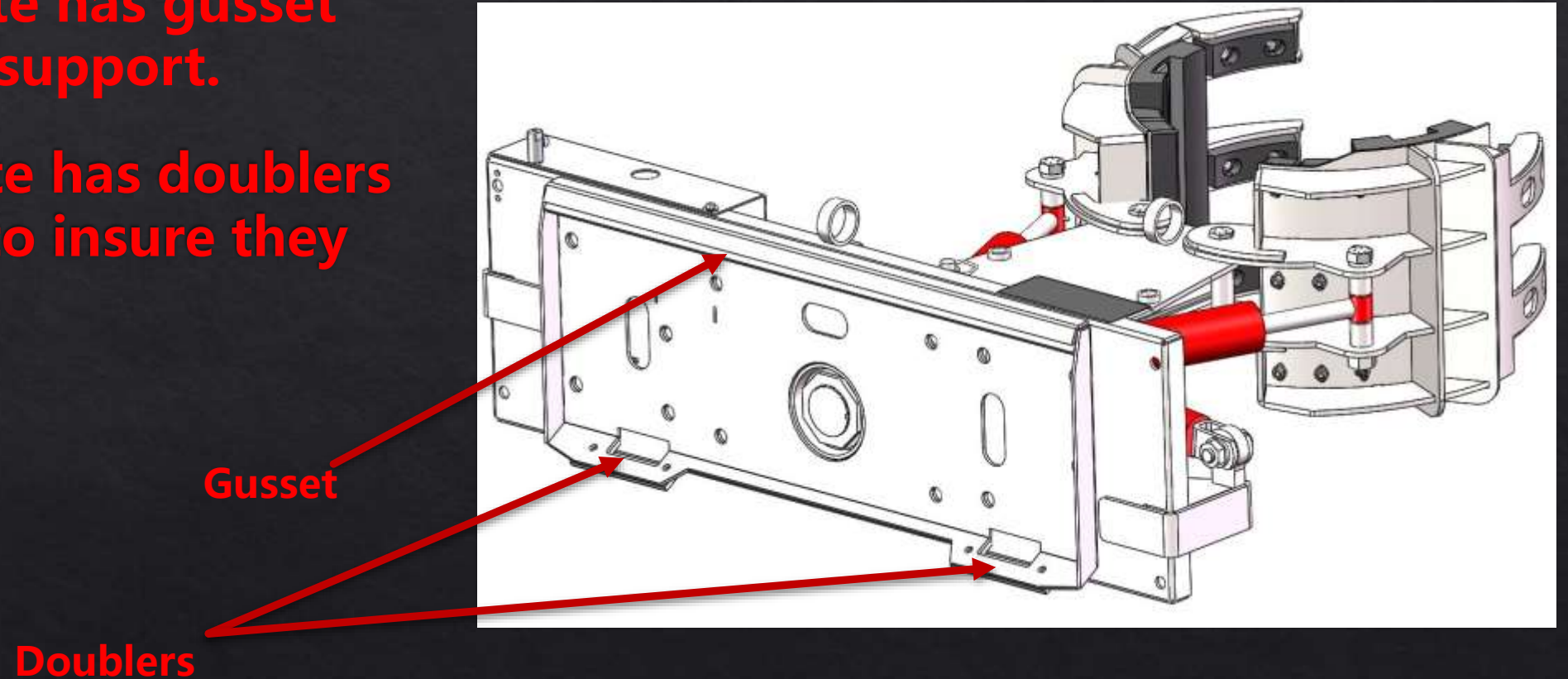
SPRING HOSE MOUNT



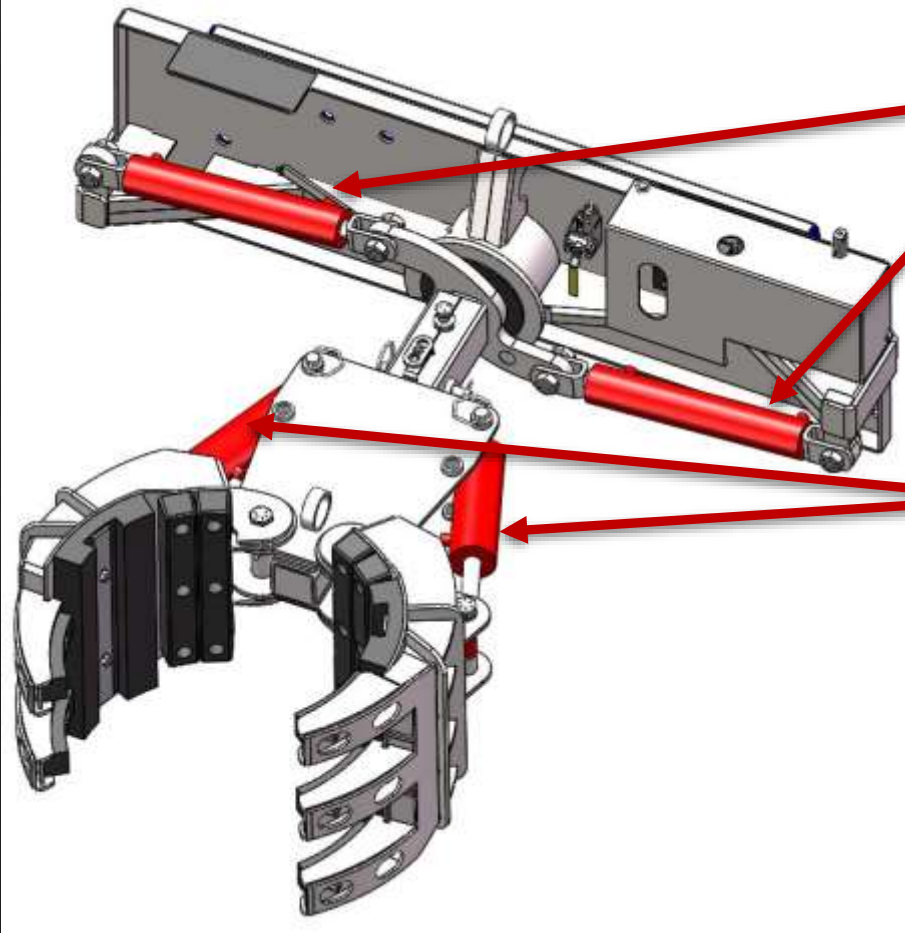
# CONNECTION SAFETY

Quick attach plate has gusset on top for extra support.

Quick attach plate has doublers at the pin holes to insure they will not tear out.



# Clamp Specifications (5 Finger Tree Hand)

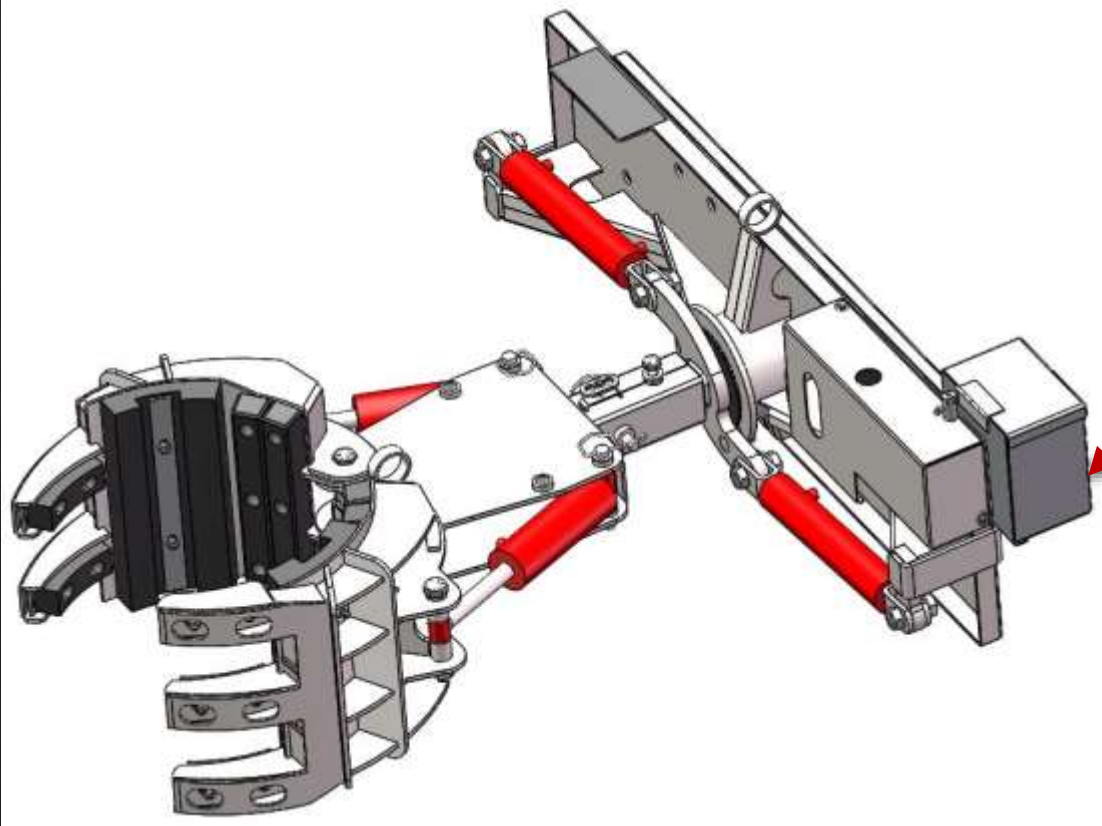


## 1. ROTATION CYLINDERS

- 2.5"x12.5" CLAMP CYLINDERS
- Break out force of 14,726 lbs

## 2. CLAMP CYLINDERS

- 3"x6" CLAMP CYLINDERS
- Break out force of 21,206 lbs
- Grips objects securely with interlocking jaws

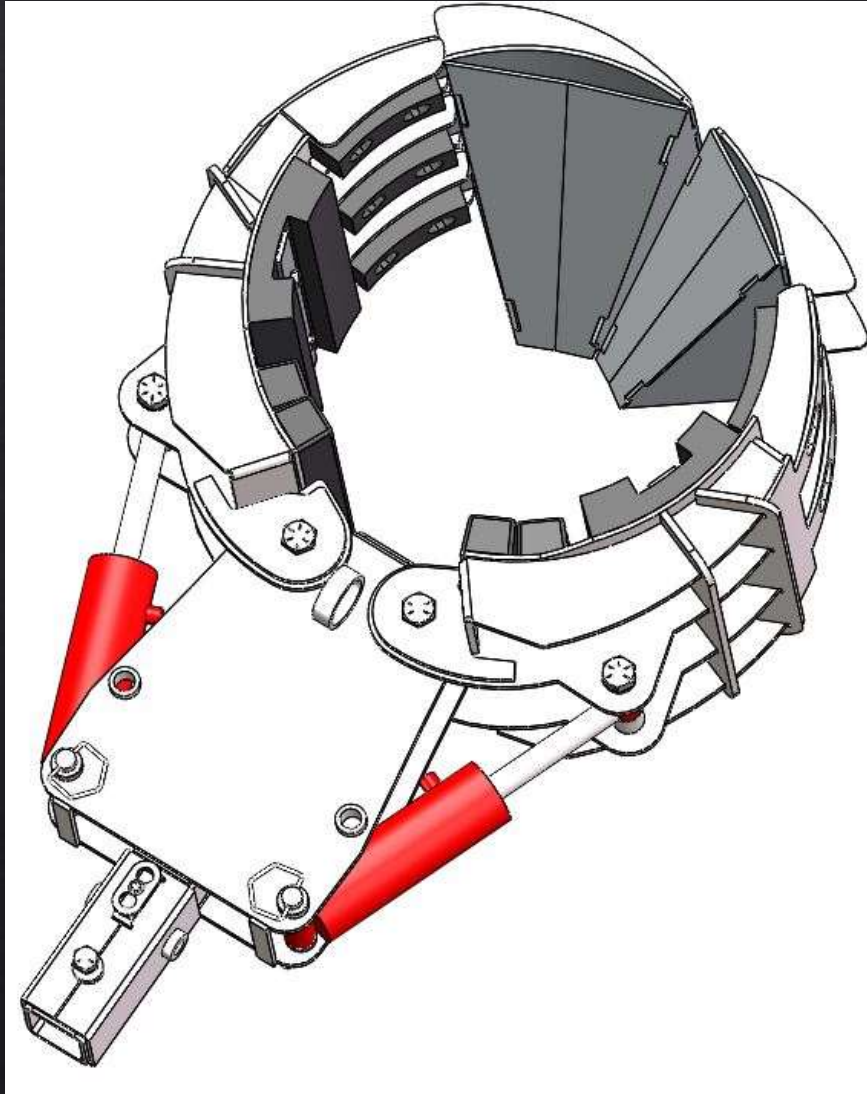


Optional Battery Box  
for machines without  
electrical connections

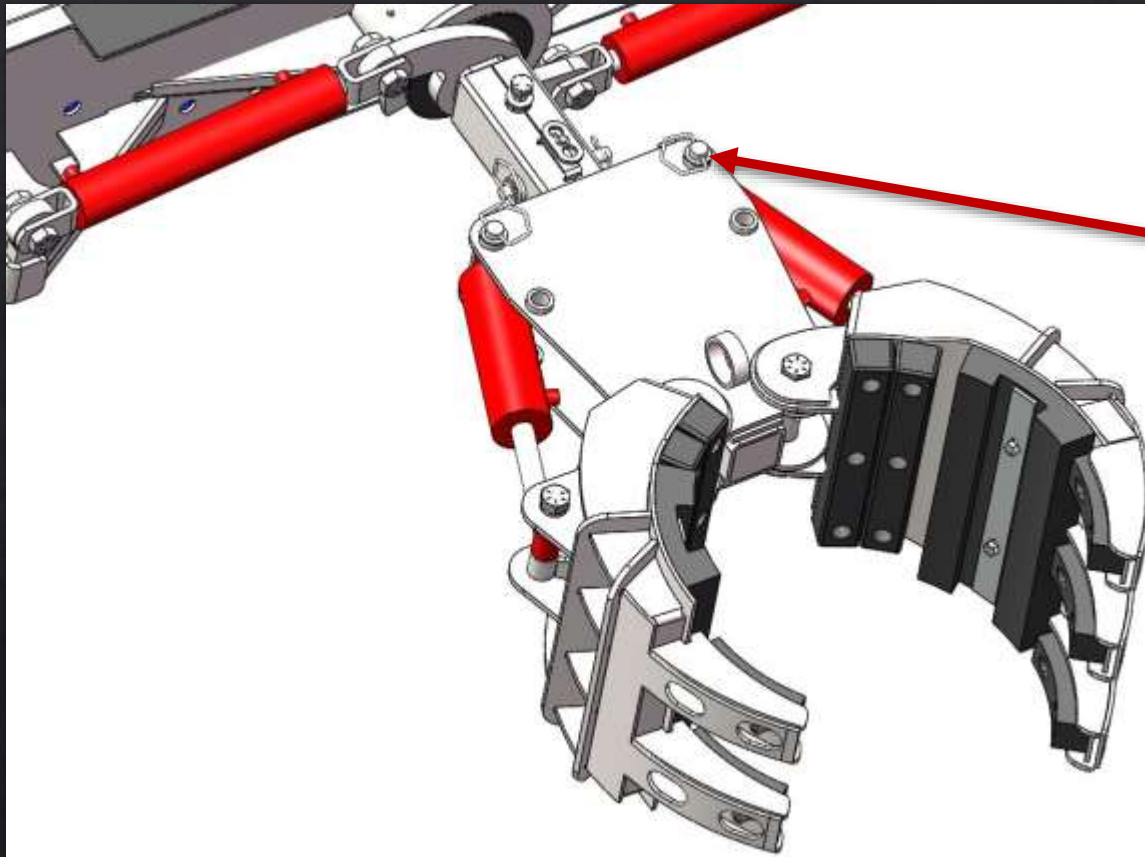




**Rock Tips available**

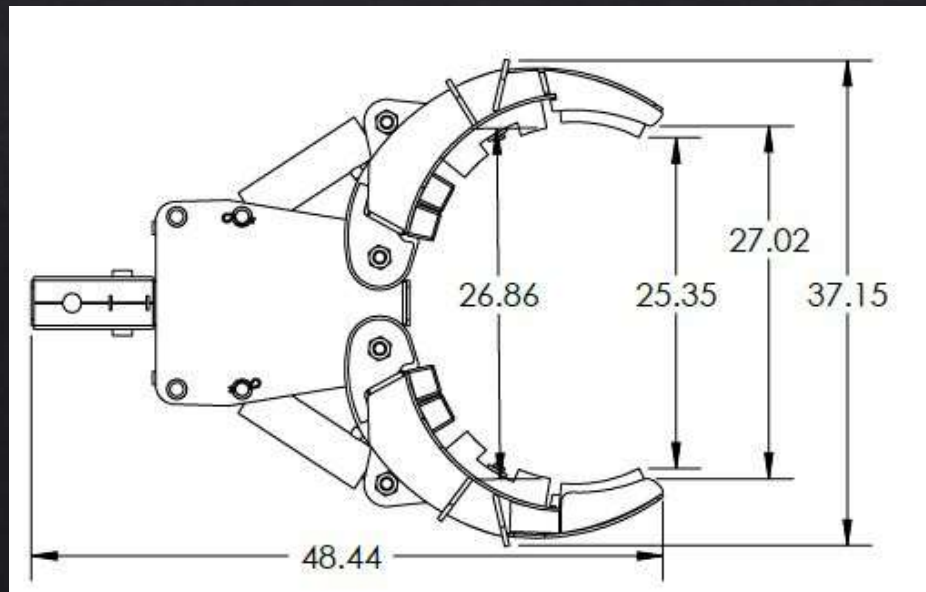
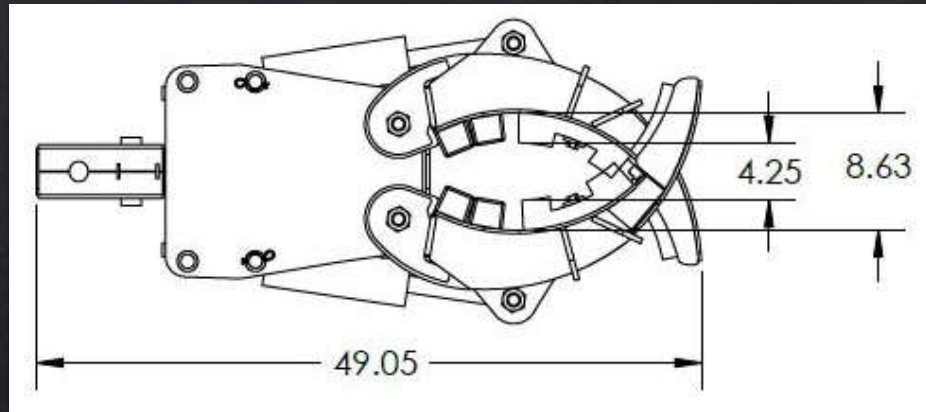


**B&B insert is available and is contoured to handle B&B plants without damaging roots**

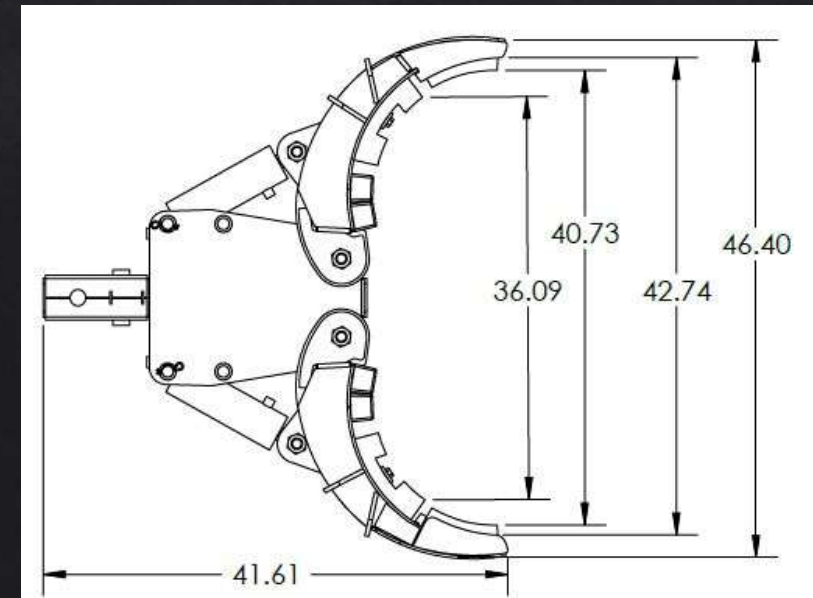
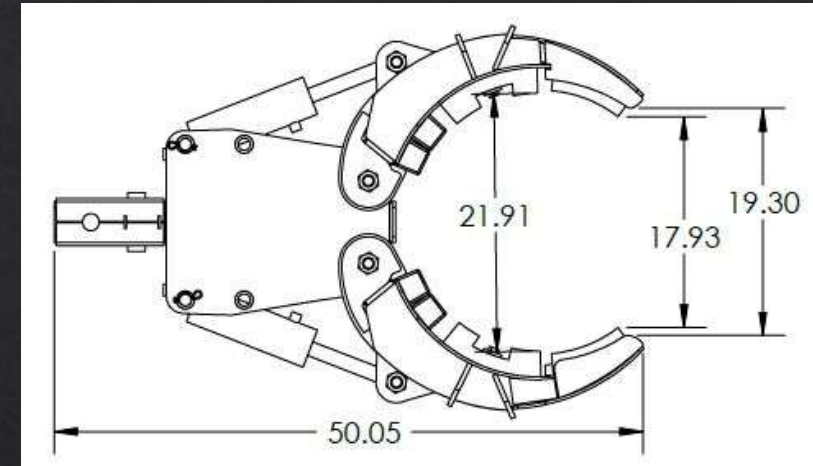


**Quick Release Pins**  
1 inch steel hitch pins  
for quickly adjusting the  
opening of the jaws

## Dimensions for 5 Finger Tree Hand with cylinder pins in front



## Dimensions for 5 Finger Tree Hand with cylinder pins in back





**SAFELY MOVE  
TREES WITHOUT  
DAMAGE**

**SAFELY MOVE  
LARGE ROCKS  
& BOULDERS**



**EZ SPOT UR**  
ATTACHMENTS

*Make it EZ!*

# 5 FINGER ROCK & TREE HAND (EZ-2010)

- Universal Quick Tach mounting system.
- Attachment weight 815 lbs with Double Cylinder Rotating Base
- Rated Rock Capacity: 5000 lbs
- Rated Tree Capacity: 2000 lbs
- Max Tree Length: 35 feet
- Rotates 110° to the operators left when attached to an EZ Spot UR Double Cylinder Rotating Base.
- Can also be attached to an EZ Spot UR Fixed Non-Rotating Base.
- Available with rubber tips for handling trees.



*Make it EZ!*



## 5 FINGER ROCK & TREE HAND (EZ-2010)

- Composed of Grade 50 material or higher to withstand years of wear and tear.
- Comes complete with 3/4" flush faced couplers
- Includes spring hose mount
- Includes wiring harness.
- Grade 8 bolts
- Core Welded



*Make it EZ!*



**3 FINGER  
ROCK & TREE  
HAND  
EZ-0010**





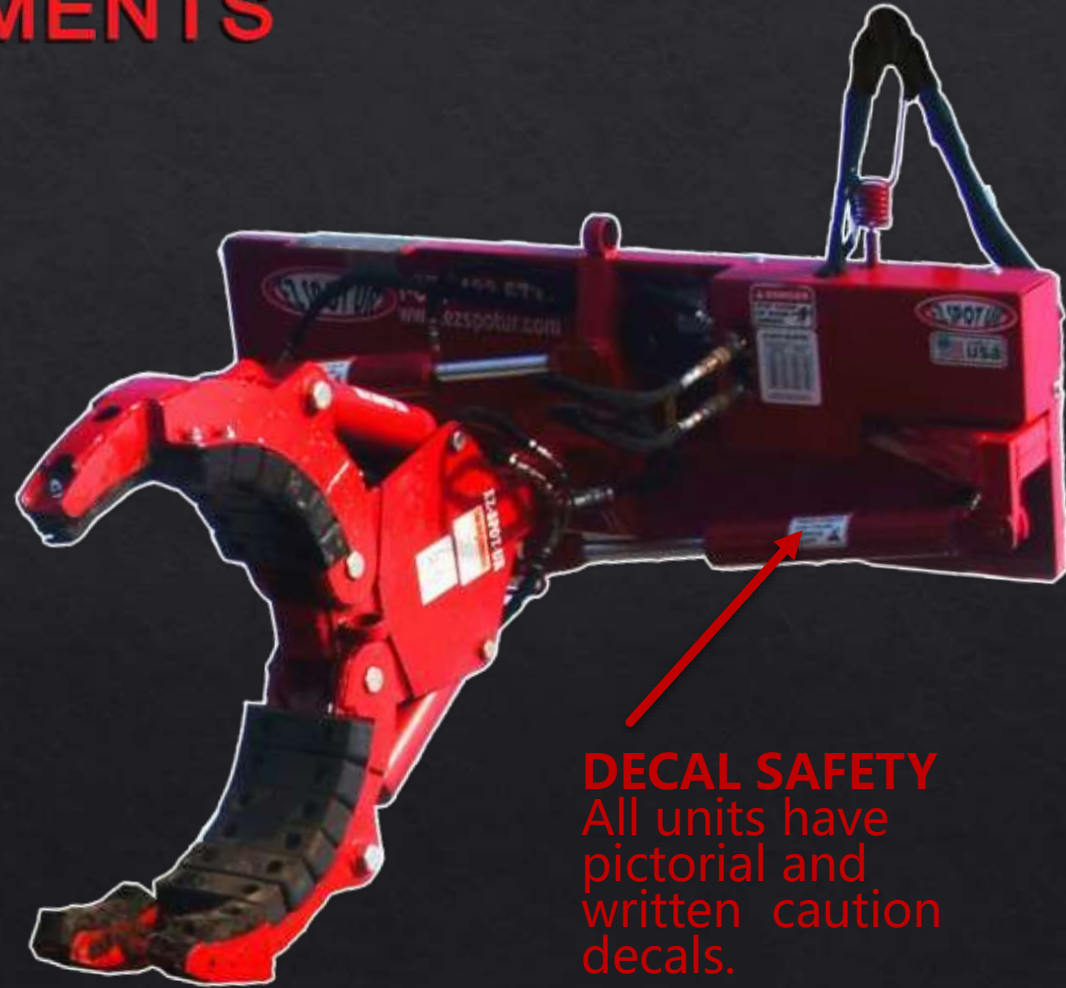
*Make it EZ!*



**SAFETY  
FEATURES**



*Make it EZ!*



**DECAL SAFETY**  
All units have pictorial and written caution decals.

**ROTATION SAFETY**  
The rotation cycle has a mechanical stop to prevent the hydraulic cylinders from exceeding their maximum extension, which would cause the attachment to rotate too far and damage it.

# HOSE SAFETY

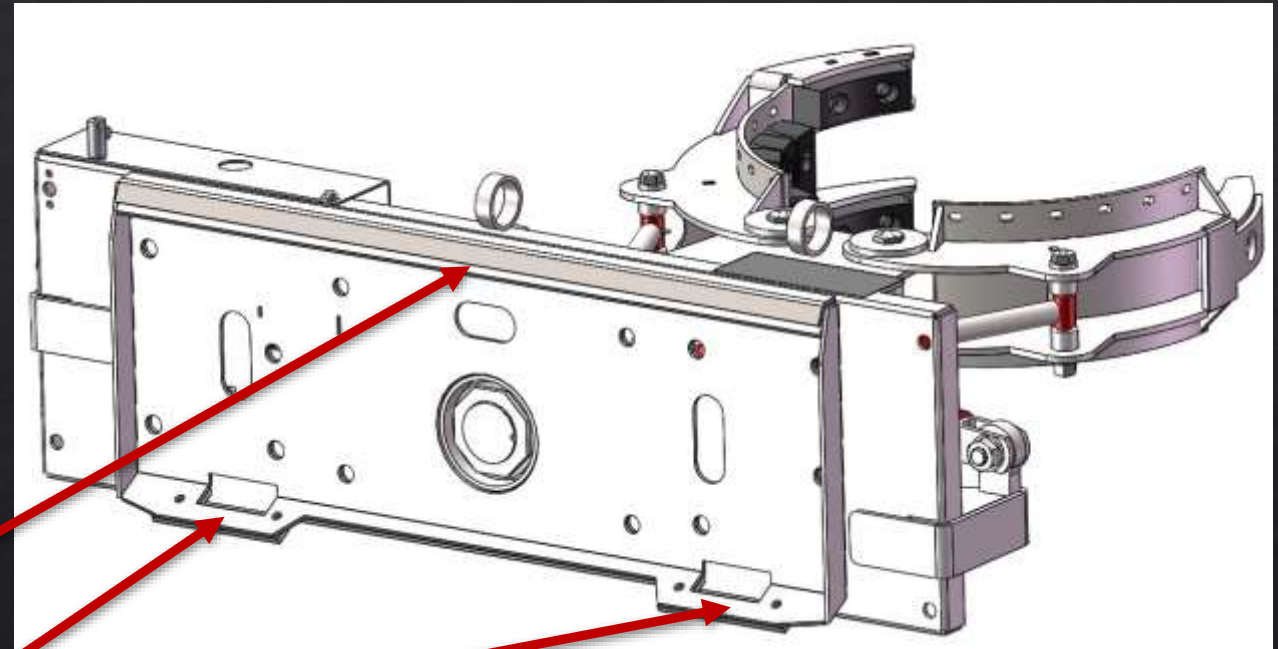
- All hydraulic hoses are Cordura protected
- The hoses have an operating pressure of 3000 psi.
- Has a burst pressure of 12,000 psi.
- The spring hose unit prevents lines from getting pinched
- The spring hose unit keeps the lines out of the dirt.



# CONNECTION SAFETY

Quick attach plate has gusset on top for extra support.

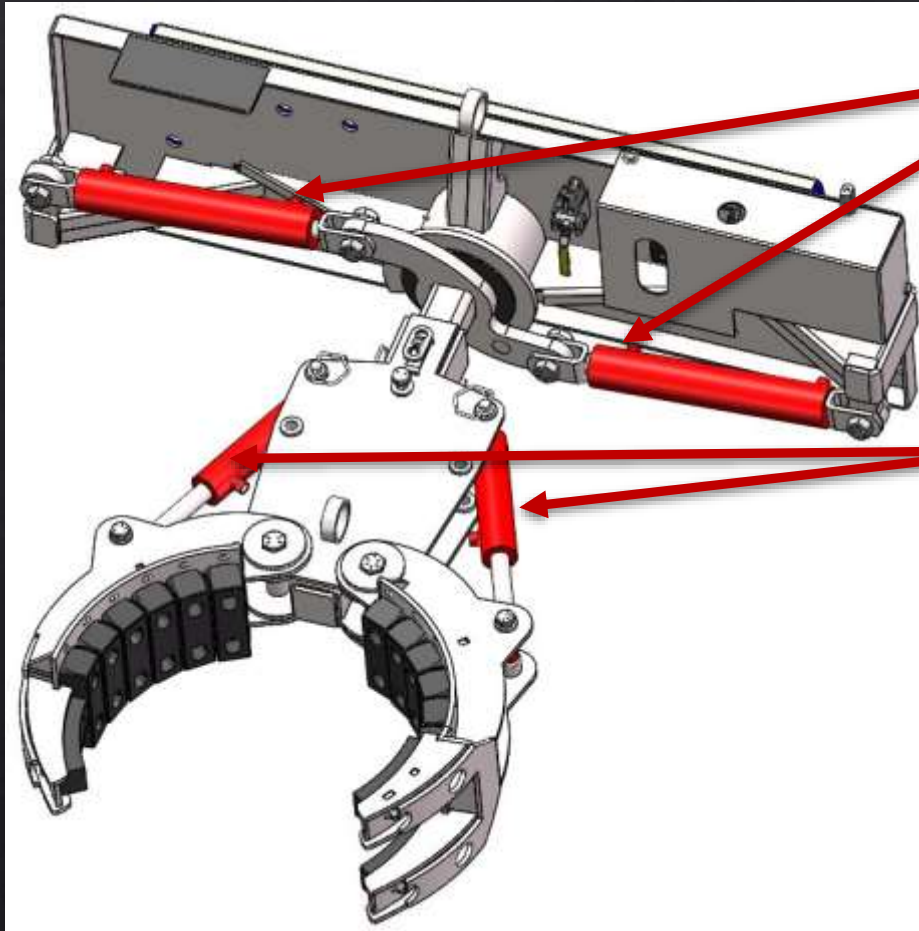
Quick attach plate has doublers at the pin holes to insure they will not tear out.



Gusset

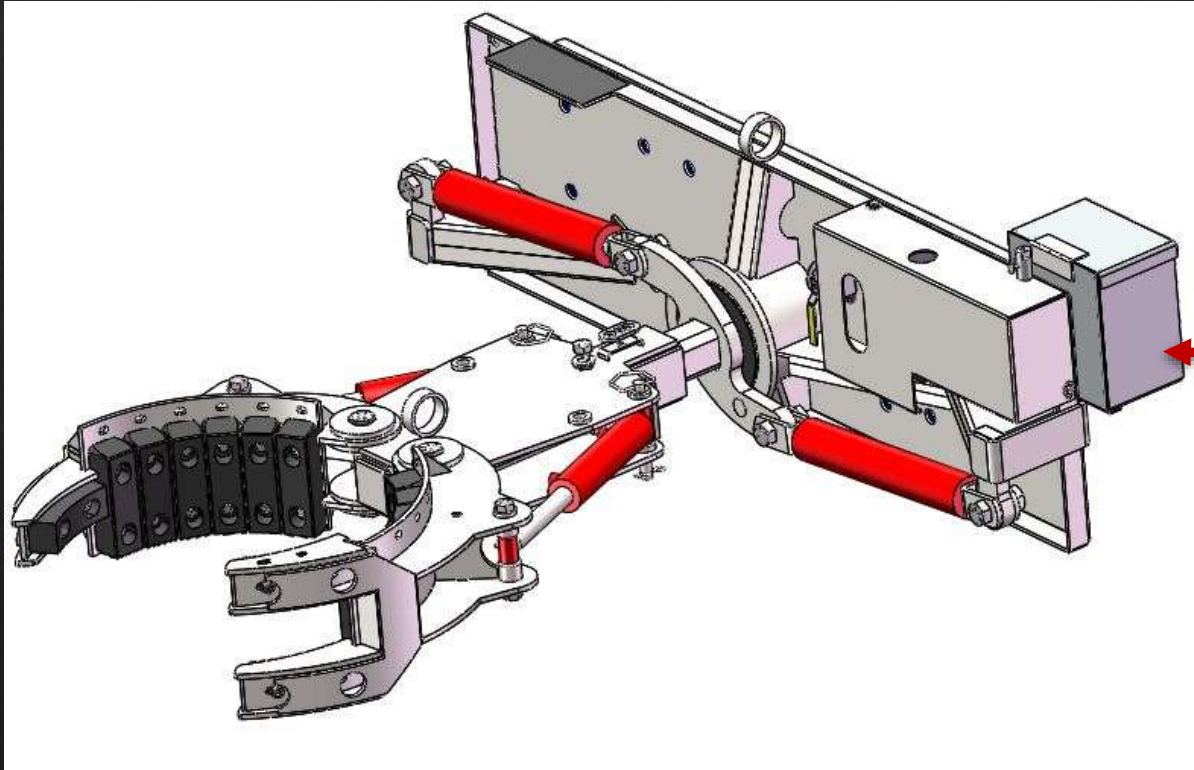
Doublers

# Clamp Specifications (3 Finger Tree Hand)



1. ROTATION CYLINDERS
  - 2.5"x12.5" CLAMP CYLINDERS
  - Break out force of 14,726 lbs

2. CLAMP CYLINDERS
  - 2"x6" CLAMP CYLINDERS
  - Break out force of 9,425 lbs
  - Grips objects securely with interlocking jaws

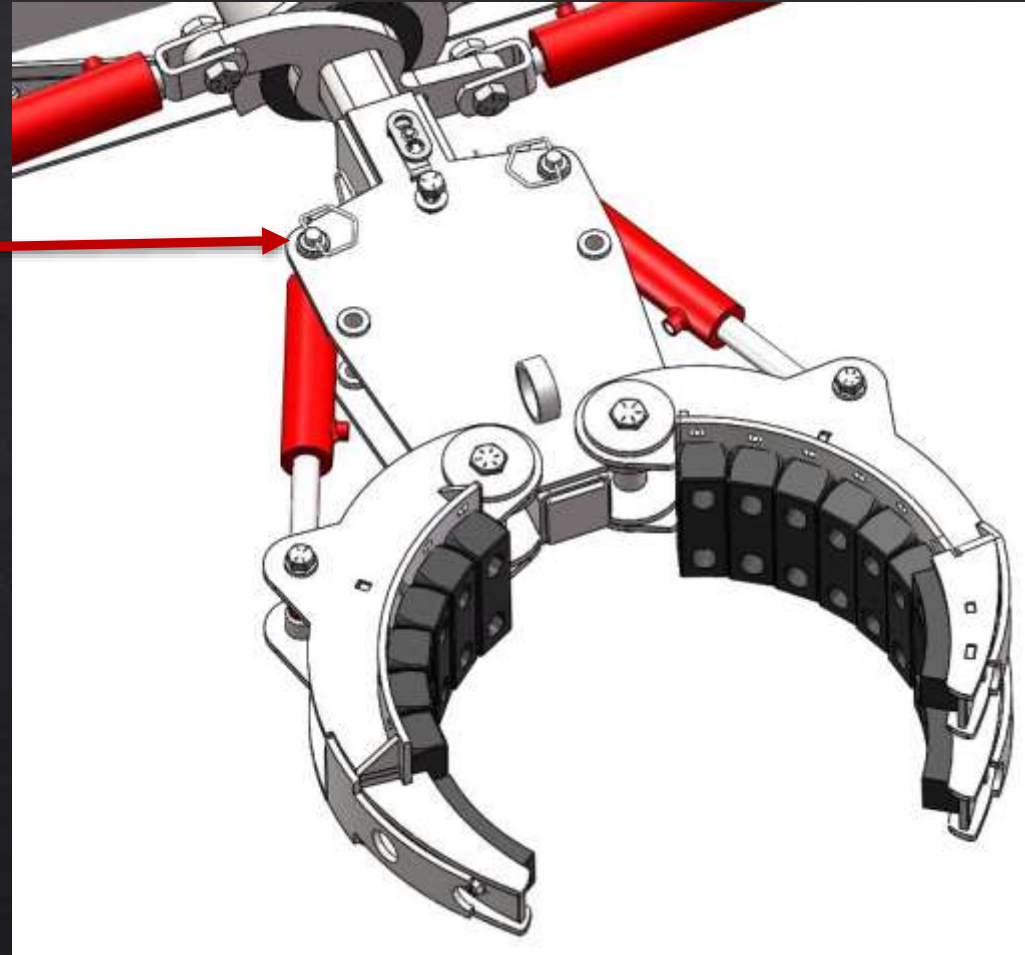


Optional Battery Box for machines without electrical connections



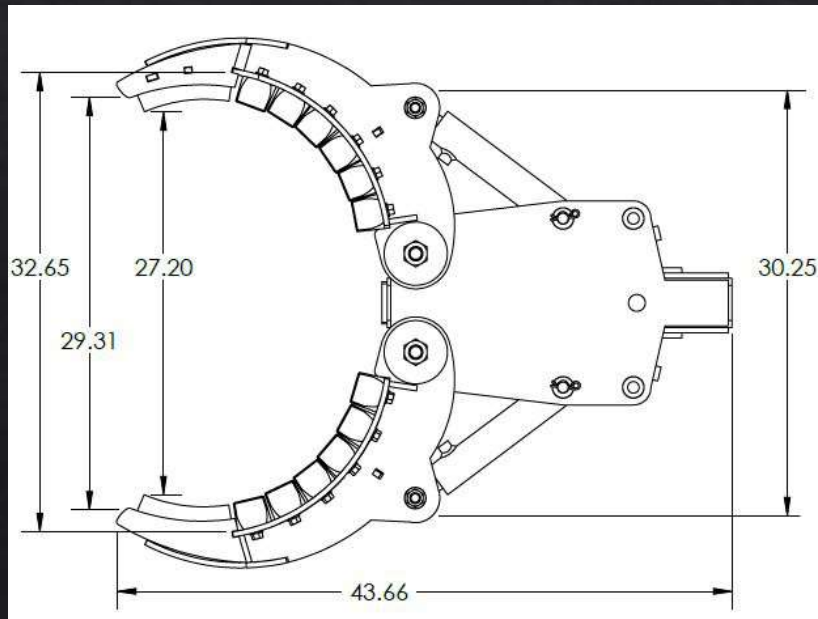
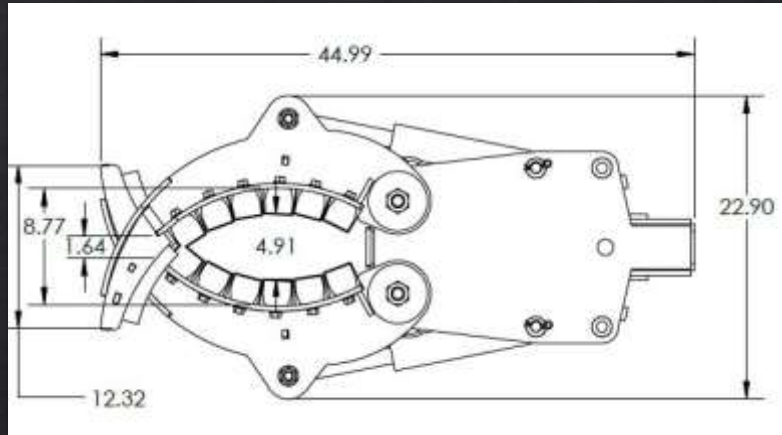
Rock Tips available

**Quick Release Pins**  
3/4 inch steel hitch pins  
for quickly adjusting the  
opening of the jaws

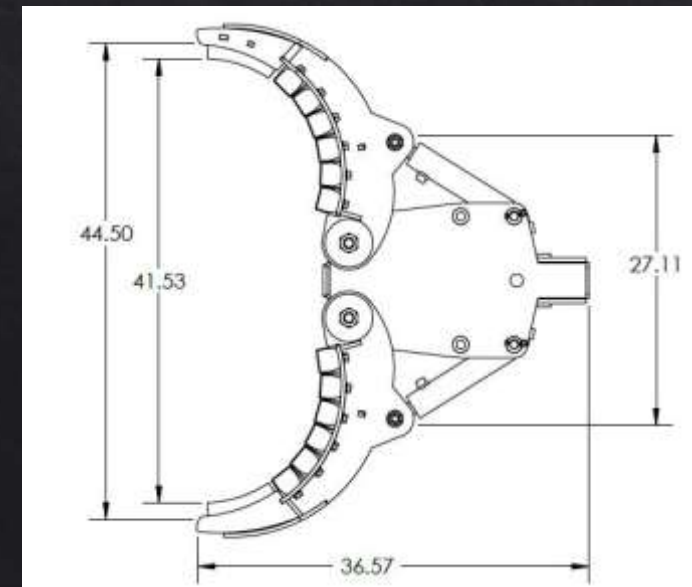
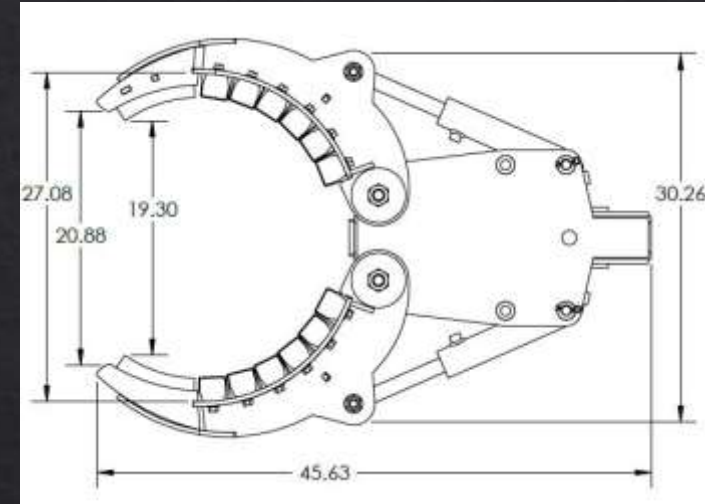




## Dimensions for 3 Finger Tree Hand With cylinder pins in front



## Dimensions for 3 Finger Tree Hand With cylinder pins in back



**CLEAN UP MADE EZ**



**A GREAT  
LANDSCAPING TOOL**

**EZ SPOT UR**  
ATTACHMENTS

*Make it EZ!*

# 3 FINGER ROCK & TREE HAND (EZ-0010)



- Universal Quick Tach mounting system.
- Weight of attachment 670 lbs with the Double Cylinder Rotating Base
- Rated weight capacity for trees: 2000 lbs
- Max tree length: 35 feet
- Rated weight capacity for rocks: 5000 lbs
- Rotates 110° to the operators left when attached to an EZ Spot UR Double Cylinder Rotating Base.
- Can also be attached to an EZ Spot UR Fixed Non-Rotating Base.
- Rotates -90° to 110° when used with Excavator Rotating Base



*Make it EZ!*

## 3 FINGER ROCK & TREE HAND (EZ-0010)

- Composed of Grade 50 material or higher to withstand years of wear and tear.
- Comes complete with 3/4" flush faced couplers
- Includes spring hose mount
- Includes wiring harness.
- Grade 8 bolts
- Core Welded



# ROCK & TREE HAND VIDEO



**EZ SPOT UR**  
ATTACHMENTS *Make it EZ!*

- All EZ Spot UR Attachments are proudly made in the USA
- All Attachments come with a One Year Warranty

