



ATTACHMENTS

Make it EZ!

1-877-433-5733

www.ezspotur.com



EZ SPOT UR
ATTACHMENTS

Make it EZ!

**EZ SPOT UR AUGER
EZ-AGR01**



Make it EZ!



**SAFETY
FEATURES**



Make it EZ!



AUGER SAFETY

The auger is designed for drilling holes in dirt or rock. The auger uses a planetary drive with a hydraulic motor to rotate. The motor and planetary drive have a steel tube surrounding them for protection against flying debris like rocks.

Decal Safety

All units have pictorial and written caution decals.

HOSE SAFETY

- All hydraulic hoses are Cordura protected
- Hoses have an operating pressure of 3,000psi
- Burst pressure of 12,000psi.
- The spring hose unit prevents the line from getting pinched
- Spring hose unit keeps lines out of the dirt.



EZ SPOT UR
ATTACHMENTS

Make it EZ!

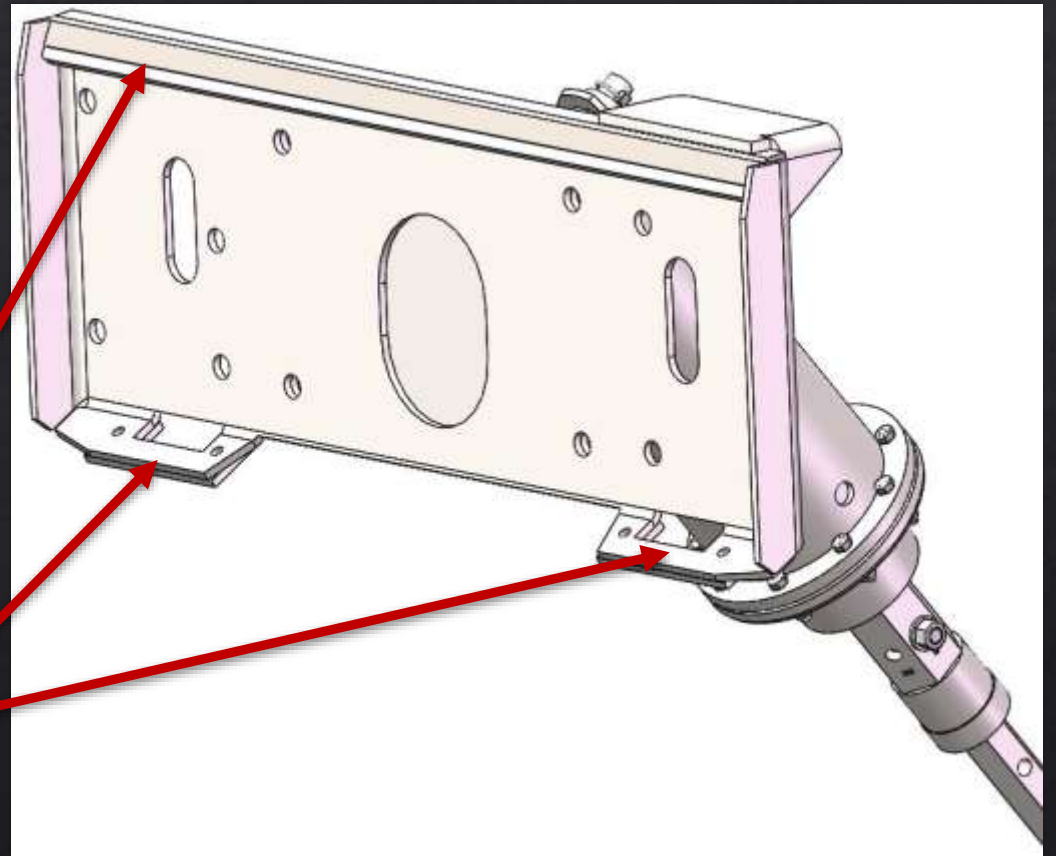
CONNECTION SAFETY

Quick attach plate has gusset on top for extra support.

Quick attach plate has doublers at the pin holes to insure they will not tear out.

Gusset

Doublers



PLANETARY DRIVE



- Planetary 16.88:1 Double Reduction Ratio
- Max output torque: 50,000 lb-in
- Max input speed: 5,000 rpm

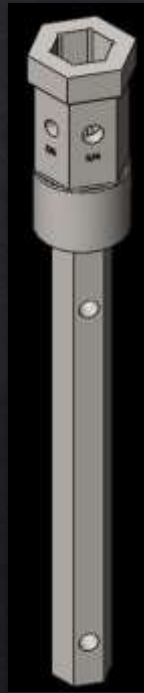
Motor

- Displacement: 12.4 in³/r
- Max Torque: 554 lb-in
- Max Speed: 470 rpm

Planetary and Motor combined

- Torque: 4,167 ft lbs

AUGER EXTENSIONS



2 Foot Auger Extension



3 Foot Auger Extension



4 Foot Auger Extension

Different Auger Extensions Available made out of 2 inch Kelly bar

AUGER

18" AUGERS AND
20" AUGERS
AVAILABLE



DIRT BIT



ROCK BIT

SAFELY DIGS THROUGH DIRT & ROCK



EZ SPOT UR
ATTACHMENTS *Make it EZ!*

SAFELY DIG HOLES FOR UTILITY POLES



Product Specifications

- Universal Quick Tach' mounting system.
- Can be adapted to fit any machine
- Mass of Auger: 625 lbs



Make it EZ!

Product Specifications



- **3/4 inch Flush Face Coupling**
- **Composed of Grade 80 material or higher.**
- **1 3/16" 1018 pins**
- **Grade 8 bolts**
- **Core welded.**

EZ SPOT UR AUGER VIDEO





Make it EZ!

**ALL EZ SPOT UR
PRODUCTS
ARE PROUDLY MADE IN
THE USA
AND COME WITH A
ONE YEAR WARRANTY**

