

TOTAL WEIGHT: 2521.95 LBS

OPTIONAL BATTERY BOX WITH RADIO TRANSMITTER FOR USE WITH A DIGGER DERICK TRUCK

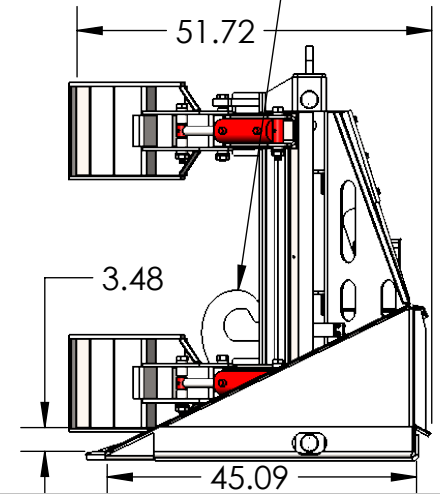
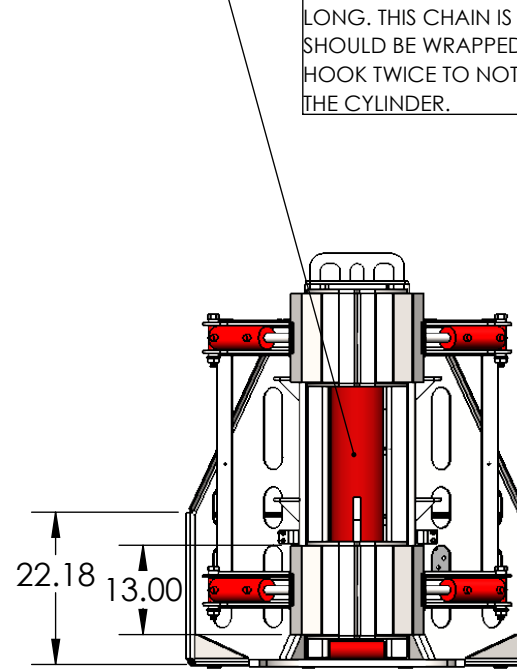
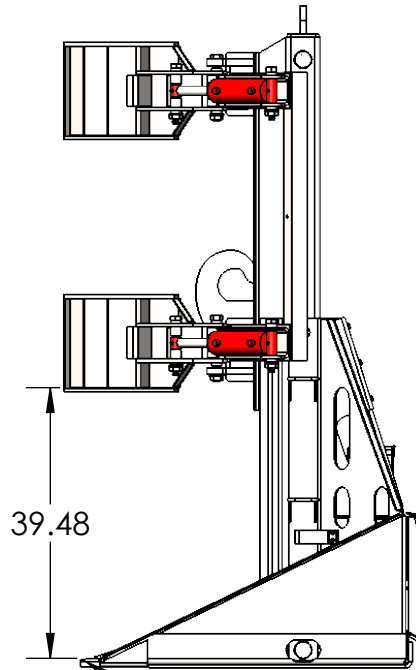
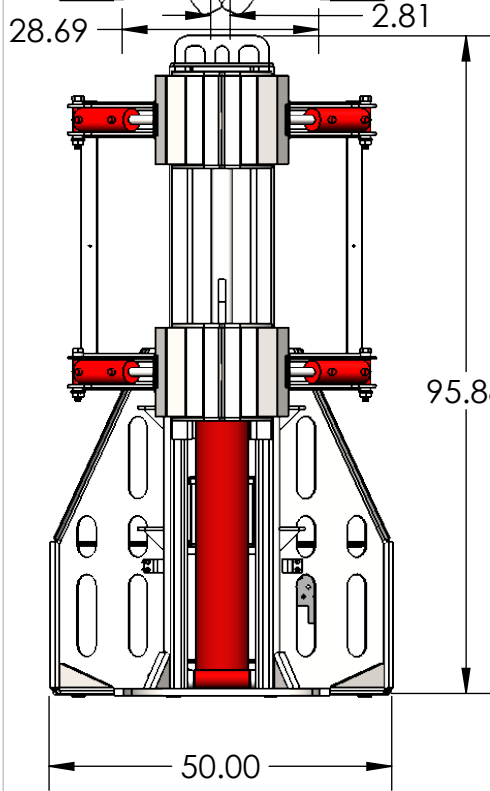
3" BORE X 6" STROKE (76.2 mm BORE x 152.4 mm STROKE)  
 21,208 LB (94.33 kN) PUSH AT 3000 PSI  
 17,524 LB (77.95 kN) PULL AT 3000 PSI  
 16,258 LB (72.32 kN) PUSH AT 2300 PSI  
 13,435 LB (59.76 kN) PULL AT 2300 PSI

INSERTS CAN BE METAL CLEATED OR RUBBER LINED

7" (177.8 mm) BORE x 36" (914.4 mm) STROKE  
 115,453 LB (513.56 kN) PUSH AT 3000 PSI  
 94,248 LB (419.24 kN) PULL AT 3000 PSI  
 88,514 LB (393.73 kN) PUSH AT 2300 PSI  
 72,257 LB (321.42 kN) PULL AT 2300 PSI

EXTRACTION HOOK USED WITH CHAIN WRAPPED AROUND THE POLE IF POLE IS SLIPPING IN THE JAWS

CHAIN RECOMENDED IS 3/4" GRADE 100 X 20 FT LONG. THIS CHAIN IS RATED FOR 35,300 LBS AND SO SHOULD BE WRAPPED AROUND FROM THE POLE TO HOOK TWICE TO NOT BREAK UNDER THE FORCE OF THE CYLINDER.



CUTTING EDGE FOR EASY ACCESS TO BOTTOM OF POLE EVEN WHEN THERE IS A MOUND OF DIRT SO BOTTOM PLATE STAYS FLAT

REVISIONS			
REV.	DESCRIPTION	DATE	APPROVED
A	UPDATED CHAIN RECOMENDATION FROM 9000 LB CAPACITY X 8FT LONG TO 35,300 LB CAP. X 20 FT LONG	3/14/2018	BEVAN

**PROPRIETARY AND CONFIDENTIAL**

THE INFORMATION CONTAINED IN THIS DRAWING IS THE SOLE PROPERTY OF EZ-SPOT-UR. ANY REPRODUCTION IN PART OR AS A WHOLE WITHOUT THE WRITTEN PERMISSION OF EZ-SPOT-UR IS PROHIBITED.

NEXT ASSY	USED ON
APPLICATION	

UNLESS OTHERWISE SPECIFIED:

DIMENSIONS ARE IN INCHES  
 TOLERANCES:  
 FRACTIONAL ±  
 ANGULAR: MACH ± BEND ±  
 TWO PLACE DECIMAL ±  
 THREE PLACE DECIMAL ±

INTERPRET GEOMETRIC TOLERANCING PER:

MATERIAL

FINISH

DO NOT SCALE DRAWING

	NAME	DATE
DRAWN	BEVAN	10/8/2015
CHECKED		
ENG APPR.		
MFG APPR.		
Q.A.		
COMMENTS:		

**EZ-SPOT-UR**

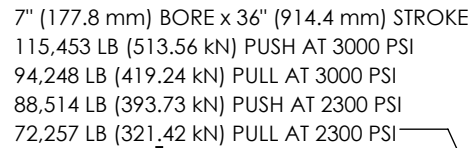
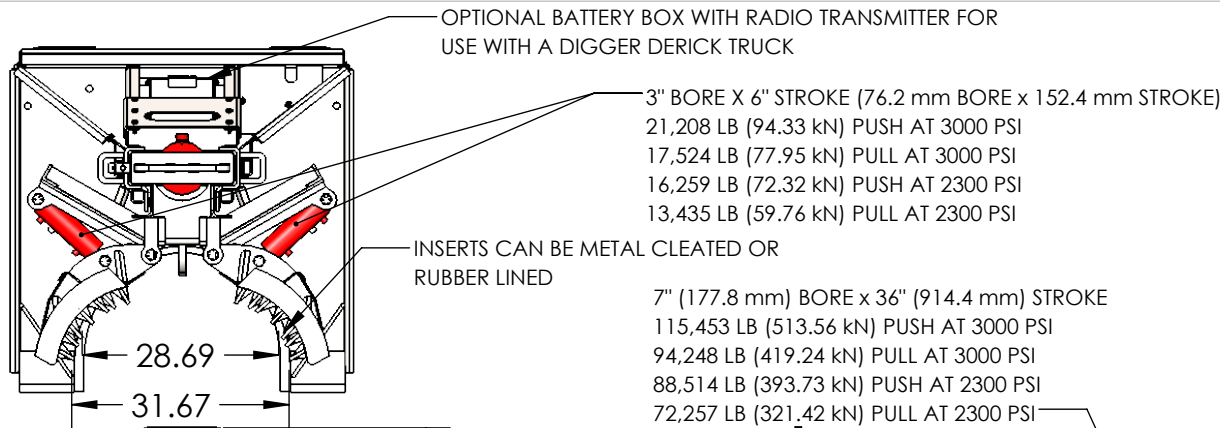
TITLE:

**DOUBLE POLE JACK ASSEMBLY**

SIZE	DWG. NO.	REV
<b>A</b>	DCPJ-01-006-A - DOUBLE POLE JACK SPECS	<b>A</b>

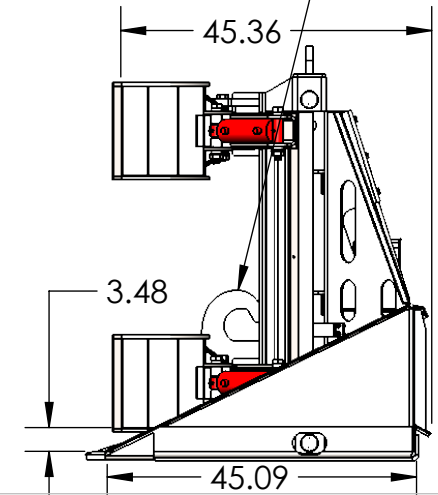
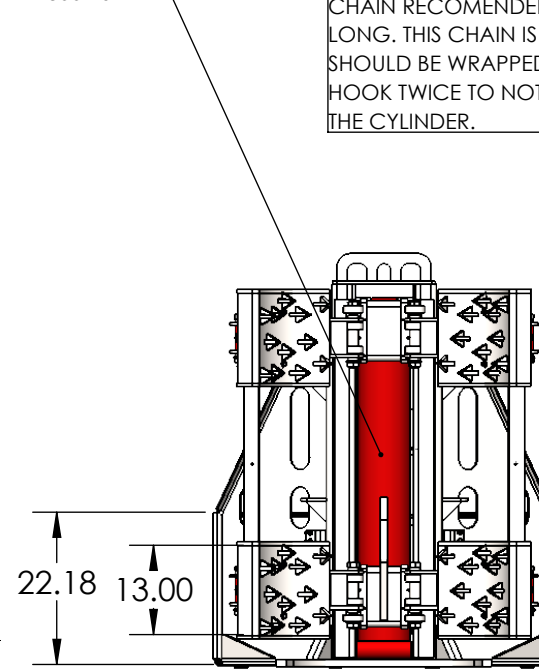
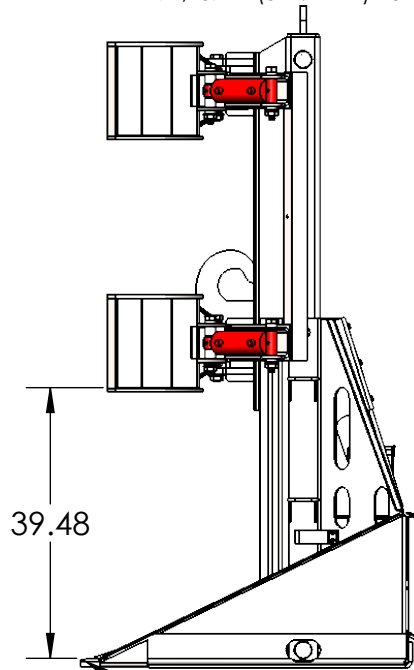
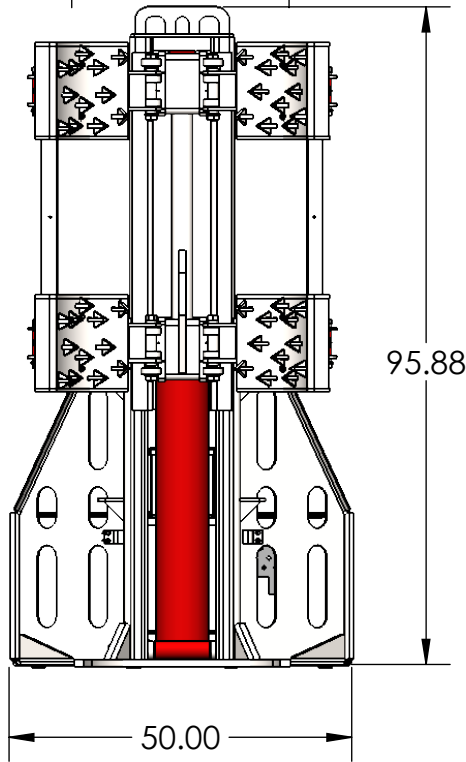
SCALE: 1:28 WEIGHT: 2521.95 LBS SHEET 1 OF 2

TOTAL WEIGHT: 2521.95 LBS



EXTRACTION HOOK USED WITH CHAIN WRAPPED AROUND THE POLE IF POLE IS SLIPPING IN THE JAWS

CHAIN RECOMENDED IS 3/4" GRADE 100 X 20 FT LONG. THIS CHAIN IS RATED FOR 35,300 LBS AND SO SHOULD BE WRAPPED AROUND FROM THE POLE TO HOOK TWICE TO NOT BREAK UNDER THE FORCE OF THE CYLINDER.



CUTTING EDGE FOR EASY ACCESS TO BOTTOM OF POLE EVEN WHEN THERE IS A MOUND OF DIRT SO BOTTOM PLATE STAYS FLAT

UNLESS OTHERWISE SPECIFIED:

DIMENSIONS ARE IN INCHES  
 TOLERANCES:  
 FRACTIONAL ±  
 ANGULAR: MACH ± BEND ±  
 TWO PLACE DECIMAL ±  
 THREE PLACE DECIMAL ±

INTERPRET GEOMETRIC TOLERANCING PER:

MATERIAL

FINISH

DO NOT SCALE DRAWING

	NAME	DATE
DRAWN	BEVAN	10/8/2015
CHECKED		
ENG APPR.		
MFG APPR.		
Q.A.		
COMMENTS:		

**EZ-SPOT-UR**

TITLE:

DOUBLE POLE JACK ASSEMBLY

SIZE	DWG. NO.	REV
<b>A</b>	DCPJ-01-006-A - DOUBLE POLE JACK SPECS	<b>A</b>

SCALE: 1:28 WEIGHT: 2521.95 LBS SHEET 2 OF 2

**PROPRIETARY AND CONFIDENTIAL**

THE INFORMATION CONTAINED IN THIS DRAWING IS THE SOLE PROPERTY OF EZ-SPOT-UR. ANY REPRODUCTION IN PART OR AS A WHOLE WITHOUT THE WRITTEN PERMISSION OF EZ-SPOT-UR IS PROHIBITED.

NEXT ASSY

USED ON

APPLICATION

5

4

3

2

1