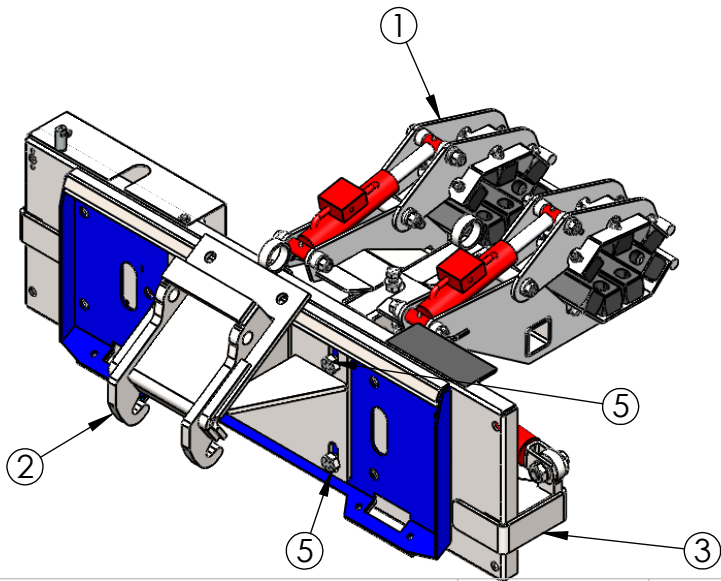
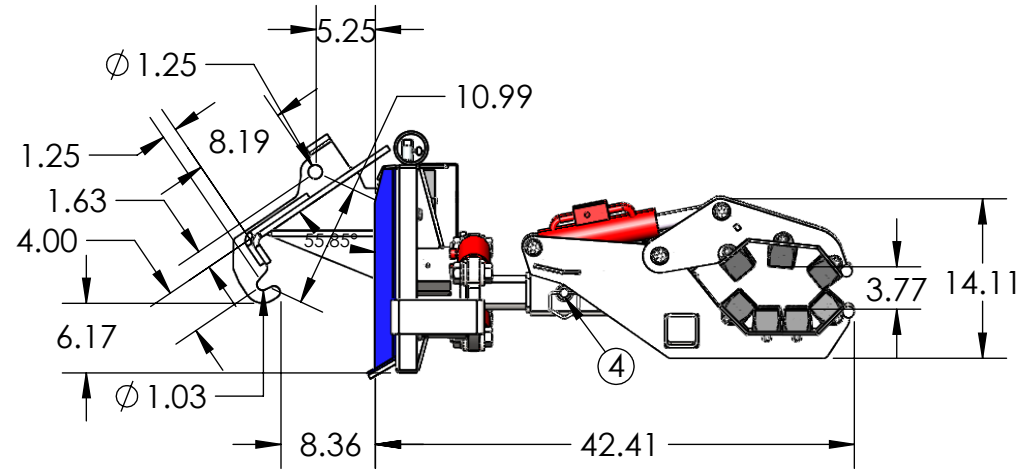
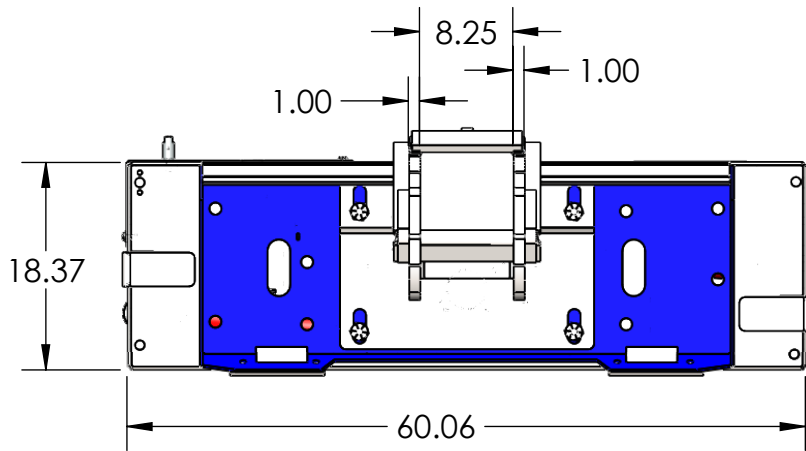


ITEM NO.	PART NUMBER	DESCRIPTION	QTY.
1	2W-01-0003	DOUBLE POLE CLAW ASSEMBLY	1
2	BC-01-0007	BOBCAT EXCAVATOR MOUNT	1
3	EZ-01-0001	STANDARD BASE	1
4	FA11197-01206	3/4" DIA 6-1/4"L STEEL HITCH PIN	1
5	FA15465	1"-8 x 3" GRADE 8 YELLOW ZINC HEX CAP SCREW	4
6	FA0166995	1"-8 GRADE F ZINC FINISH STEEL FLANGE TOP LOCK NUT	4
7	HDW-00-0035	COTTER PIN FOR 3/4" PIN	1



UNLESS OTHERWISE SPECIFIED:		NAME	DATE
DIMENSIONS ARE IN INCHES		DRAWN	BEVAN 3/25/2021
TOLERANCES:		CHECKED	
FRACTIONAL ±		ENG APPR.	
ANGULAR: MACH ± BEND ±		MFG APPR.	
TWO PLACE DECIMAL ±		Q.A.	
THREE PLACE DECIMAL ±		COMMENTS:	
INTERPRET GEOMETRIC TOLERANCING PER:			
MATERIAL			
FINISH			
NEXT ASSY	USED ON		
APPLICATION			
DO NOT SCALE DRAWING			

EZ-SPOT-UR

TITLE:
STANDARD ROTATING BASE
WITH BOBCAT EXCAVATOR
MOUNT ON FLAT PLATE

SIZE DWG. NO. REV
A BC-01-0049-A - BOBCAT EX MOUNT ON
FLAT PLATE ON STANDARD BASE &
DOUBLE POLE CLAW

SCALE: 1:17 WEIGHT: 790.42 LBS SHEET 1 OF 1

PROPRIETARY AND CONFIDENTIAL

THE INFORMATION CONTAINED IN THIS DRAWING IS THE SOLE PROPERTY OF EZ-SPOT-UR. ANY REPRODUCTION IN PART OR AS A WHOLE WITHOUT THE WRITTEN PERMISSION OF EZ-SPOT-UR IS PROHIBITED.