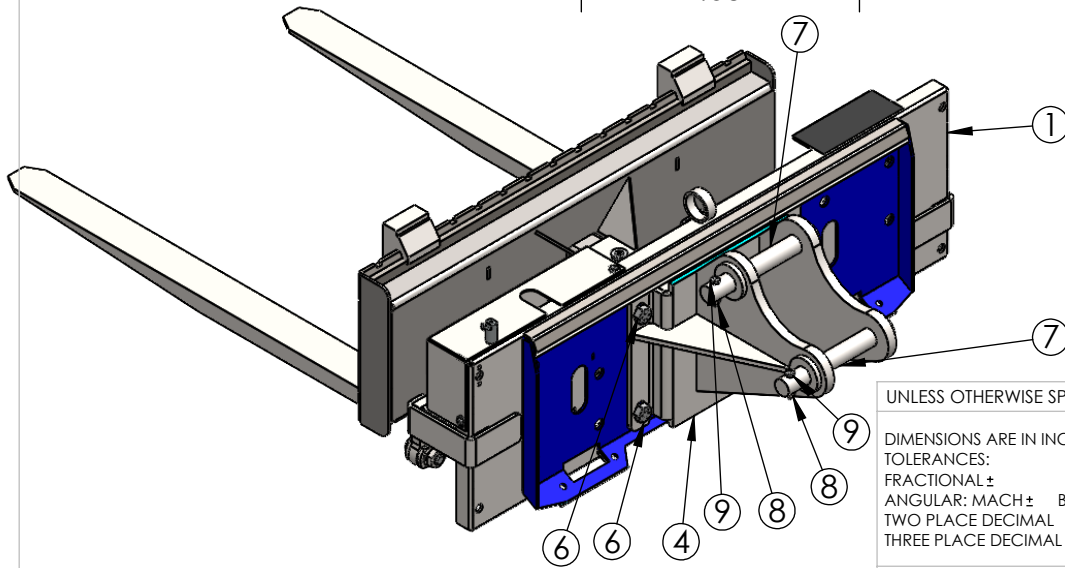
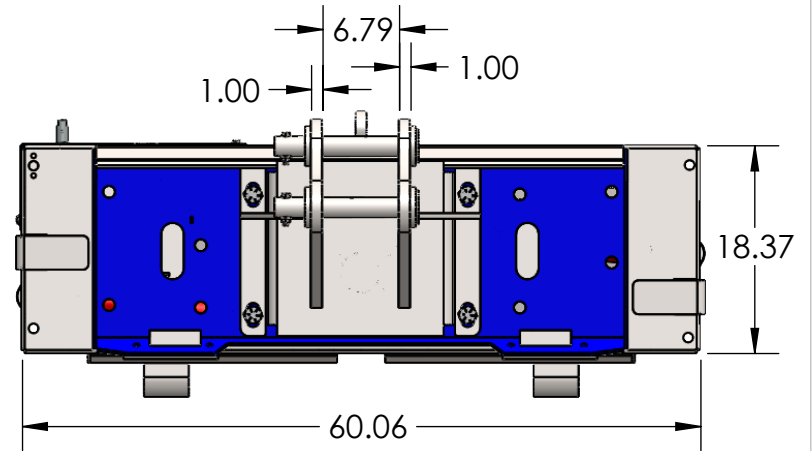
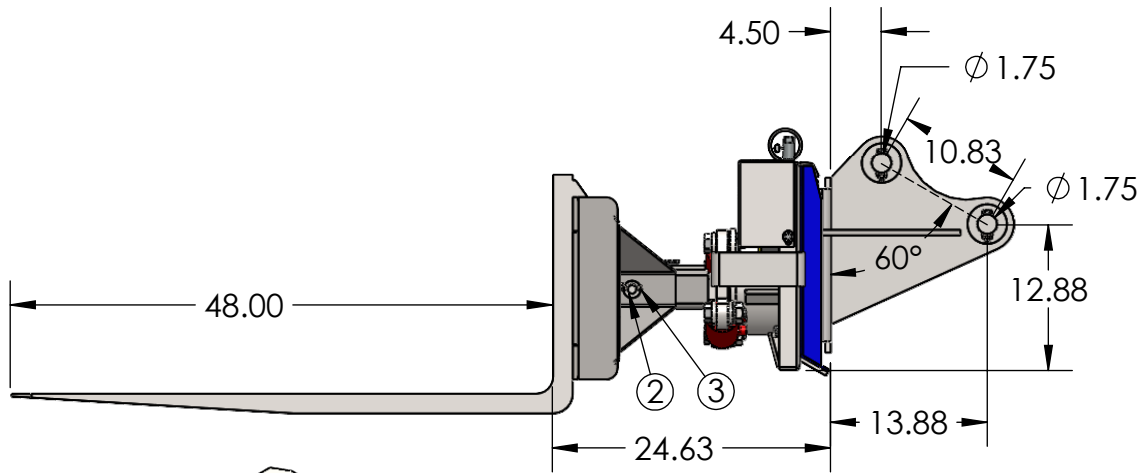


ITEM NO.	PART NUMBER	DESCRIPTION	QTY.
1	EZ-01-0001	STANDARD BASE	1
2	FA11197-01206	3/4" DIA 6-1/4"L STEEL HITCH PIN	1
3	HDW-00-0035	COTTER PIN FOR 3/4" PIN	1
4	JD-01-0112	JOHN DEERE 60G MOUNT ON BUMP OUT PLATE	1
5	FA0166995	1"-8 GRADE F ZINC FINISH STEEL FLANGE TOP LOCK NUT	4
6	FA15465	1"-8 x 3" GRADE 8 YELLOW ZINC HEX CAP SCREW	4
7	JD-01-0039	PIN WELDMENT	2
8	FA0166990	1/2"-13 GRADE F ZINC FLANGE TOP LOCK NUT	2
9	FA15213	1/2"-13 x 2-1/2" GRADE 8 YELLOW ZINC HEX CAP SCREW	2
10	FT-01-0009	FORK LIFT TOOL HEAD	1



UNLESS OTHERWISE SPECIFIED:

DIMENSIONS ARE IN INCHES
TOLERANCES:
FRACTIONAL ±
ANGULAR: MACH ± BEND ±
TWO PLACE DECIMAL ±
THREE PLACE DECIMAL ±

INTERPRET GEOMETRIC
TOLERANCING PER:

MATERIAL

FINISH

DO NOT SCALE DRAWING

	NAME	DATE
DRAWN	BEVAN	8/20/2021
CHECKED		
ENG APPR.		
MFG APPR.		
Q.A.		
COMMENTS:		

EZ-SPOT-UR

TITLE:

JOHN DEERE 60G MOUNT
ON THE STANDARD BASE

SIZE	DWG. NO.	REV
A	JD-01-0200-E - JD 60G MOUNT WITH FORK TOOL	

SCALE: 1:17 WEIGHT: 1090.42 LBS SHEET 1 OF 1

PROPRIETARY AND CONFIDENTIAL

THE INFORMATION CONTAINED IN THIS
DRAWING IS THE SOLE PROPERTY OF
EZ-SPOT-UR. ANY REPRODUCTION IN PART
OR AS A WHOLE WITHOUT THE WRITTEN
PERMISSION OF EZ-SPOT-UR IS PROHIBITED.

NEXT ASSY

USED ON

APPLICATION