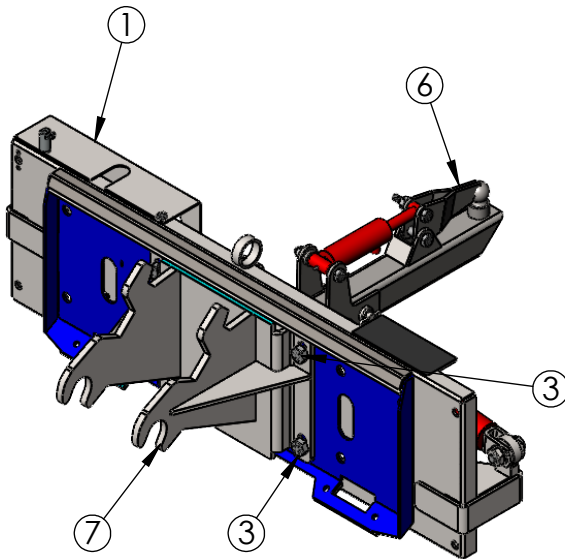
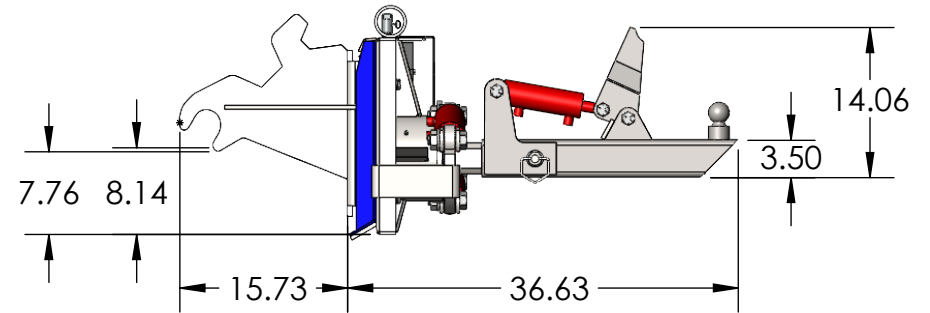
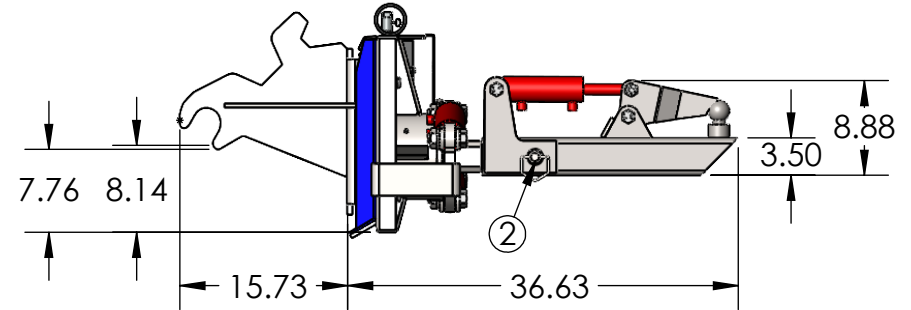
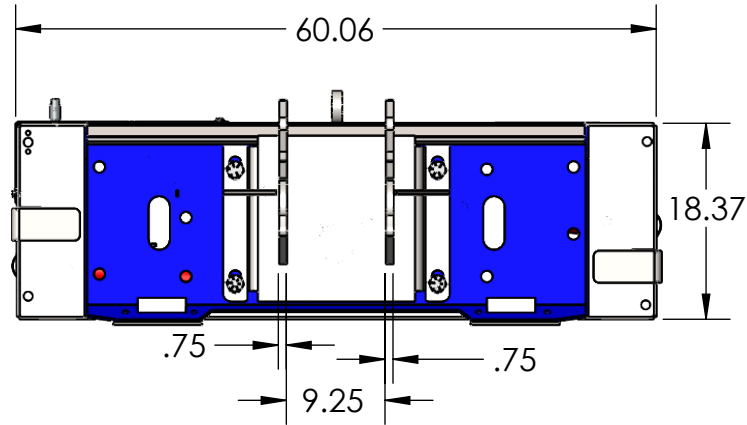


ITEM NO.	PART NUMBER	DESCRIPTION	QTY.
1	EZ-01-0001	STANDARD BASE	1
2	FA11197-01206	3/4" DIA 6-1/4"L STEEL HITCH PIN	1
3	FA15465	1"-8 x 3" GRADE 8 YELLOW ZINC HEX CAP SCREW	4
4	FA0166995	1"-8 GRADE F ZINC FINISH STEEL FLANGE TOP LOCK NUT	4
5	HDW-00-0035	COTTER PIN FOR 3/4" PIN	1
6	HT-01-0001	HITCH TOOL ASSEMBLY	1
7	HTH-01-032	ZX35U-NA-2 MOUNT ON THE BUMP OUT PLATE	1



UNLESS OTHERWISE SPECIFIED:

DIMENSIONS ARE IN INCHES  
 TOLERANCES:  
 FRACTIONAL ±  
 ANGULAR: MACH ± BEND ±  
 TWO PLACE DECIMAL ±  
 THREE PLACE DECIMAL ±

INTERPRET GEOMETRIC  
 TOLERANCING PER:

MATERIAL

FINISH

	NAME	DATE
DRAWN	BEVAN	1/17/2020
CHECKED		
ENG APPR.		
MFG APPR.		
Q.A.		
COMMENTS:		

# EZ-SPOT-UR

TITLE:

STANDARD BASE WITH  
 ZX35U-NA MOUNT ON BUMP  
 OUT PLATE

SIZE	DWG. NO.	REV
<b>A</b>	HTH-01-033-D - ZX35U-NA MOUNT WITH HITCH TOOL	

SCALE: 1:18 WEIGHT: 596.99 LBS SHEET 1 OF 1

**PROPRIETARY AND CONFIDENTIAL**

THE INFORMATION CONTAINED IN THIS DRAWING IS THE SOLE PROPERTY OF EZ-SPOT-UR. ANY REPRODUCTION IN PART OR AS A WHOLE WITHOUT THE WRITTEN PERMISSION OF EZ-SPOT-UR IS PROHIBITED.

NEXT ASSY	USED ON	APPLICATION	DO NOT SCALE DRAWING