



ATTACHMENTS

Make it EZ!

1-877-433-5733

www.ezspotur.com



Make it EZ!

MINI POLE JACK EZ-MPJ001





Make it EZ!



SAFETY FEATURES



Make it EZ!

DECAL SAFETY
All units have
pictorial and
written caution
decals





SPRING HOSE MOUNT

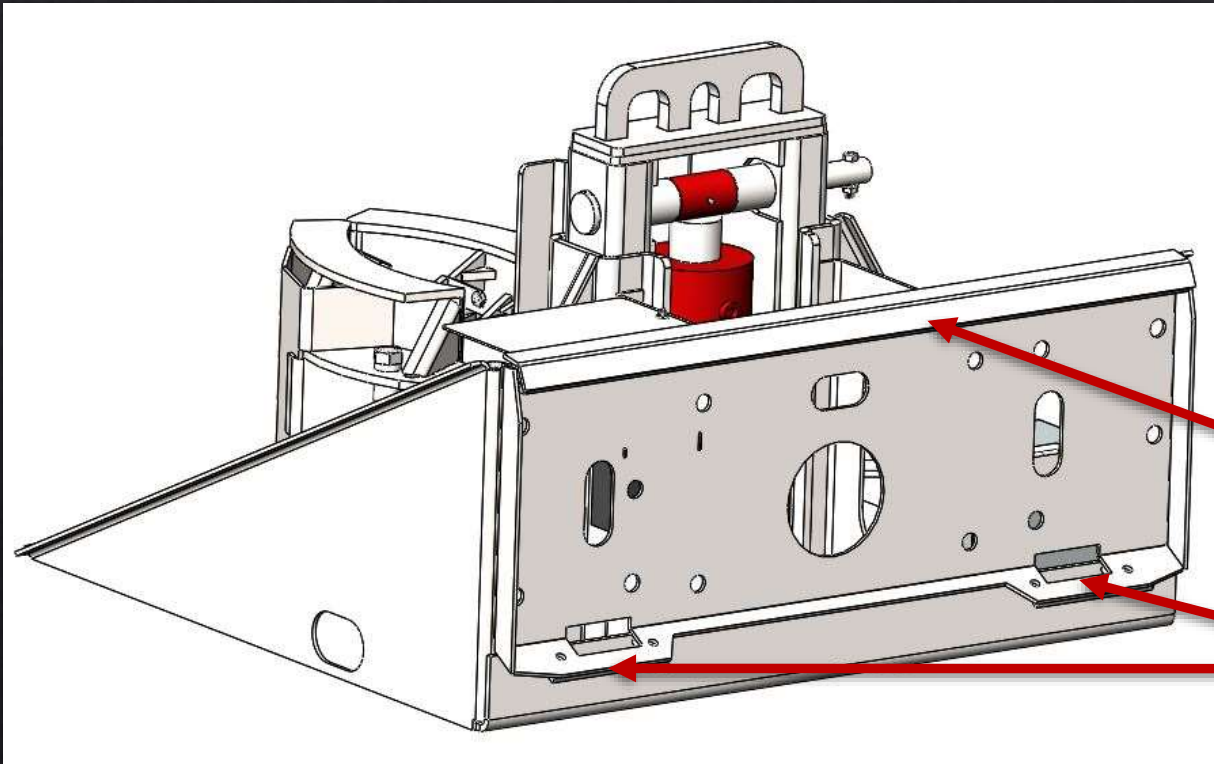
HOSE SAFETY

- All hydraulic hoses are Cordura protected.
- Hoses have an operating pressure of 3,000psi
- Hoses have a burst pressure of 12,000 psi.
- The spring hose unit ensures that the hydraulic line will not get pinched.
- The spring hose unit keeps the hoses out of the dirt

CONNECTION SAFETY

Quick attach plate has gusset on top for extra support

Quick attach plate has doublers at the pin holes to insure they will not tear out.



QUICK ATTACH GUSSET

DOUBLERS



**PULL UTILITY
POLES
&
TRANSMISSION
POLES**



Make it EZ!

SAFE

FAST



ONE MAN OPERATIONAL



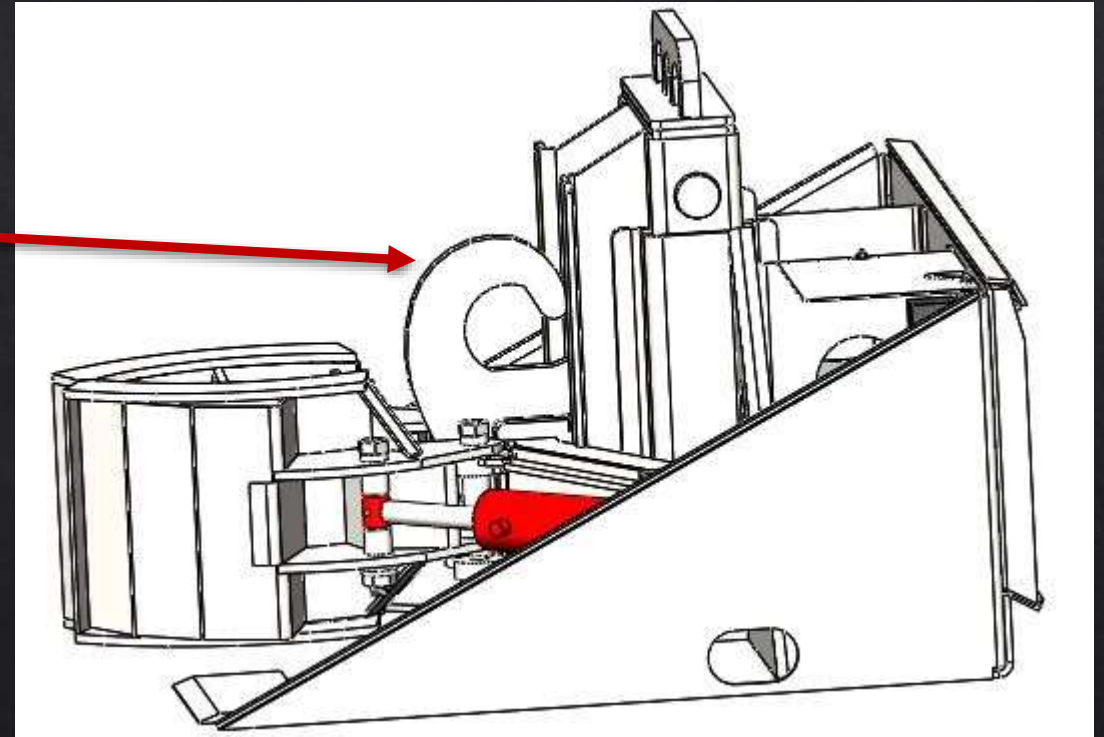
EZ SPOT UR
ATTACHMENTS

Make it EZ!

CHAIN HOOK

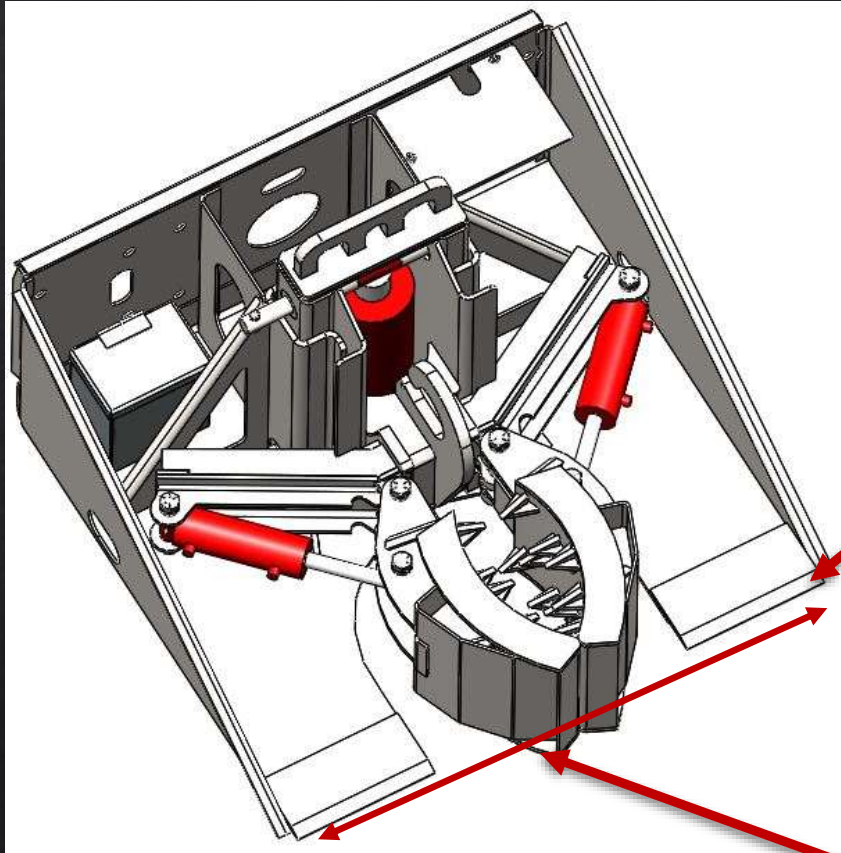
CHAIN HOOK

- Allows for chain to be wrapped around the pole for added grip
- Use grade 80 chain or higher





Make it EZ!



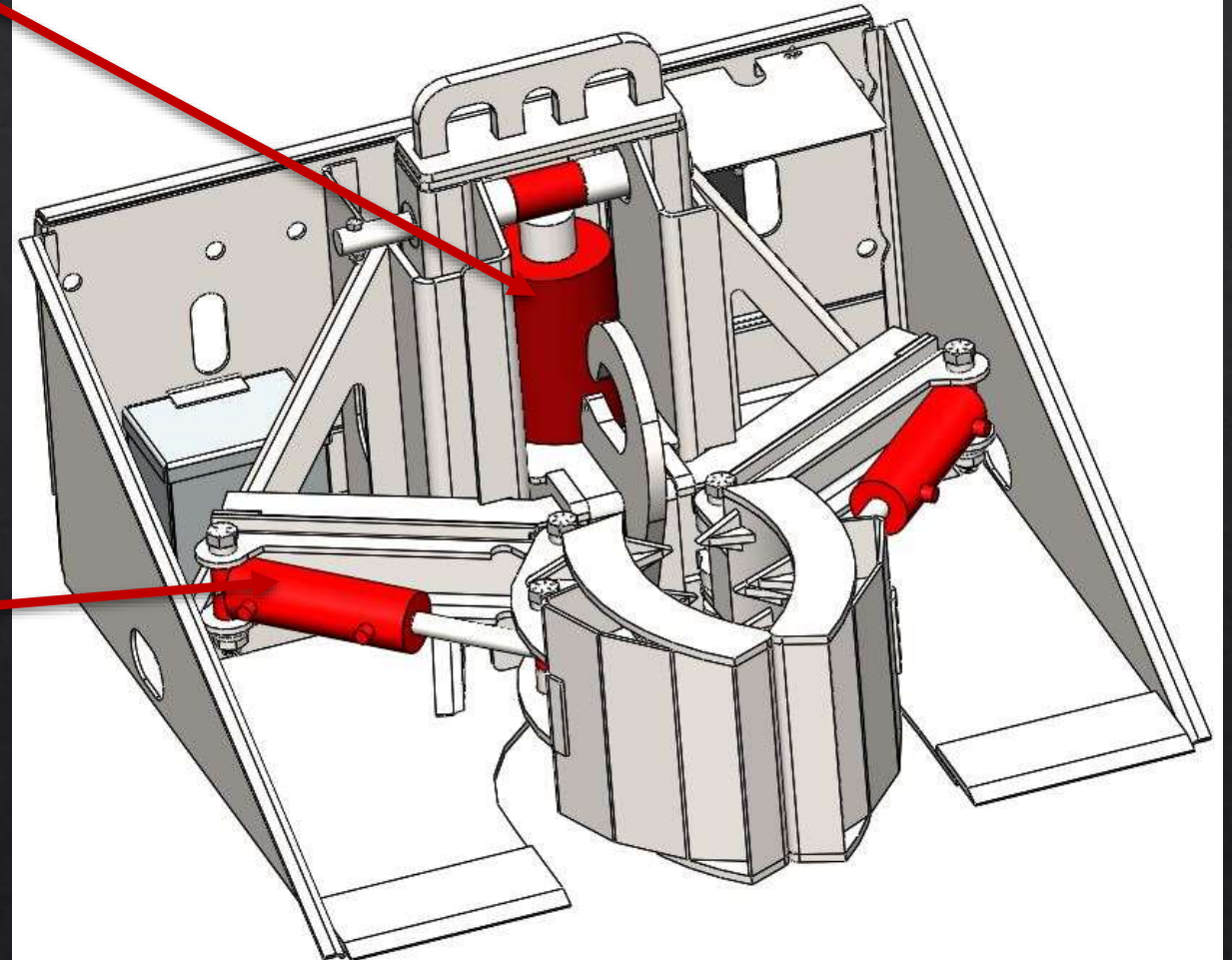
Cutting Edge on the Bottom of the Pole Jack cuts through dirt mound at base of pole to ensure access to the pole

Width of base is 48.5 inches which provides a stable platform for pulling poles

Clamp Specifications

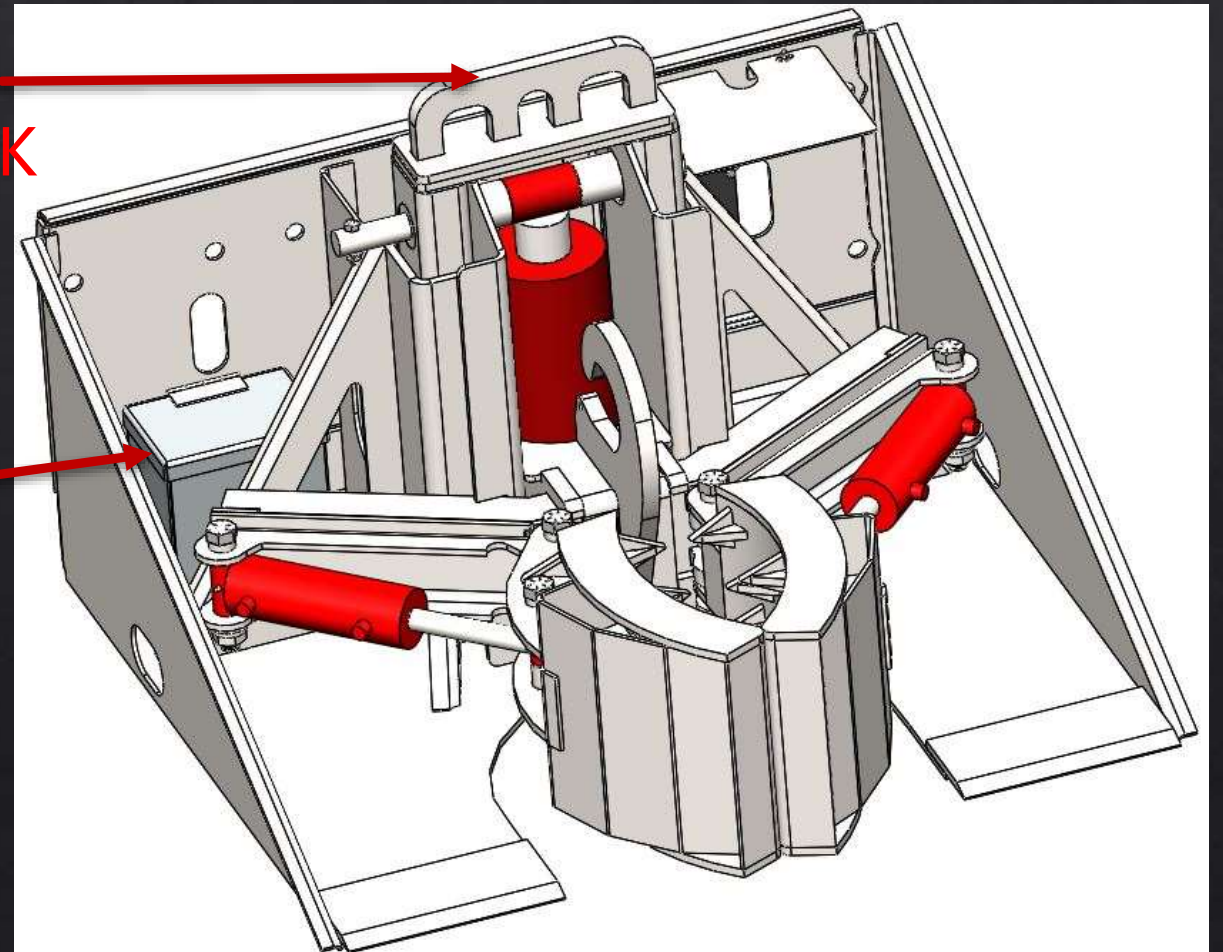
1. EXTRACTION CYLINDER
 - 6"X12" EXTRACTION CYLINDER
 - Break out force of 84,823 lbs
 - Extracts pole from the ground

2. CLAMP CYLINDERS
 - 3"x6" CLAMP CYLINDERS
 - Break out force of 21,206 lbs
 - Grips pole securely



LIFTING POINT FOR PLACING POLE JACK WITH A DIGGER DERRICK TRUCK

OPTIONAL BATTERY BOX WITH RADIO TRANSMITTER FOR USE WITH A DIGGER DERRICK TRUCK



PRODUCT SPECIFICATIONS

- Universal Quick Tach' mounting system.
- Can be adapted to fit any machine.
- 1280 lbs. attachment weight.
- Jaws open to 31 inches
- Minimum pole diameter is 5 inches
- Stand-alone unit
- Rubber inserts can be purchased for removing metal and concrete poles.



EZ SPOT UR
ATTACHMENTS *Make it EZ!*



PRODUCT SPECIFICATIONS

- 1 7/16" 4140 pins for extraction cylinder
- 60,200 psi yield strength
- Comes complete with flush face coupler
- Spring hose mount included
- Wiring harness included.
- Composed of Grade 80 material or higher
- Core welded to withstand years of wear and tear.



Make it EZ!

Important Tips

- The Mini Pole Jack is strictly used for pulling poles and not handling poles.
- A Digger Derrick or other equipment is required to handle and control the pole when it is out of the ground.
- The base plate should never leave the ground when pulling poles
- The base of the Mini Pole Jack needs to be as flat as possible on the ground
- The jaws of the Mini Pole Jack should be parallel to the pole



EZ SPOT UR
ATTACHMENTS *Make it EZ!*

MINI POLE JACK VIDEO





ATTACHMENTS

Make it EZ!

ALL EZ SPOT UR PRODUCTS ARE PROUDLY MADE IN THE USA

ALL EZ SPOT UR ATTACHMENTS COME WITH A ONE YEAR WARRANTY

