

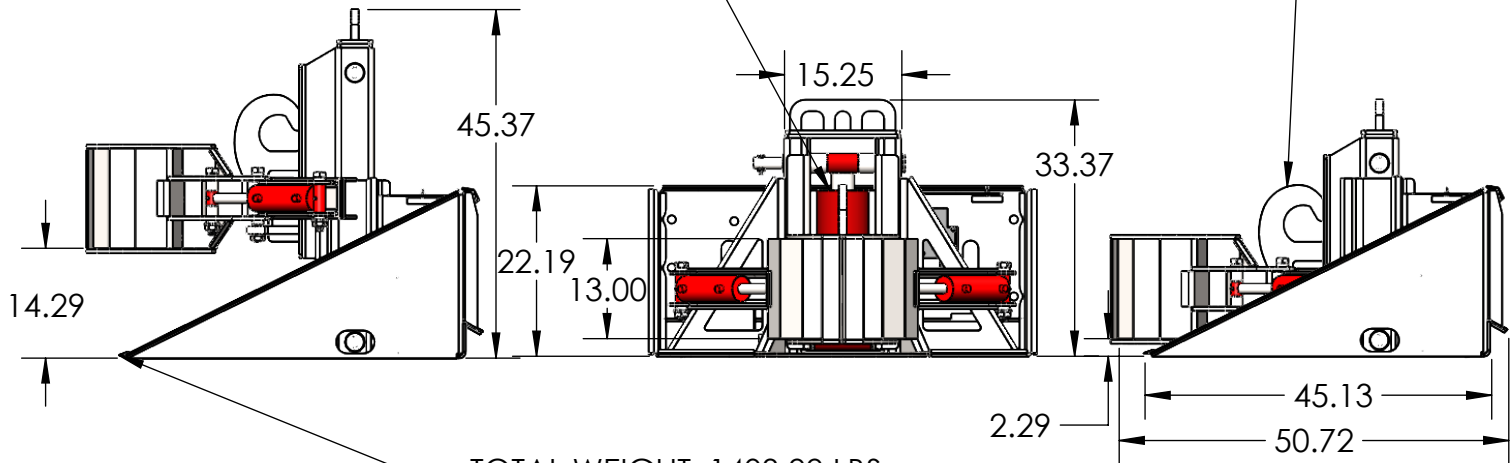
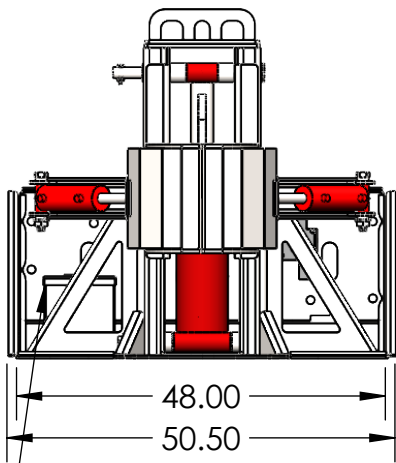
3" BORE X 6" STROKE (76.2 mm BORE x 152.4 mm STROKE)
 21,208 LB (94.33 kN) PUSH AT 3000 PSI
 17,524 LB (77.95 kN) PULL AT 3000 PSI
 16,258 LB (72.32 kN) PUSH AT 2300 PSI
 13,435 LB (59.76 kN) PULL AT 2300 PSI

INSERTS CAN BE METAL
 CLEATED OR RUBBER LINED

6" (152.4 mm) BORE x 12" (304.8 mm) STROKE
 84,823 LB (377.31 kN) PUSH AT 3000 PSI
 63,617 LB (282.98 kN) PULL AT 3000 PSI
 65,031 LB (289.27 kN) PUSH AT 2300 PSI
 48,773 LB (216.95 kN) PULL AT 2300 PSI

EXTRACTION HOOK USED
 WITH CHAIN WRAPPED
 AROUND THE POLE IF POLE
 IS SLIPPING IN THE JAWS

CHAIN RECOMENDED WORKING
 LOAD OS 9,000 LBS OR HIGHER
 WITH LENGTH OF AT LEAST 8 FEET.



TOTAL WEIGHT: 1403.99 LBS

CUTTING EDGE FOR EASY ACCESS TO BOTTOM
 OF POLE EVEN WHEN THERE IS A MOUND OF
 DIRT SO BOTTOM PLATE STAYS FLAT

OPTIONAL BATTERY BOX WITH RADIO
 TRANSMITTER FOR USE WITH A
 DIGGER DERICK TRUCK

UNLESS OTHERWISE SPECIFIED:

DIMENSIONS ARE IN INCHES
 TOLERANCES:
 FRACTIONAL ±
 ANGULAR: MACH ± BEND ±
 TWO PLACE DECIMAL ±
 THREE PLACE DECIMAL ±

INTERPRET GEOMETRIC
 TOLERANCING PER:

MATERIAL

FINISH

DO NOT SCALE DRAWING

DRAWN
 CHECKED
 ENG APPR.
 MFG APPR.

Q.A.

COMMENTS:

NAME DATE
 BEVAN 10/6/2015

EZ-SPOT-UR

TITLE:

MINI POLE JACK ASSEMBLY

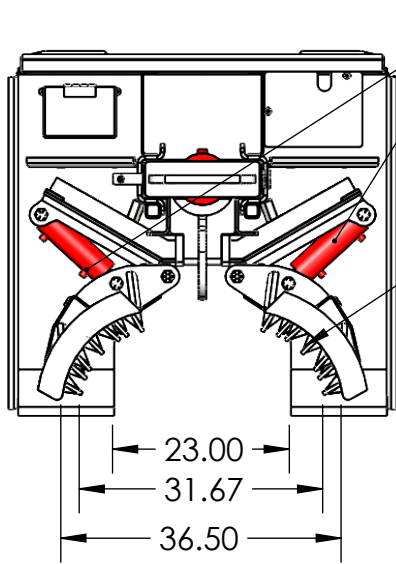
SIZE DWG. NO. REV
A MPJ-01-003-A - MINI POLE JACK SPECS

SCALE: 1:25 WEIGHT: 1403.99 LBS SHEET 1 OF 2

PROPRIETARY AND CONFIDENTIAL

THE INFORMATION CONTAINED IN THIS
 DRAWING IS THE SOLE PROPERTY OF
 EZ-SPOT-UR. ANY REPRODUCTION IN PART
 OR AS A WHOLE WITHOUT THE WRITTEN
 PERMISSION OF EZ-SPOT-UR IS PROHIBITED.

NEXT ASSY	USED ON
APPLICATION	



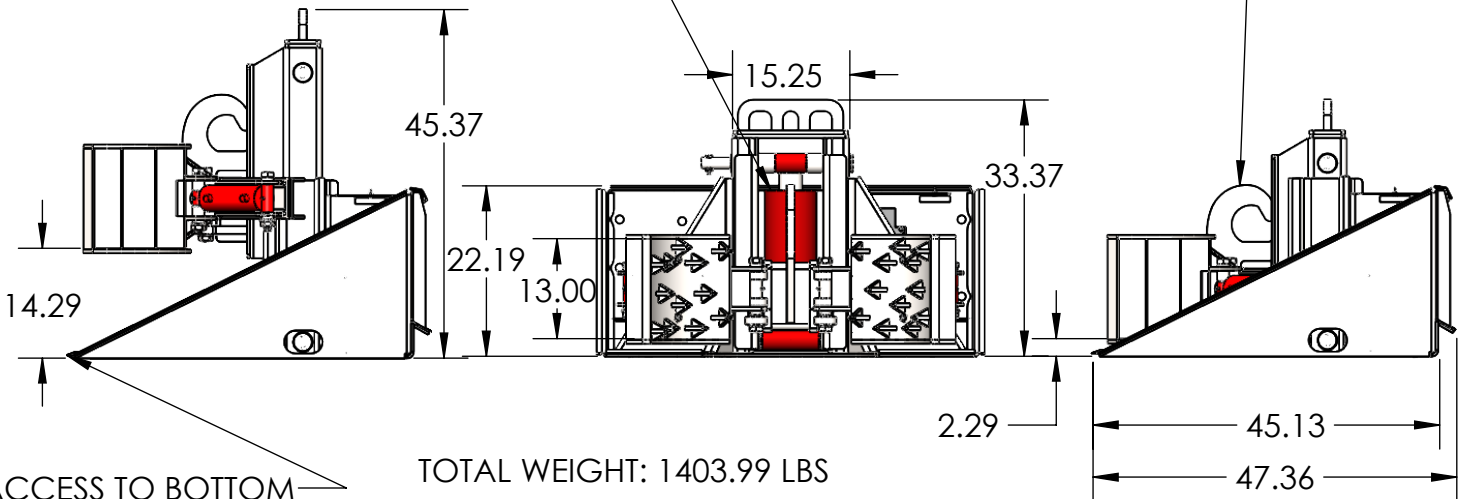
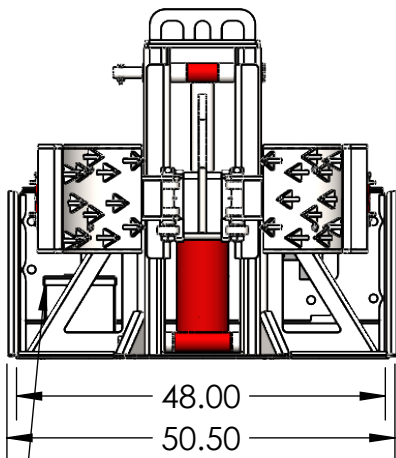
3" BORE X 6" STROKE (76.2 mm BORE x 152.4 mm STROKE)
 21,208 LB (94.33 kN) PUSH AT 3000 PSI
 17,524 LB (77.95 kN) PULL AT 3000 PSI
 16,258 LB (72.32 kN) PUSH AT 2300 PSI
 13,435 LB (59.76 kN) PULL AT 2300 PSI

INSERTS CAN BE METAL
 CLEATED OR RUBBER LINED

6" (152.4 mm) BORE x 12" (304.8 mm) STROKE
 84,823 LB (377.31 kN) PUSH AT 3000 PSI
 63,617 LB (282.98 kN) PULL AT 3000 PSI
 65,031 LB (289.27 kN) PUSH AT 2300 PSI
 48,773 LB (216.95 kN) PULL AT 2300 PSI

EXTRACTION HOOK USED
 WITH CHAIN WRAPPED
 AROUND THE POLE IF POLE
 IS SLIPPING IN THE JAWS

CHAIN RECOMENDED WORKING
 LOAD OS 9,000 LBS OR HIGHER
 WITH LENGTH OF AT LEAST 8 FEET.



TOTAL WEIGHT: 1403.99 LBS

CUTTING EDGE FOR EASY ACCESS TO BOTTOM
 OF POLE EVEN WHEN THERE IS A MOUND OF
 DIRT SO BOTTOM PLATE STAYS FLAT

OPTIONAL BATTERY BOX WITH RADIO
 TRANSMITTER FOR USE WITH A
 DIGGER DERICK TRUCK

UNLESS OTHERWISE SPECIFIED:		NAME	DATE
DIMENSIONS ARE IN INCHES		DRAWN	BEVAN 10/6/2015
TOLERANCES:		CHECKED	
FRACTIONAL ±		ENG APPR.	
ANGULAR: MACH ± BEND ±		MFG APPR.	
TWO PLACE DECIMAL ±		Q.A.	
THREE PLACE DECIMAL ±		COMMENTS:	
INTERPRET GEOMETRIC TOLERANCING PER:			
MATERIAL			
FINISH			
NEXT ASSY	USED ON		
APPLICATION			
DO NOT SCALE DRAWING			

EZ-SPOT-UR

TITLE:
 MINI POLE JACK ASSEMBLY

SIZE DWG. NO. REV
A MPJ-01-003-A - MINI POLE JACK SPECS

SCALE: 1:25 WEIGHT: 1403.99 LBS SHEET 2 OF 2

PROPRIETARY AND CONFIDENTIAL
 THE INFORMATION CONTAINED IN THIS
 DRAWING IS THE SOLE PROPERTY OF
 EZ-SPOT-UR. ANY REPRODUCTION IN PART
 OR AS A WHOLE WITHOUT THE WRITTEN
 PERMISSION OF EZ-SPOT-UR IS PROHIBITED.