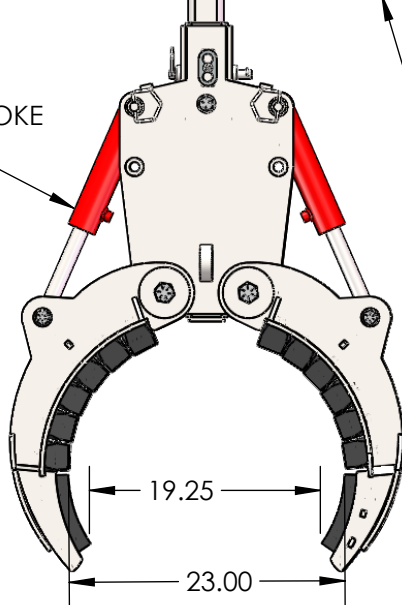
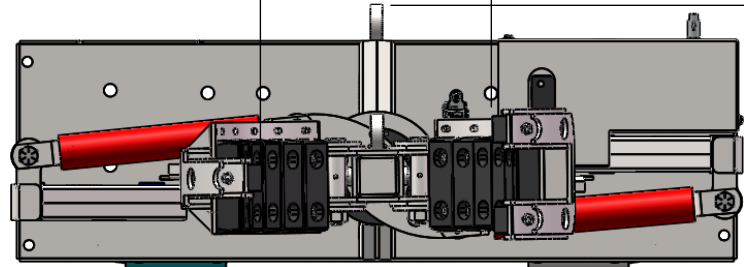


2" BORE X 6" STROKE  
9425 LB PUSH  
7069 LB PULL



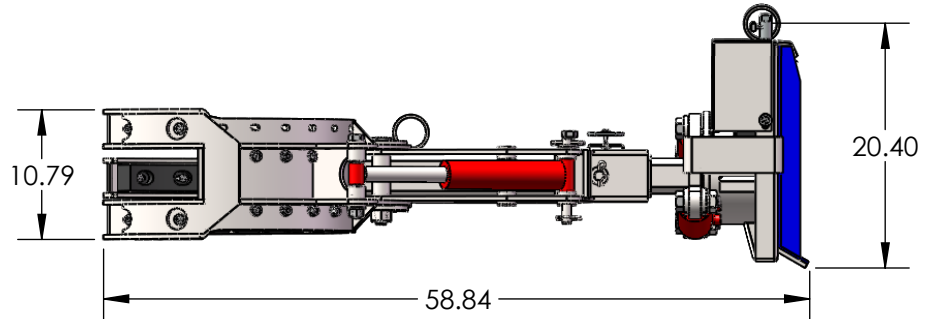
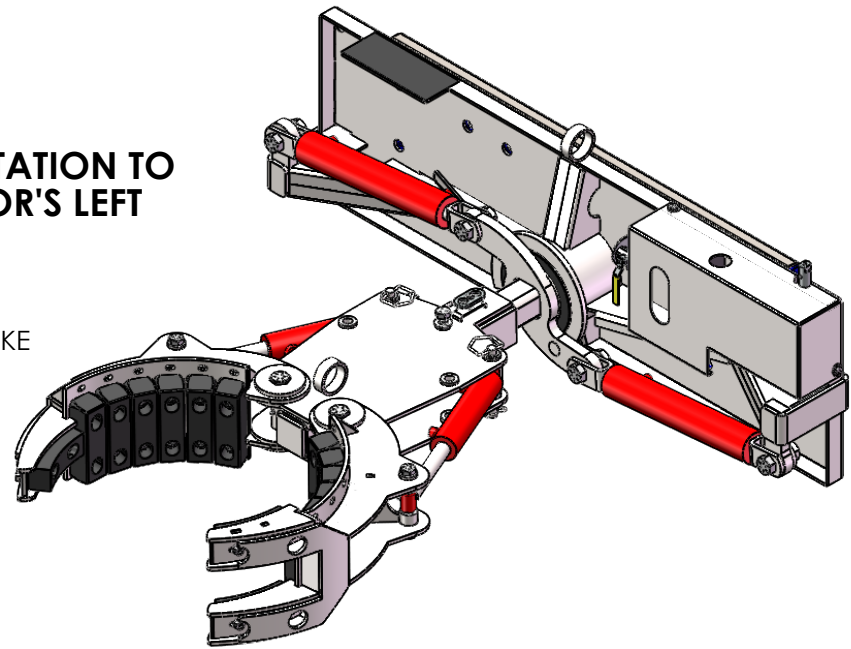
19.25  
23.00  
19.25



60.06  
21.90

127° ROTATION TO  
OPERATOR'S LEFT

2.5" BORE X 12.5" STROKE  
14726 LB PUSH  
11045 LB PULL



10.79  
58.84  
20.40

UNLESS OTHERWISE SPECIFIED:

DIMENSIONS ARE IN INCHES  
TOLERANCES:  
FRACTIONAL ±  
ANGULAR: MACH ± BEND ±  
TWO PLACE DECIMAL ±  
THREE PLACE DECIMAL ±

INTERPRET GEOMETRIC  
TOLERANCING PER:

MATERIAL

FINISH

DO NOT SCALE DRAWING

	NAME	DATE
DRAWN	BEVAN	10-17-12
CHECKED		
ENG APPR.		
MFG APPR.		
Q.A.		
COMMENTS:		

**EZ-SPOT-UR**

TITLE:

**NO ROTATION CLOSED  
BACK PIVOT**

SIZE **A** DWG. NO. TH-01-3013 - 3 FINGER TH WITH STANDARD BASE REV

SCALE: 1:16 WT: 678.52 LBS SHEET 1 OF 8

**PROPRIETARY AND CONFIDENTIAL**

THE INFORMATION CONTAINED IN THIS DRAWING IS THE SOLE PROPERTY OF EZ-SPOT-UR. ANY REPRODUCTION IN PART OR AS A WHOLE WITHOUT THE WRITTEN PERMISSION OF EZ-SPOT-UR IS PROHIBITED.

NEXT ASSY	USED ON
APPLICATION	