

## ***EZ-0006 Rock & Pole Claw***

### **Key Features**

- Attaches to a skid steer, track loader or any other machine that is equipped with the Universal Quick Tach' mounting system.
- Rotates 127 degrees to the operators left when attached to an EZ Spot UR Double Cylinder Rotating Base.
- Can also be attached to an EZ Spot UR Fixed Non-Rotating Base.
- Jaws will open to 12 inches and close completely down to 0 at the tips.
- Composed of Grade 50 material or higher to withstand years of wear and tear.

### **Equipment Specification**

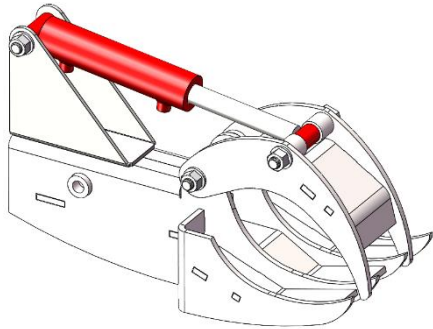
- One 2x6 inch hydraulic clamp cylinder confidently opens and closes the jaws of the attachment while ensuring a solid grip throughout. The cylinder has a breakout force of 9,425 lbs.
- Comes complete with flush faced couplers, spring hose mount and wiring harness.
- Can be adapted to fit mini-excavators, wheel loaders, telehandlers, and backhoes. \*

### **Product Description and Applications**

The EZ Spot UR Rock & Pole Claw is a versatile attachment. It is ideal for farm, ranching, and construction work. The following are common uses for the rock & pole claw:

- Moving rocks
- Handling non-decorative poles
- Constructing pole buildings
- Small tree removal
- Removing debris

Save time, money, and labor with the EZ Spot UR Rock & Pole Claw.



\* Requires specialty bolt-on mount.