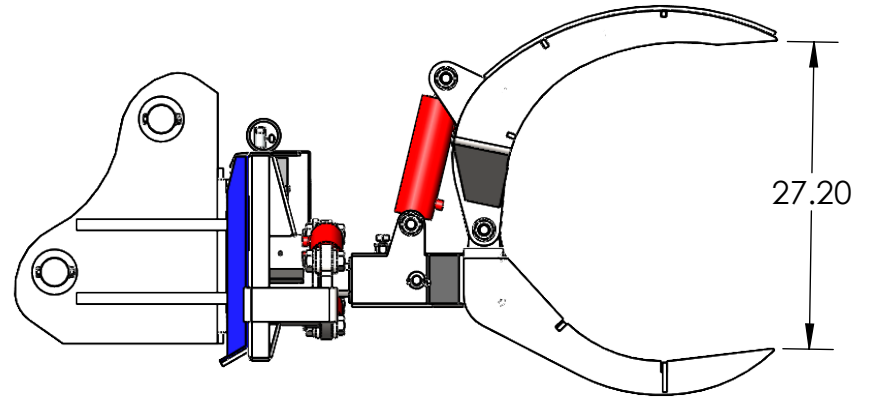
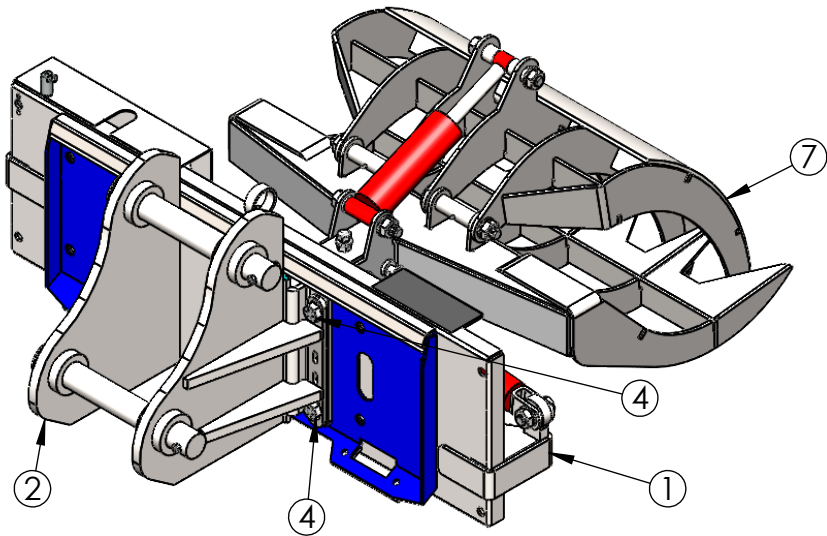
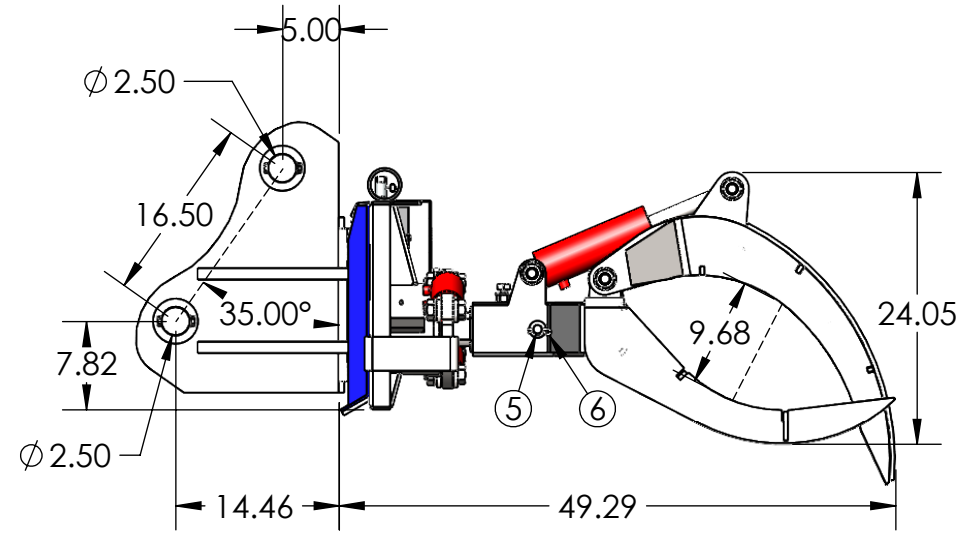
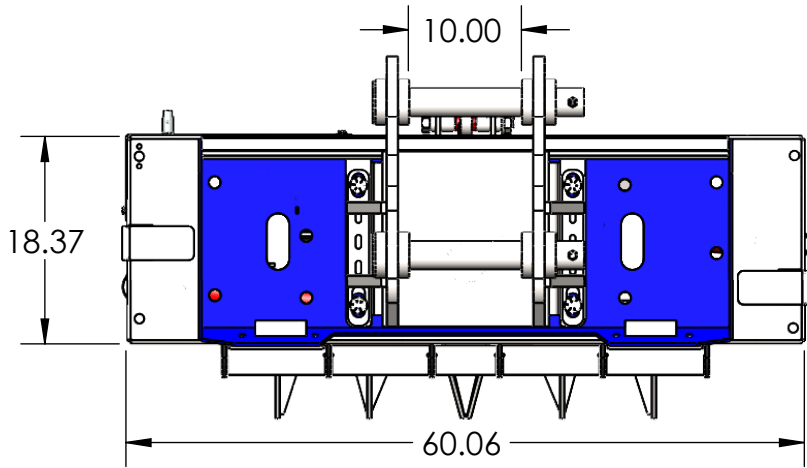


ITEM NO.	PART NUMBER	DESCRIPTION	QTY.
1	EZ-01-0001	STANDARD BASE	1
2	KO-01-0006	KOBELCO SK1155RDZ MOUNT WITH PINS	1
3	FA0166995	1"-8 GRADE F ZINC FINISH STEEL FLANGE TOP LOCK NUT	4
4	FA15465	1"-8 x 3" GRADE 8 YELLOW ZINC HEX CAP SCREW	4
5	FA11197-01206	3/4" DIA 6-1/4"L STEEL HITCH PIN	1
6	HDW-00-0035	COTTER PIN FOR 3/4" PIN	1
7	RC-01-0003	ROCK & BRUSH GRAPPLE (EZ-0009)	1



UNLESS OTHERWISE SPECIFIED:

DIMENSIONS ARE IN INCHES
TOLERANCES:
FRACTIONAL ±
ANGULAR: MACH ± BEND ±
TWO PLACE DECIMAL ±
THREE PLACE DECIMAL ±

INTERPRET GEOMETRIC TOLERANCING PER:

MATERIAL

FINISH

DO NOT SCALE DRAWING

	NAME	DATE
DRAWN	BEVAN	8/30/2021
CHECKED		
ENG APPR.		
MFG APPR.		
Q.A.		
COMMENTS:		

EZ-SPOT-UR

TITLE:

KOBELCO SK1155RDZ
MOUNT ON THE STANDARD
BASE

SIZE	DWG. NO.	REV
A	KO-01-0040-E - SK1155RDZ MOUNT ON STANDARD BASE WITH BRUSH CLAW	

SCALE: 1:17 WEIGHT: 1207.15 LBS SHEET 1 OF 1

PROPRIETARY AND CONFIDENTIAL

THE INFORMATION CONTAINED IN THIS DRAWING IS THE SOLE PROPERTY OF EZ-SPOT-UR. ANY REPRODUCTION IN PART OR AS A WHOLE WITHOUT THE WRITTEN PERMISSION OF EZ-SPOT-UR IS PROHIBITED.

NEXT ASSY	USED ON	APPLICATION

5

4

3

2

1