



**ATTACHMENTS**

*Make it EZ!*

**1-877-433-5733**

**[www.ezspotur.com](http://www.ezspotur.com)**



ATTACHMENTS

*Make it EZ!*



**ROCK & ROOT PICK**

**EZ-0012**



*Make it EZ!*



**SAFETY  
FEATURES**





## ATTACHMENTS

*Make it EZ!*

**DECAL SAFETY**  
All units have pictorial and written caution decals



**ROCK AND ROOT PICK ON  
FIXED NON-ROTATING BASE**

### ROTATION SAFETY

The rotation cycle has a mechanical stop to prevent the hydraulic cylinders from exceeding their maximum extension.

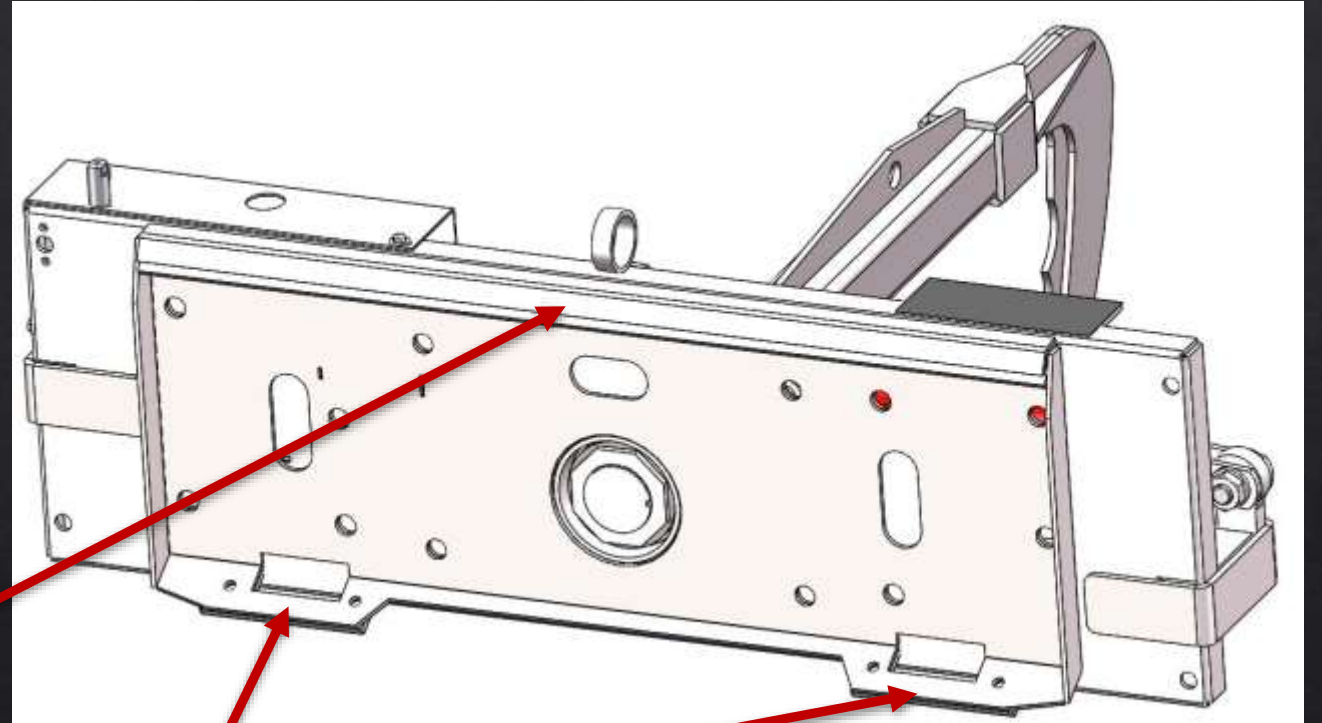


**ROCK AND ROOT PICK ON  
DOUBLE CYLINDER ROTATING BASE**

# CONNECTION SAFETY

Quick attach plate has doublers at the pin holes to insure they will not tear out.

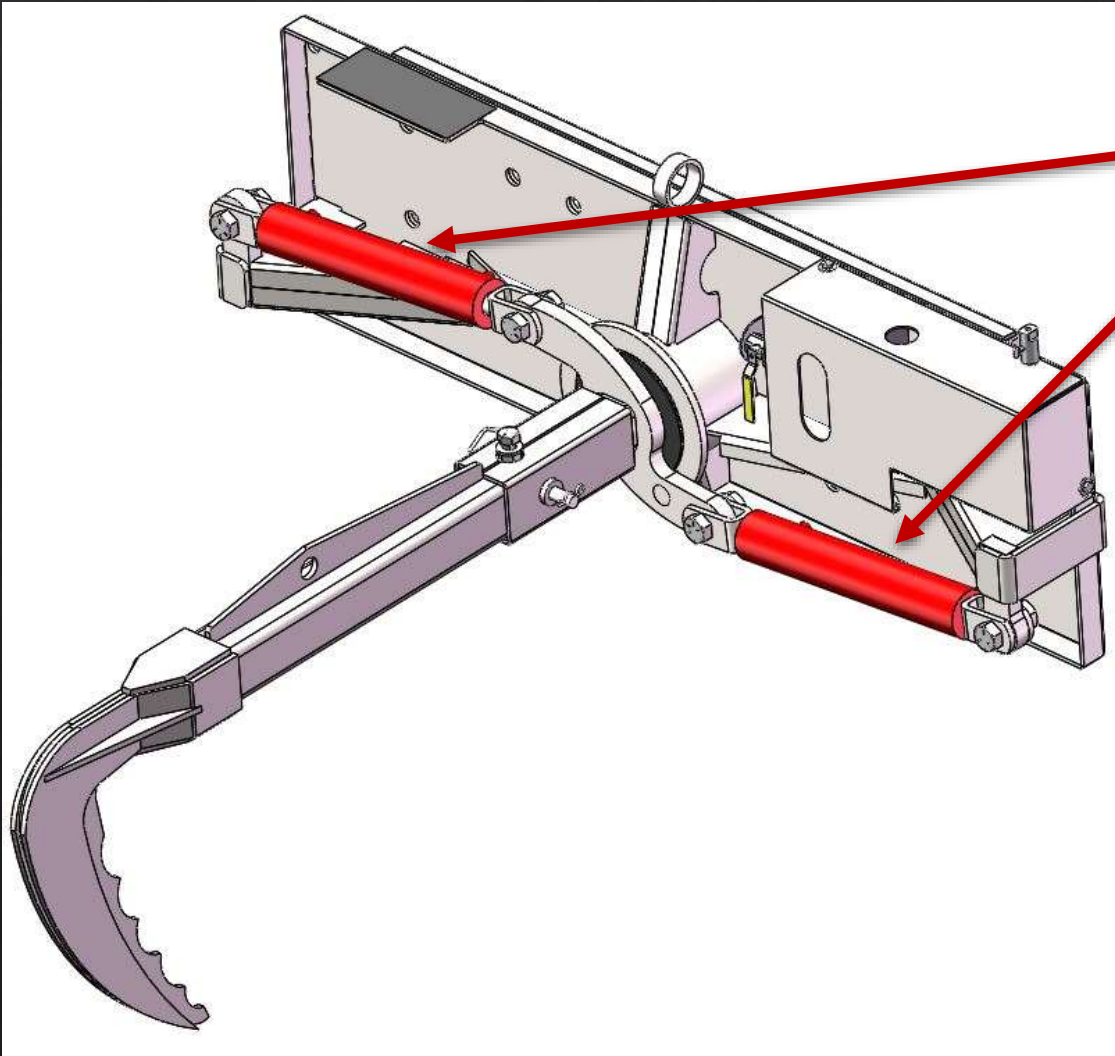
Quick attach plate has gusset on top for extra support



QUICK ATTACH GUSSET

DOUBLERS

# Cylinder Specifications

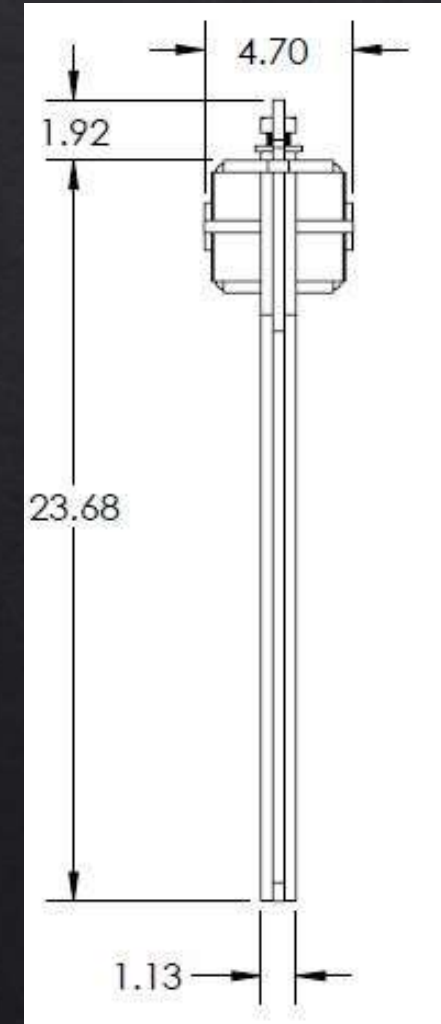
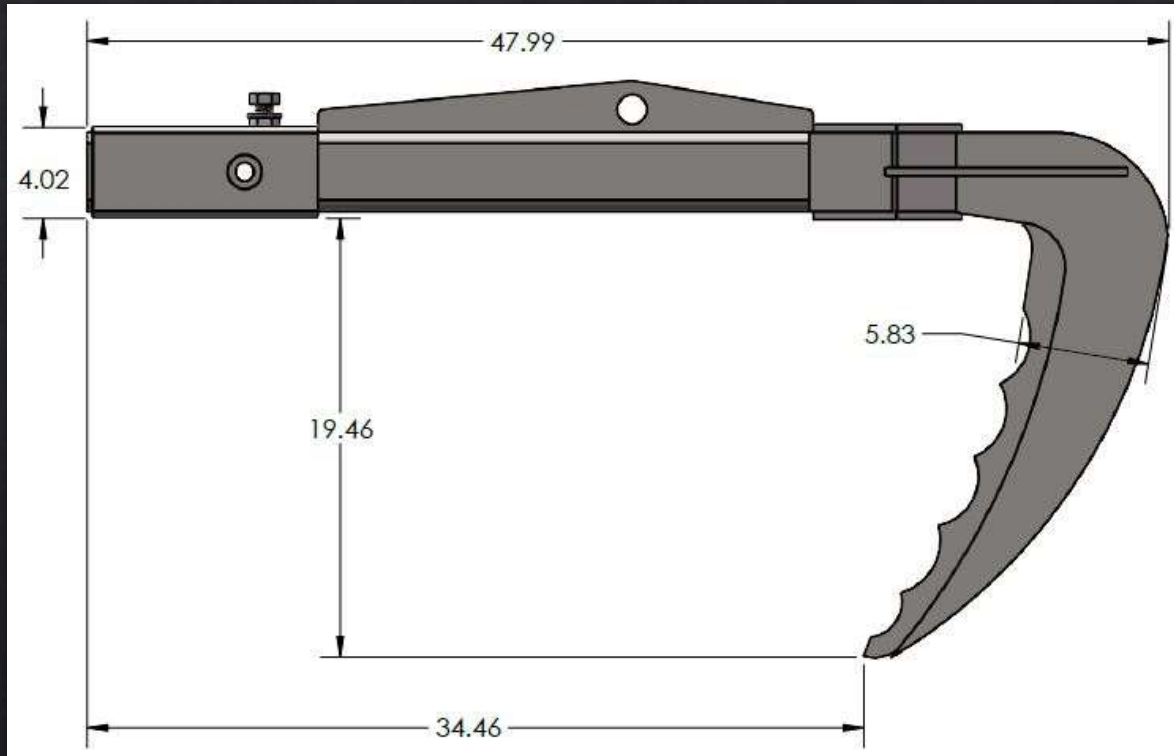


## 1. ROTATION CYLINDERS

- 2.5"x12.5" CLAMP CYLINDERS
- Break out force of 14,726 lbs



# Dimensions of Root Pick





*Make it EZ!*

**IDEAL FOR REMOVING  
ROCKS, TREE STUMPS  
AND DEBRIS**

**GREAT FOR TRENCHING  
WORK**







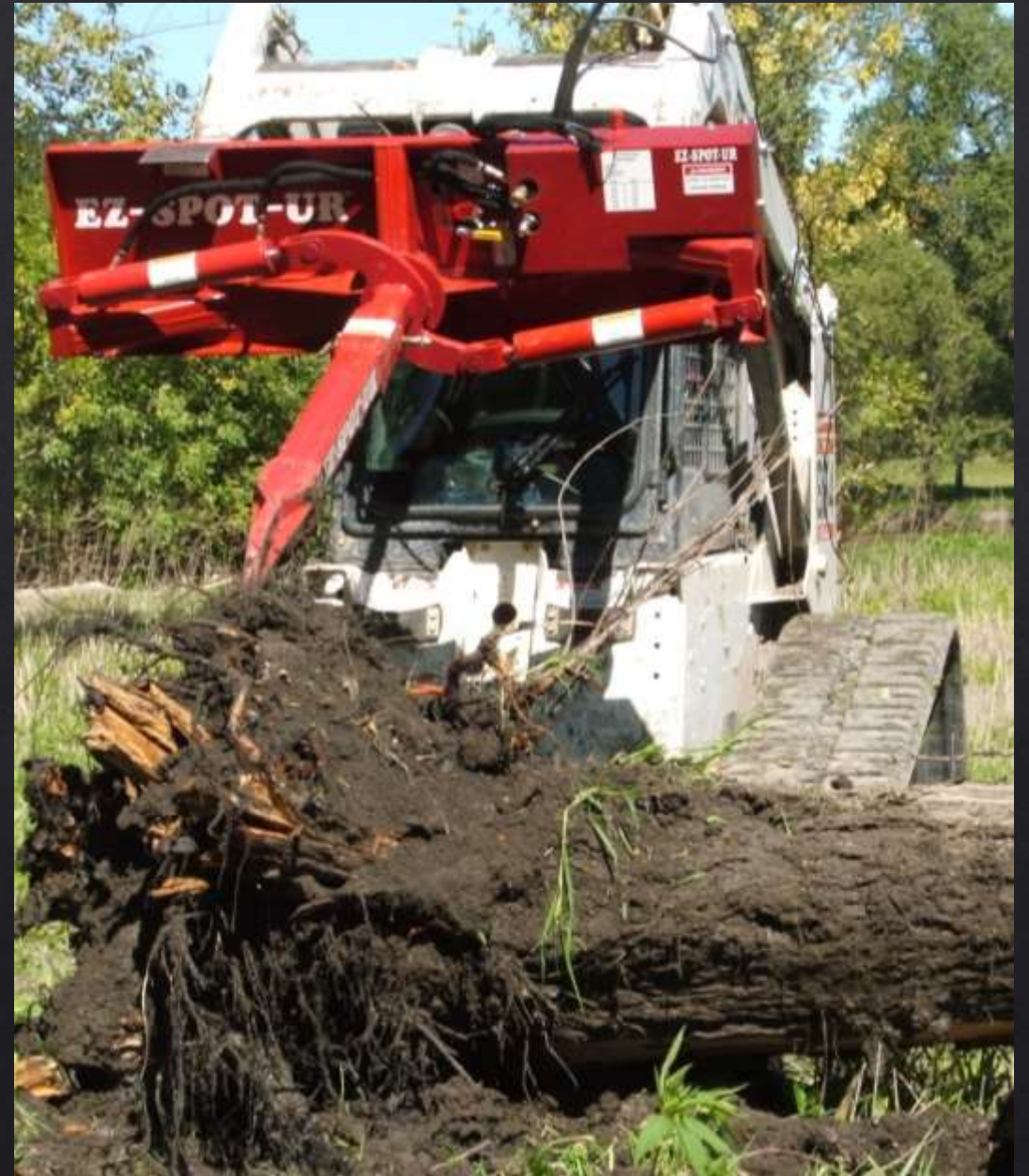
*Make it EZ!*



- Serrated and pointed blade makes it ideal for uprooting trees and rocks, trenching and digging through hard soil and frost.
- The serrated tip of the attachment is composed of Grade 80 material to withstand years of wear and tear

# PRODUCT SPECIFICATIONS

- Universal Quick Tach' mounting system.
- Can be adapted to fit any machine
- Rotates 110° to the operators left on a Double Cylinder Rotating Base.
- Can also be attached to an EZ Spot UR Fixed Non-Rotating Base.
- Attachment weight: 521 lbs with Double Cylinder Rotating Base
- 48 inch boom length.







# PRODUCT SPECIFICATIONS

- Comes complete with  $\frac{3}{4}$ " flush faced couplers
- Spring hose mount included.
- The boom is composed of Grade 50 material or higher
- Core Welded



# ROCK & ROOT PICK VIDEO







*Make it EZ!*

**ATTACHMENTS**

**ALL ATTACHMENTS ARE  
PROUDLY MADE IN THE  
USA**

**ALL ATTACHMENTS COME  
WITH A ONE-YEAR  
WARRANTY**

