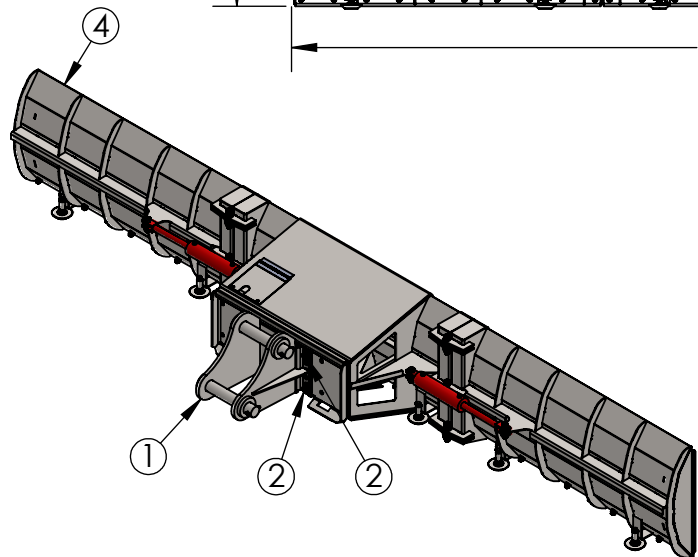
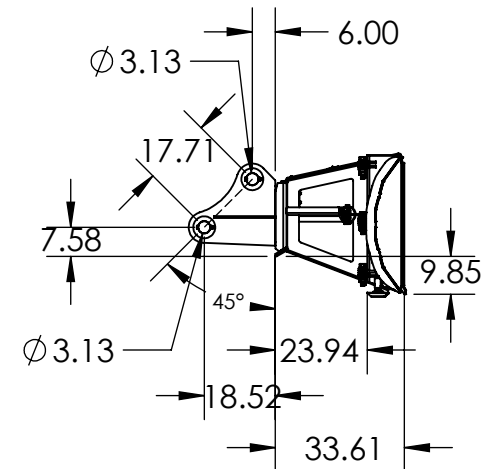
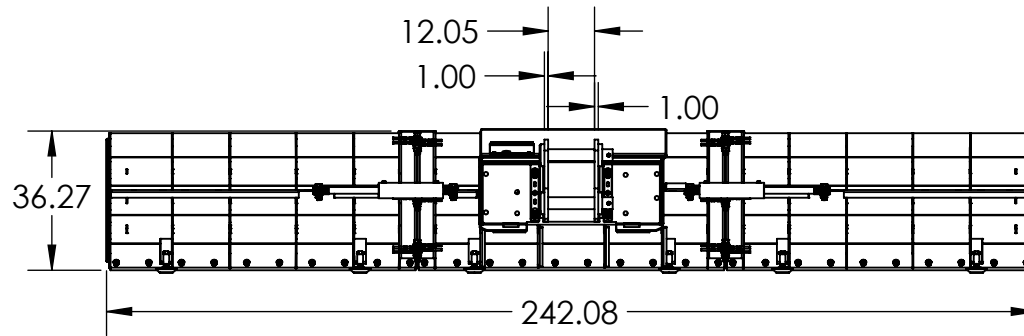
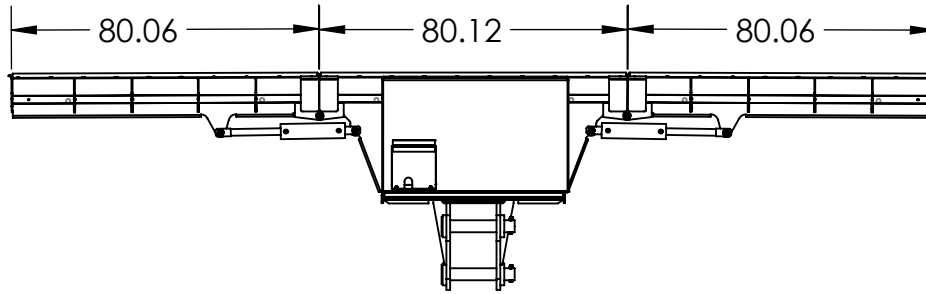


ITEM NO.	PART NUMBER	DESCRIPTION	QTY.
1	CAS-01-0011	CASE CX235 MOUNT ON BUMP OUT PLATE	1
2	FA15467	1"-8 x 3.5" GRADE 8 YELLOW ZINC HEX CAP SCREW	4
3	FA0166995	1"-8 GRADE F ZINC FINISH STEEL FLANGE TOP LOCK NUT	4
4	SNPL-01-003	SNOW PLOW ASSEMBLY	1



UNLESS OTHERWISE SPECIFIED:

DIMENSIONS ARE IN INCHES  
TOLERANCES:  
FRACTIONAL ±  
ANGULAR: MACH ± BEND ±  
TWO PLACE DECIMAL ±  
THREE PLACE DECIMAL ±

INTERPRET GEOMETRIC TOLERANCING PER:

MATERIAL

FINISH

	NAME	DATE
DRAWN	BEVAN	9/23/2021
CHECKED		
ENG APPR.		
MFG APPR.		
Q.A.		

COMMENTS:

# EZ-SPOT-UR

TITLE:  
SNOW PLOW WITH THE CASE CX235 MOUNT

SIZE	DWG. NO.	REV
<b>A</b>	CAS-01-0152-A - CX235 MOUNT ON THE SNOW PLOW	

SCALE: 1:50 WEIGHT: 2433.97 LBS SHEET 1 OF 1

**PROPRIETARY AND CONFIDENTIAL**

THE INFORMATION CONTAINED IN THIS DRAWING IS THE SOLE PROPERTY OF EZ-SPOT-UR. ANY REPRODUCTION IN PART OR AS A WHOLE WITHOUT THE WRITTEN PERMISSION OF EZ-SPOT-UR IS PROHIBITED.

NEXT ASSY	USED ON	APPLICATION	DO NOT SCALE DRAWING