



**ATTACHMENTS**

*Make it EZ!*

**1-877-433-5733**

**[www.ezspotur.com](http://www.ezspotur.com)**



**ATTACHMENTS**

*Make it EZ!*



**UTILITY CLAW**

**EZ-0005**



*Make it EZ!*



**SAFETY  
FEATURES**



# EZ SPOT UR<sup>®</sup>

*Make it EZ!*

## ATTACHMENTS

### ROTATION SAFETY

The rotation cycle has a mechanical stop to prevent the hydraulic cylinders from exceeding their maximum extension.

### DECAL SAFETY

All units have pictorial and written caution decals.

**EZ-SPOT-UR™**

THEYENNE  
FARMING  
INC.

•The inside of the jaws have a diamond tread pattern allowing it to handle numerous different types of materials.





# HOSE SAFETY



**SPRING HOSE MOUNT**

- All hydraulic hoses are Cordura protected.
- Hoses have an operating pressure of 3,000psi
- Hoses have a burst pressure of 12,000psi.
- The spring hose unit insures that the hydraulic line will not get pinched.
- The spring hose unit keeps the hoses out of the dirt



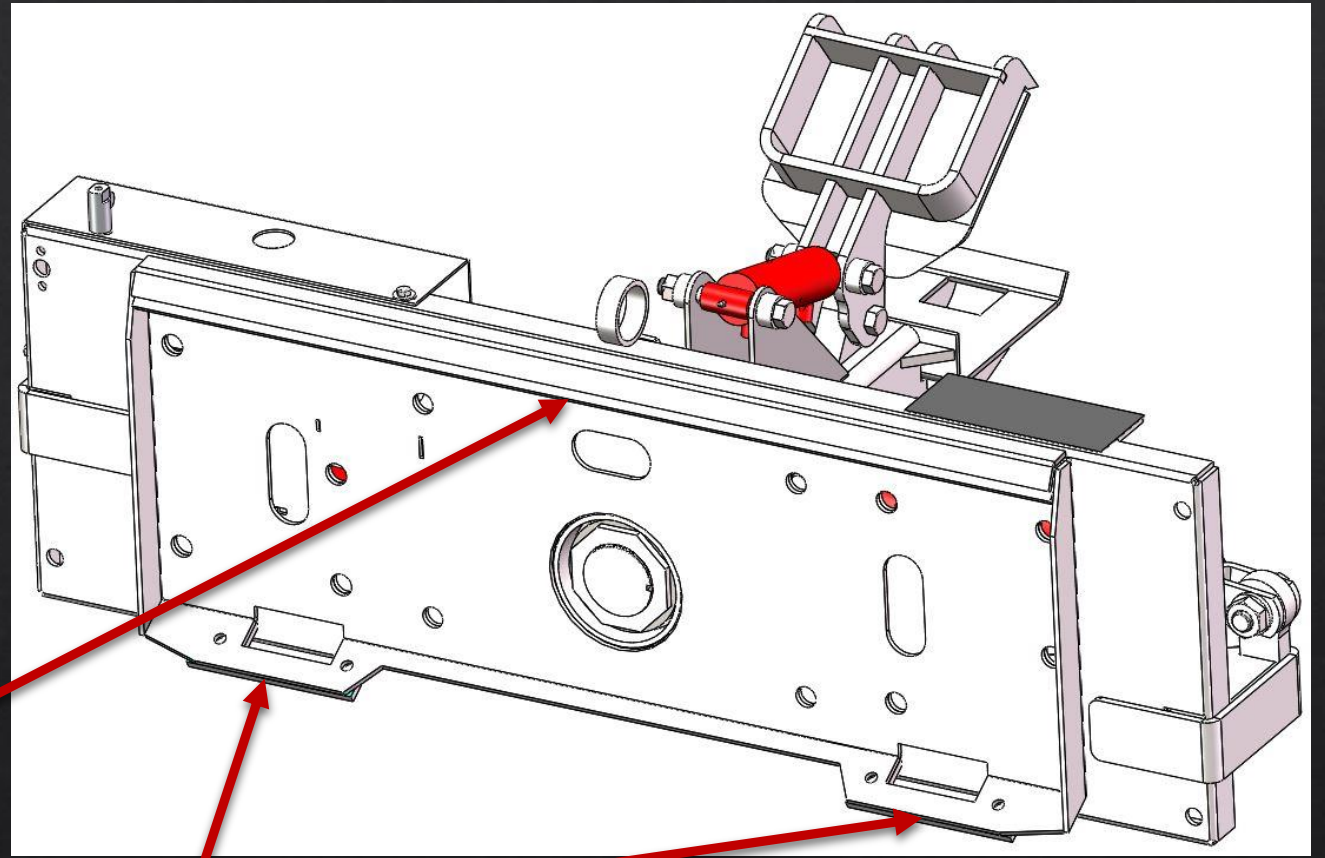
# CONNECTION SAFETY

Quick attach plate has doublers at the pin holes to insure they will not tear out.

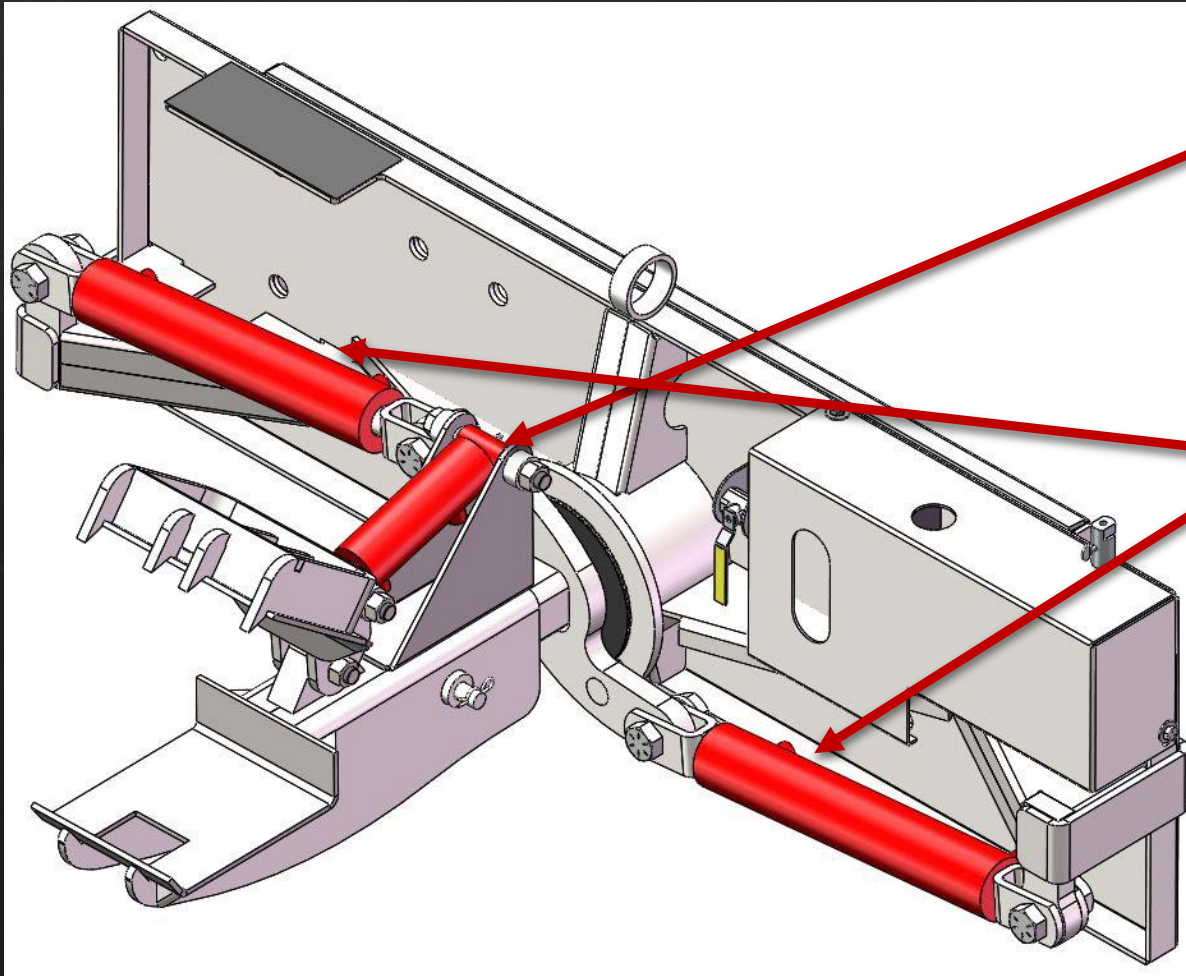
Quick attach plate has gusset on top for extra support

QUICK ATTACH GUSSET

DOUBLERS



# Cylinder Specifications



## 1. CLAMP CYLINDER

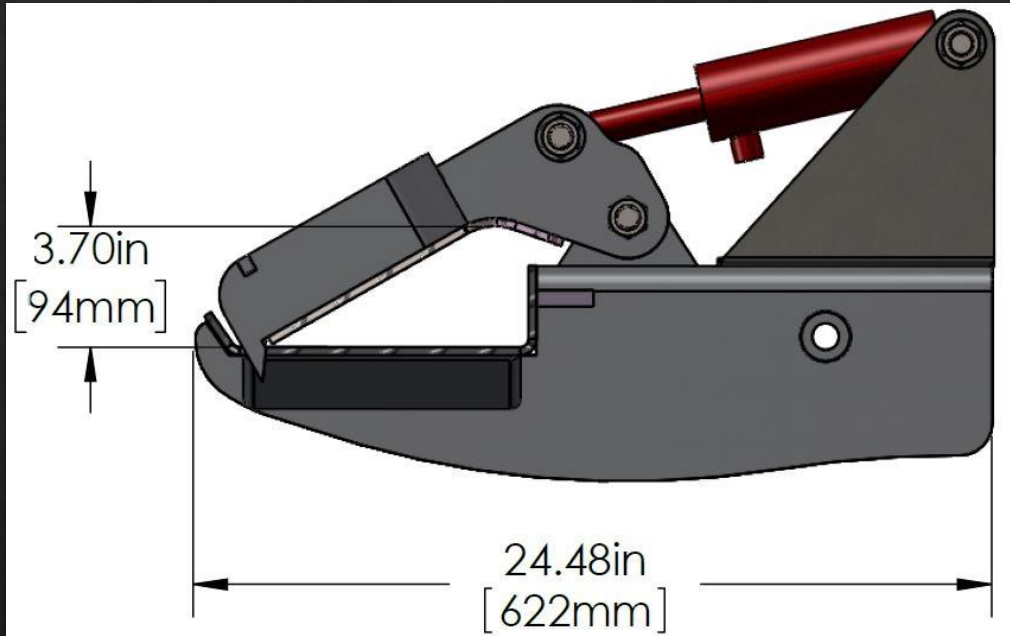
- 2"x3.5" CLAMP CYLINDER
- Break out force of 9425 lbs
- Grips material securely

## 2. ROTATION CYLINDERS

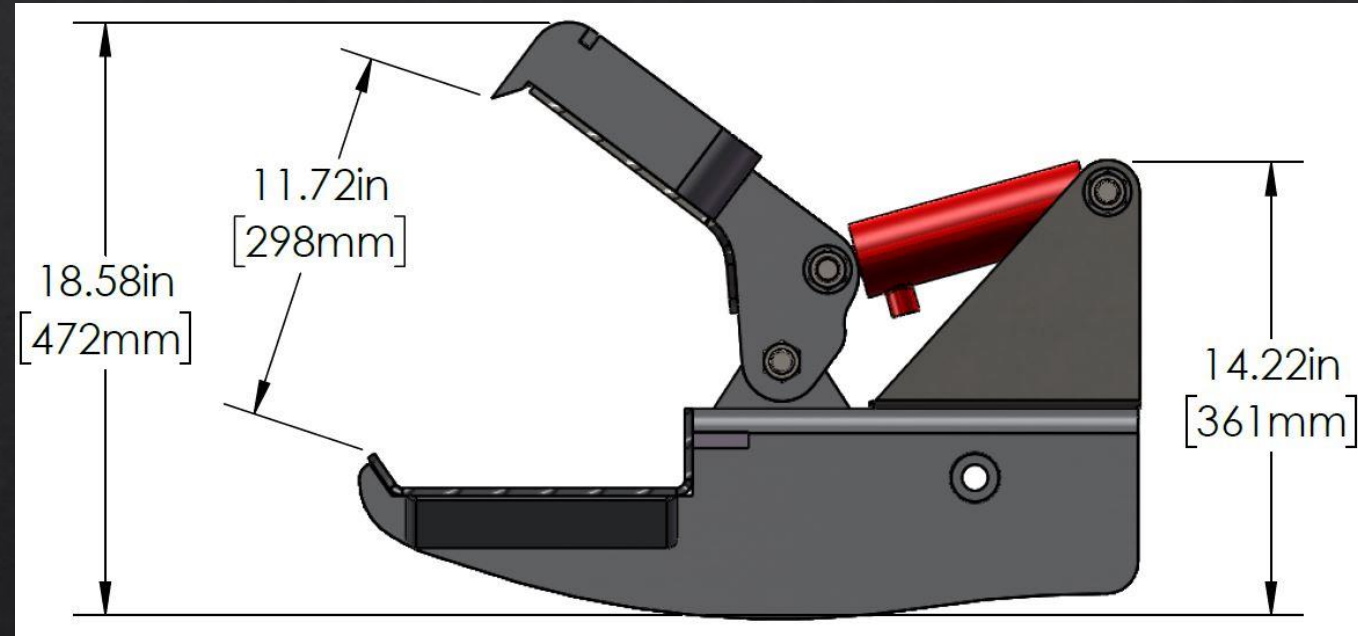
- 2.5"x12.5" CLAMP CYLINDERS
- Break out force of 14,726 lbs

# Jaws Specifications

Dimensions of closed jaws



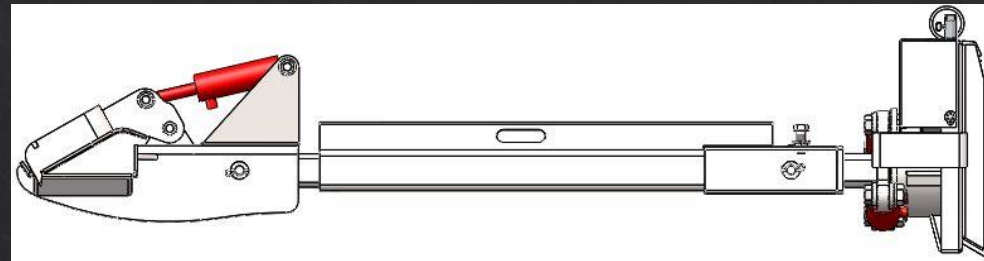
Dimensions of open jaws



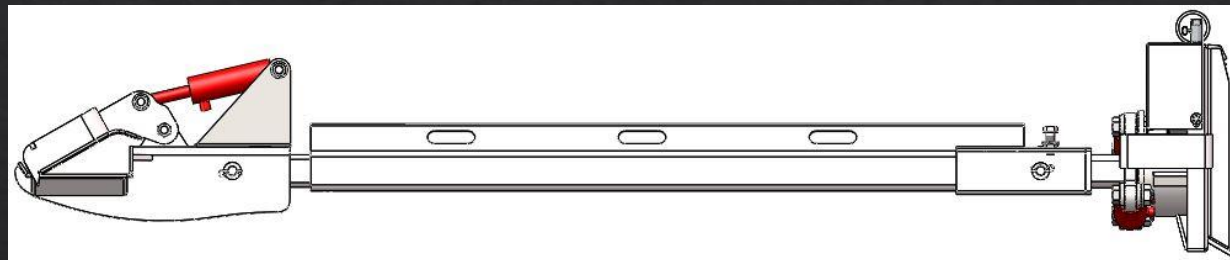


# Boom Lengths Available

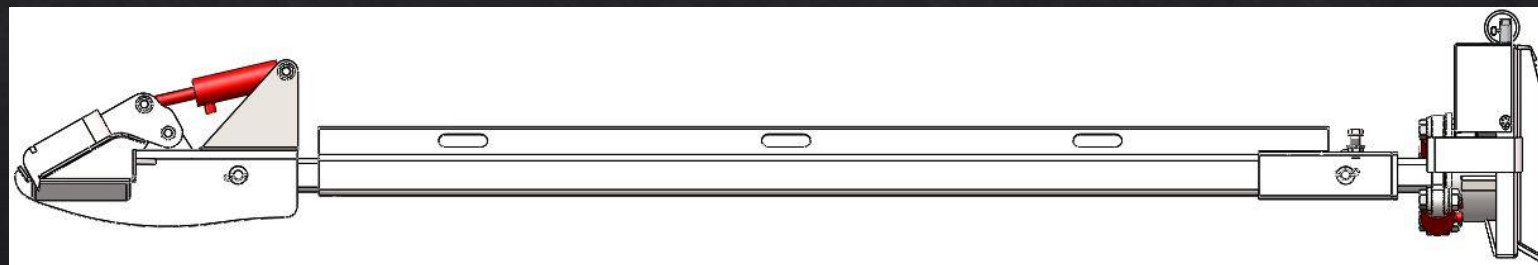
**4 FOOT BOOM**



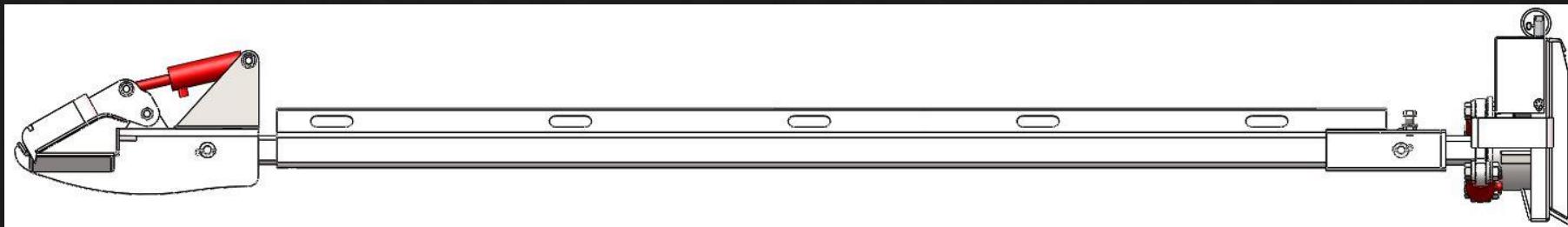
**6 FOOT BOOM**



**8 FOOT BOOM**



**10 FOOT BOOM**



**IDEAL FOR MOVING  
MATERIALS OF ANY  
SHAPE AND SIZE**



*Make it EZ!*



# PRODUCT SPECIFICATIONS

- Universal Quick Tach' mounting system.
- Attaches to any machine
- Rotates 110° to the operators left on a Double Cylinder Rotating Base.
- Can also be attached to an EZ Spot UR Fixed Non-Rotating Base.
- Attachment weight: 538 lbs with Double Cylinder Rotating Base
- Rated Weight capacity: 1,000 lb



# PRODUCT SPECIFICATIONS



- Comes complete with  $\frac{3}{4}$ " flush faced couplers
- Spring hose mount included
- Wiring harness included.
- Composed of Grade 50 material or higher
- Core welded



# UTILITY CLAW VIDEO





**EZ SPOT UR** *Make it EZ!*

**ATTACHMENTS**

**ALL EZ SPOT UR  
ATTACHMENTS ARE PROUDLY  
MADE IN THE USA**

**ALL EZ SPOT UR  
ATTACHMENTS COME WITH A  
ONE YEAR WARRANTY**

