



**AKSA Power Generation** has been producing industrial generator sets with an innovative compact design and excellence in quality for over 30 years. AKSA has been providing reliable power through three main production plants and over 15 branch offices worldwide.

**General Characteristics**

Model Name	APD-NG30
Engine Make	PSI
Engine Model	2.4L
Alternator Make	Stamford
Control Panel Make & Model	DSE 7320
Frequency & Speed	60Hz, 1800rpm
Enclosure Make & Model	AKSA AUL 31/32



**Genset Rating**

Engine	Alternator	Voltage	PF	NG Standby Power	NG Standby Current	LP Gas Standby Power	LP Gas Standby Current
	PI144H (Wnd-311)	480/277V	0.8	25kW	37.5A	25kW	37.5A
	PI144H (Wnd-311)	240/120V,1ph	1	25kW	104A	25kW	104A
PSI 2.4L	PI144H (Wnd-311)	208/120V	0.8	25kW	86.8A	25kW	86.8A
	PI144E (Wnd-17)	600/347V	0.8	25kW	30A	25kW	30A
	PI144H (Wnd-311)	240/120V	0,8	26.1kW	32.7A	26.1kW	32.7A

**\*EPA – Certified for Emergency Stationary Applications**

Stand-by Power (Maximum): Power available at variable load in the event of main power network failure. No over load is permitted.

Prime Power: Power available at variable load in lieu of a main power network. Overload of 10% is permitted for 1 hour in every 12 hours of operation.

The above ratings represent the engine performance capabilities to conditions specified in accordance with ISO 8528/5 & ISO3046.

**Derating may be required for conditions outside of the test conditions.**

**Codes & Standards**

The Generator set is designed and manufactured in a facility certified to **ISO9001** standards.

The Generator set is designed and manufactured in a facility certified to **ISO14001:2015** standards.

**AKSA Power Generation** provides **single source responsibility** for the generator set & accessories.

The generator set, with its components, are **prototype tested** and **production tested** according to the UL test program. The generator set meets **NFPA70, 99, 110, 37** Level 1 when equipped with the necessary accessories and installed per NFPA standards. \*Engine must be equipped with a fast start kit for NFPA110 Level 1 applications.




**Engine Data**

Manufacturer	PSI
Model	2.4L
Displacement & Cylinders	2.4L / 4 Cylinders
Engine Type	In-Line, 4 Cycle
Engine Speed	1800rpm
Engine Standby Power NG	31.92 Kw
Engine Standby Power PG	34.69 kW
Aspiration	Naturally Aspired
Compression Ratio	9.5 : 1
Bore / Stroke	86.5 mm / 100 mm
Governor type	Electronic

**Fuel System**

Fuel Type	NG, LP Gas/Dual Fuel
Min NG Supply pipe size	1-1/4" NPTF
Min LPG Supply pipe size	3/4"
Maximum EPR Rated Pressure	6.9 kPa / 1.0 psi
Max Pressure to EPR	2.7 kPa / 11.0 inH2O
Min Pressure to EPR	1.7 kPa / 7.0 inH2O

**Fuel Consumption**

	Natural Gas	LP Gas
Standby Power (100%)	435 cfh 12.3 m <sup>3</sup> /hr	180 cfh 5.1 m <sup>3</sup> /hr
Standby Power (75%)	340 cfh 9.6 m <sup>3</sup> /hr	140 cfh 3.9 m <sup>3</sup> /hr
Standby Power (50%)	250 cfh 7.1 m <sup>3</sup> /hr	150 cfh 3.0 m <sup>3</sup> /hr

**Electric System**

System Voltage (dc)	12V
Battery Qty, Rating	1 x 54Ah,

**Cooling System**

Radiator Cooling System Type	Closed Circuit
Heat rejected to cooling system	1520 btu/min
Cranking Temperature	160 °F
Full Open Temperature	185 °F

Type	Air cooled manifold
Max. allowable back pressure	10.2 kPa
Cont. rating catalyst configuration	No Catalyst

Exhaust Gas Flow at Rated Power @ 1350 °F	248.22 cfm
---	------------

**Air Intake System**

Combustion Air Required	74.74 cfm
Max Intake Air Restriction (Clean Element)	1.49 kPa / 3 inH2O
Air Filter Type	Dry Paper Element

**Lubrication System**

Oil Specifications	SAE 5W-30 API Rating SM or Newer
Oil Pan Capacity	4.5 Qts
Oil filter; qt, type	1, Cartridge
Max allowable oil temp	250 °F



### Alternator Data

Manufacturer	Stamford
Standards	BS EN 60034
Control System	EBS
A.V.R.	AS480
Voltage Regulation	± 1 %
Insulation System	Class H
Protection	IP23
Rated Power Factor	0.8
Stator Winding	Double Layer Concentric
Winding Pitch	Two Thirds
Winding Leads	12
Telephone Interference	THF < 2 %
Waveform Distortion	No Load < 1.5 %
Maximum Over speed	2250 rev/min

### Battery Charger & Electrical System Data

Manufacturer	ComAp
Model	InteliCharger
Input Voltage	85V ~ 264V AC
Output Voltage / Current	13.8V Float / 4A pk

### Jacket Water Heater Data

Manufacturer	Hotstart
Model	TPS101GT10-000
Input Voltage	120V
Power	1000W

### Controller Data

Manufacturer	DSE
Model	7320 MK II

### Controller Features & Benefits

Microprocessor controlled, UL & NFPA110 Compatible  
 License free PC Software (Non-proprietary Software)  
 IP65 rating offers increased resistance to water ingress  
 Modules can be integrated to building management systems  
 Real time clock provides accurate event log  
 Four line back-lit LCD text display  
 Five key menu navigation, two wire start/stop at Auto mode  
 Front panel editing with PIN protection  
 Support up to three remote display modules  
 Configurable timers and alarms  
 Multiple date and timer scheduler  
 Integral PLC editor  
 'Protections disabled' feature  
 Load switching (load shedding and dummy load outputs)  
 Fully configurable via DSE Configuration Suite PC Software  
 SCADA monitoring via DSE Configuration Suite PC Software

#### Protection

- ✓ Gen. Voltage – under / over
- ✓ Gen. Freq. – under / over
- ✓ Engine Speed – under / over
- ✓ Engine Oil Pressure – low
- ✓ Engine Temp – low / high
- ✓ Battery Voltage – low / high
- ✓ Weak Battery
- ✓ Fail to Start / Stop
- ✓ Charge Alternator Fail
- ✓ Over Current & Load (kW/kVAr)
- ✓ Unbalanced Load
- ✓ Independent Earth Fault
- ✓ Reverse Power
- ✓ Loss of Speed Signal

#### Instruments

- ✓ Gen. Voltage (L-L/L-N)
- ✓ Gen. Frequency
- ✓ Engine speed
- ✓ Oil Pressure
- ✓ Water Temperature
- ✓ Battery Voltage
- ✓ Run Time
- ✓ Phase Sequence
- ✓ Power monitoring (kWh/kVAh/kVArh)
- ✓ Power (kWh/kVAh/kVArh)
- ✓ Power Factor
- ✓ Generator Current
- ✓ Generator Load (%)
- ✓ Earth Current



**Enclosure Features**

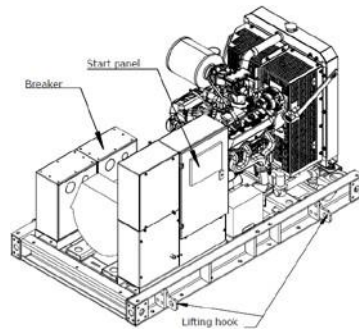
- ✓ Heavy Duty Steel / Aluminum Structure
- ✓ E-Stop on Enclosure
- ✓ Control Panel Eliminated from Engine Vibrations
- ✓ Standard Sound Attenuation Foam
- ✓ Plastic Covered Corrosion Resistant Locks & Hinges

**Enclosure Features**

- ✓ Internally Mounted Exhaust System with Rain Cap
- ✓ Coolant Fill Cap
- ✓ Removable Base Frame Lifting Hooks
- ✓ Oil & Coolant Drain Ports
- ✓ Easy Access for Maintenance

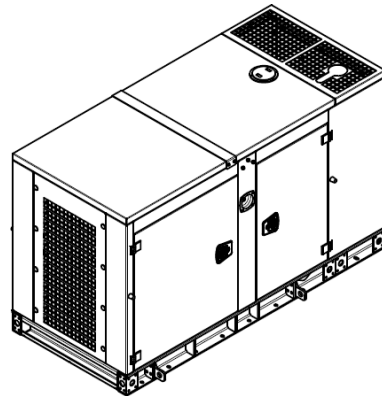
**Open Skid Gen-Set Dimensions**

Length	72 in
Width w/o lift hooks	39 in
Height	38 in
Dry Weight	1300 lb



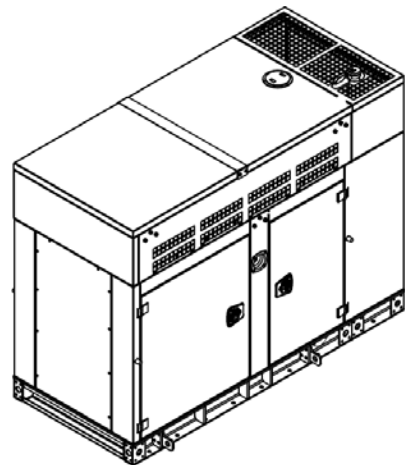
**Enclosed Gen-Set Dimensions – Level 1**

Length	89 in
Width w/o lift hooks	39 in
Height	56 in
Dry Weight	2000 lb
Sound Pressure @ 7 meters	68 dBA



**Enclosed Gen-Set Dimensions – Level 2**

Length	89 in
Width w/o lift hooks	39 in
Height	69 in
Dry Weight	2300 lb
Sound Pressure @ 7 meters	64 dBA





### Standard Features & Accessories

- ✓ UL2200 Certification
- ✓ Heavy Duty Steel Base Frame
- ✓ EBS
- ✓ Engine Jacket Water Heater
- ✓ Battery and Battery Rack
- ✓ Battery Charger
- ✓ Anti Vibration Pads between Engine/Alternator & Base Frame
- ✓ Critical Grade Silencer Inside Enclosure
- ✓ Residential Grade Silencer Set for Open Skid Sets
- ✓ Exhaust outlet rain cap and radiator fill cap
- ✓ Sound Absorb Foam Material for Enclosure
- ✓ Emergency Stop Button
- ✓ Oil Drain Valve
- ✓ Coolant Drain Valve
- ✓ Jacket Water Heater Isolation Valves
- ✓ Flex Fuel Lines
- ✓ Secondary Lock-off Valve on Baseframe
- ✓ Engine Manifold Cover
- ✓ Turbocharger Cover
- ✓ Protection Covers for Rotating Parts
- ✓ Exhaust Insulation Cover
- ✓ Enclosure DC Light
- ✓ Operations Manual
- ✓ 24 Months / 2000 hours Limited Standby Warranty

### Optional Accessories

- Main Line CB (3 / 4 Poles – 80% / 100% rated)
- Upsize Alternator
- Anti-condensation Heater
- PMG w/upsized alternator
- Gas Regulator
- NG / LP Auto Changeover Control System
- Low Gas Pressure Alarm
- Low Coolant Level Alarm
- Oil Pan Heater
- Oil Temperature Display on Controller
- Manual Speed Adjust Rheostat
- Manual Voltage Adjust Rheostat
- Remote Annunciator Panel
- Remote Control & Monitoring Panel
- Advanced SMS Messaging
- Control Panel Heater
- Battery Disconnect Switch
- Battery Heater
- Battery Charger 10/20 Amp
- Shunt Trip / Aux Contacts
- Spring Anti-vibration Isolators
- Automatic Transfer Panel (ATS)
- 5 Years / 2000 hours Limited Comprehensive Warranty

**AKSA POWER GENERATION USA LLC**

371 Exchange Street, West Monroe,  
Louisiana, 71292

Tel: 318.855.8377 Fax: 318.855.8381

E-mail: sales@aksausa.com

AKSA Power Generation USA is a member of

**KAZANCI HOLDING****DISTRIBUTED BY:**