

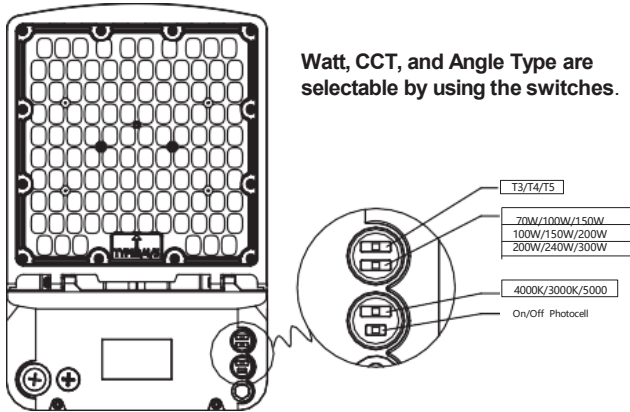
## LED SHOEBOX/ AREA LIGHT – AL03 Series



### Certification



### Flexible Features



**Application:** Commercial and industrial outdoor lighting, including parking lots, buildings and facades, storage yards, parks, and more.

### Feature

- **Field-switchable: distribution, wattage, CCT**  
Adjust light distribution (Type III, IV, or V), power output, and color temperature (3000K / 4000K / 5000K) via switches for maximum on-site flexibility.
- **High-efficiency driver (120–277V) with surge protection**  
Wide input voltage range with built-in 6kV surge protection ensures reliable, long-term performance.
- **Sensor-ready with photocell and motion capability**  
Includes built-in photocell and supports motion sensing, with optional PIR sensor for enhanced energy savings and control.
- **Flexible mounting options**  
Compatible with optional mounting arms: Type A, Type C, and Type T for versatile installation.

### Mounting Bracket

<b>Type A</b> Slip Fitter		<b>Type B</b> Square/Round Pole Mount w/ SF	
<b>Type C</b> Square/Round Pole Mount		<b>Type T</b> Trunnion	

### Specifications

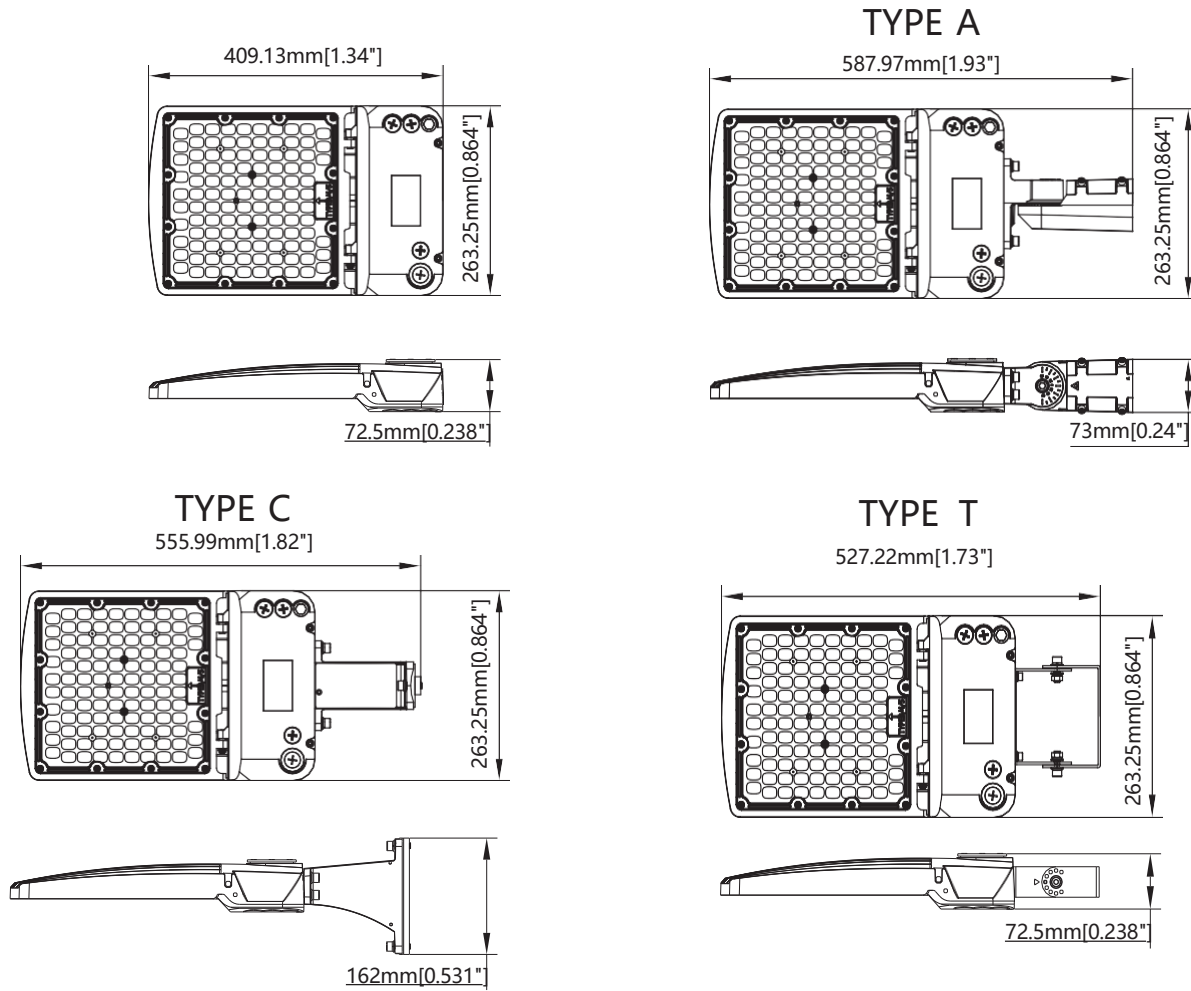
Model	AL03-150W-CCT	AL03-200W-CCT	AL03-300W-CCT
Wattage	70W/100W/150W	100W/150W/200W	200W/240W/300W
Input Voltage	AC120-277V		
Lumen Output (Max)	20352 lm	30312 lm	50341 lm
CCT	3000K-4000K-5000K Selectable		
CRI	Ra > 70		
Lighting Angle	Type III –Type IV–Type V Switchable		
Housing Finish	Dark Bronze		
Mounting Height	25-40 ft	26-43 ft	≥40ft
Features	<b>PC:</b> Photocell Control (Pre-installed)/ <b>MS:</b> PIR Motion Sensor (Optional)		
Environment Rating	Wet Locations (IP65)		
Oper. Temperature	-40°F ~ +113°F / -40°C ~ +45°C		
Storage Temperature	-40°F ~ +158°F / -40°C ~ +70°C		
Life Span	Lumen Maintenance >70% @ 50,000+ Hours (5-year limited warranty)		
Certifications	UL, DLC		
Package Dimensions (in)	17.83 × 12.09 × 4.41	22.52 × 15.04 × 4.61	22.52 × 15.04 × 4.61
N.W./ Box (lb)	6.61	9.52	10.36
PC/Box	1		

Note: Performance may be affected by environmental conditions and specific applications. Specifications are subject to change without prior notice.

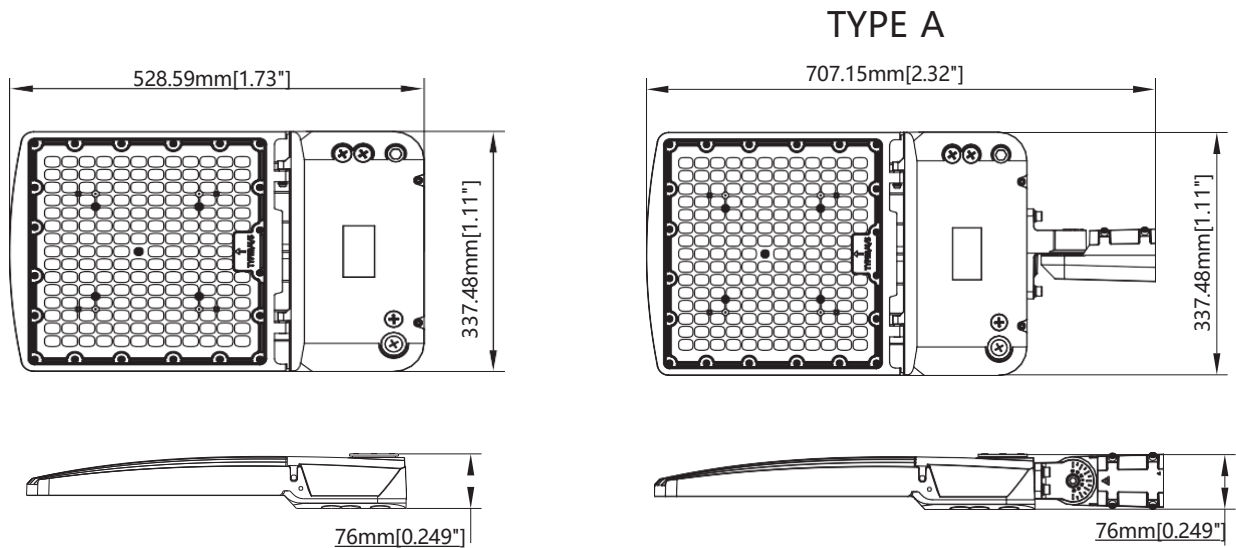
## LED SHOEBOX/ AREA LIGHT - AL03 Series

### Dimensions

#### AL03-150W-WCCT

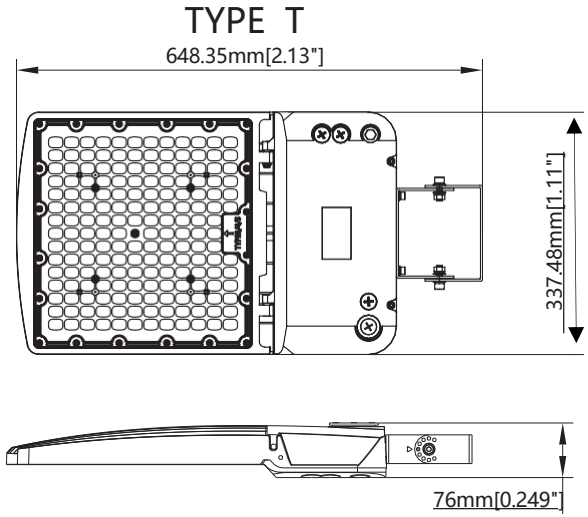
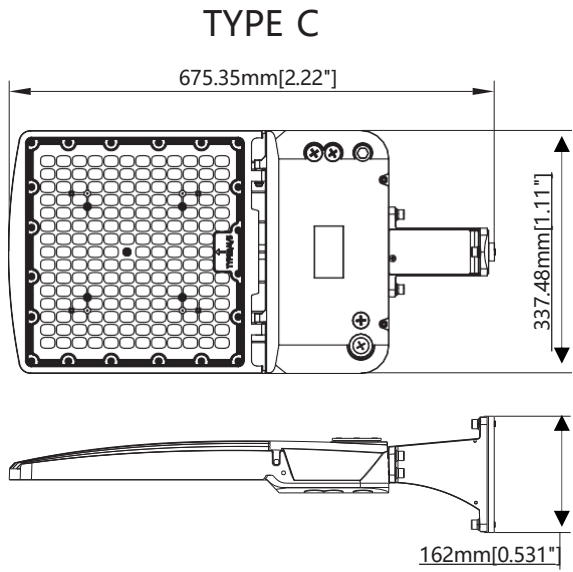


#### AL03-200W-CCT / AL03-300W-CCT



## LED SHOEBOX/ AREA LIGHT – AL03 Series

### Dimensions



### Effective Projected Area (EPA) in ft<sup>2</sup>

		EPA(ft <sup>2</sup> )					
EPA Calcs (1.2*ft <sup>2</sup> ) / View		Single	2@90	2@180	3@90	3@120	4@90
Mounting Type	Fixture Position (Wattage)						
	Horizontal (150W)	0.462	0.809	0.989	1.284	1.515	1.284
	Horizontal (200/300W)	0.578	0.861	1.156	1.439	1.618	1.387
	Horizontal (150W)	0.970	1.698	2.076	2.697	3.182	2.697
	Horizontal (200/300W)	1.178	1.755	2.356	2.933	3.298	2.827
	Horizontal (150W)	0.411	0.719	0.880	1.143	1.348	1.143
	Horizontal (200/300W)	0.530	0.790	1.060	1.320	1.484	1.272
	Horizontal (150W)	1.043	1.825	2.232	2.900	3.421	2.900
	Horizontal (200/300W)	1.254	1.868	2.508	3.122	3.511	3.010

Conditions: Horizontal winds only for calculations, Worst case total projected area used for calculations, All drag coefficients are set as worst case (Theoretical reference data)