

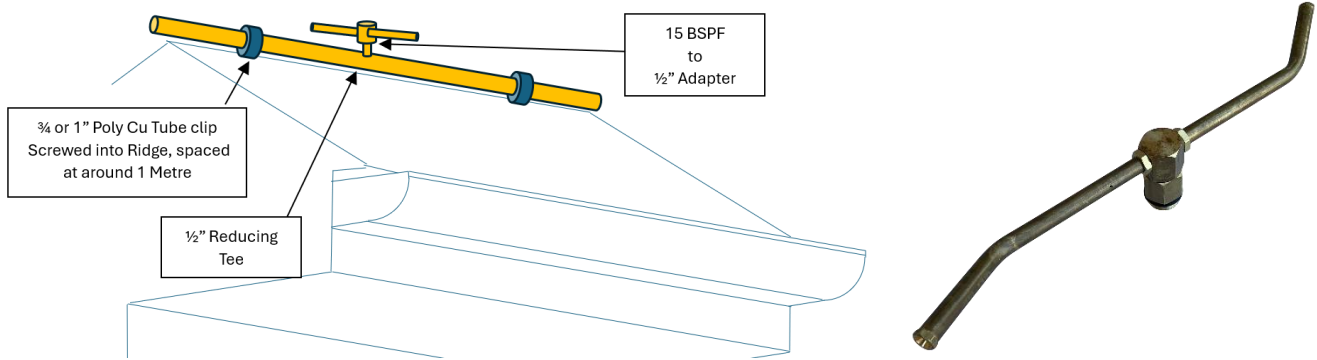
Drencher Sprinkler Head Information

The Drencher Sprinkler Head has a ½” BSP Male thread and is designed for 150Kpa water systems. We recommend installing an inline suction filter and a pressure regulating valve in your water supply pipework.

Ridge line installs are recommended for whole of roof drenching, arms set to flat to reduce wind effect. Roof perimeter we recommend setting at 45° to use the wind to blow the water back onto the house, arms set at 15°.

The head can be mounted at any angle and continue to operate as designed. This type of sprinkler head has been the mainstay of external spray systems for over twenty years and is use by many Australian installers. Our head is 100% Australian made and can be fully disassembled for maintenance.

Drencher Head Specifications			
Recommended Pressure	Litres Per Minute	Diameter Coverage	Recommended Spacing
150 KPA	4	15M	6M
Tube Sizing Recommendations			
No. of Heads on Tube Diameter			
Branch	≤10 on 20NB	≤20 on 25NB	
Ring Main	≤20 on 20NB	≤40 on 25NB	



Installation Guidelines

Ring main is best for uniform rotating speed. Heads are installed of 6M apart at 45° to the exterior wall. Ensure fall to drain system at end of the fire season.

