

OWNER'S MANUAL

PREMIUM



CMSP-771RGB-SWG

Two Premium 7.7 in / 196 mm Marine Coaxial Loudspeakers
with White & Gunmetal Sport Grilles and built-in RGB LED

Deux haut-parleurs coaxiaux marins haut de gamme
de 7,7 pouces / 196 mm avec grilles de sport en
métal blanc et bronze et LED RVB intégrée

Dos altavoces coaxiales marinos premium de 7,7
pulgadas / 196 mm con rejillas deportivas blancas
y de metal armado y LED RGB incorporado

Zwei hochwertige 7,7 Zoll / 196 mm Marine-
Koaxiallautsprecher mit Sportgittern aus weißem und
bronzefarbenem Metall und integrierter RGB-LED

Due altoparlanti coassiali marini di alta qualità da
7,7 pollici / 196 mm con griglie sportive in metallo
bianco e bronzo e LED RGB integrato

clarion[®]


MARINE AUDIO

Thank you for purchasing a Clarion Marine Coaxial Speaker System. With proper installation, your new speakers will deliver years of listening pleasure.

We strongly recommend that you have your new marine speakers installed by your authorized dealer. The installation professionals employed by your dealer have the necessary tools and experience to properly install your new speakers. If you prefer to perform your own installation, please read this instruction manual completely before beginning the process.

Merci d'avoir acheté un système d'enceintes coaxiales marines Clarion. Avec une installation appropriée, vos nouveaux haut-parleurs offriront des années de plaisir d'écoute.

Nous vous recommandons fortement de faire installer vos nouvelles enceintes marines par votre revendeur agréé. Les professionnels de l'installation employés par votre revendeur ont les outils et l'expérience nécessaires pour installer correctement vos nouvelles enceintes. Si vous préférez effectuer votre propre installation, veuillez lire entièrement ce manuel d'instructions avant de commencer le processus.

Gracias por comprar el sistema de altavoces coaxiales Clarion Marine. Con una instalación adecuada, sus nuevos altavoces le brindarán años de placer auditivo.

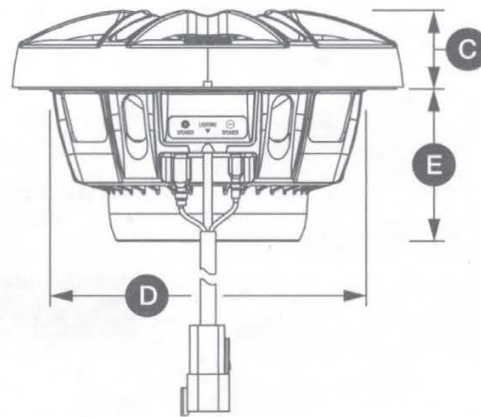
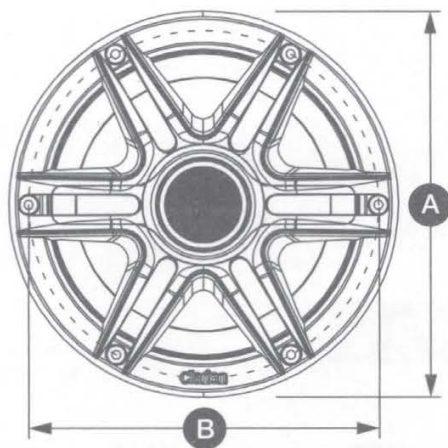
Recomendamos encarecidamente que su distribuidor autorizado instale sus nuevos altavoces marinos. Los profesionales de instalación empleados por su distribuidor tienen las herramientas y la experiencia necesarias para instalar correctamente sus nuevos altavoces. Si prefiere instalarlo por su cuenta, lea detenidamente este manual de instrucciones antes de comenzar el proceso.

Vielen Dank, dass Sie sich für ein Clarion Marine Coaxial Speaker System entschieden haben. Bei ordnungsgemäßer Installation sorgen Ihre neuen Lautsprecher für jahrelanges Hörvergnügen.

Wir empfehlen dringend, dass Sie Ihre neuen Schiffslautsprecher von Ihrem autorisierten Händler installieren lassen. Die von Ihrem Händler beschäftigten Installationsfachleute verfügen über die erforderlichen Werkzeuge und Erfahrungen, um Ihre neuen Lautsprecher ordnungsgemäß zu installieren. Wenn Sie es vorziehen, Ihre eigene Installation durchzuführen, lesen Sie diese Bedienungsanleitung vollständig durch, bevor Sie mit dem Vorgang beginnen.

Grazie per aver acquistato un sistema di altoparlanti coassiali Clarion Marine. Con una corretta installazione, i nuovi altoparlanti offriranno anni di piacevole ascolto.

Raccomandiamo vivamente di avere i tuoi nuovi altoparlanti marini installati dal tuo rivenditore autorizzato. I professionisti dell'installazione impiegati dal tuo rivenditore hanno gli strumenti e l'esperienza necessari per installare correttamente i tuoi nuovi altoparlanti. Se si preferisce eseguire la propria installazione, leggere completamente questo manuale di istruzioni prima di iniziare il processo.



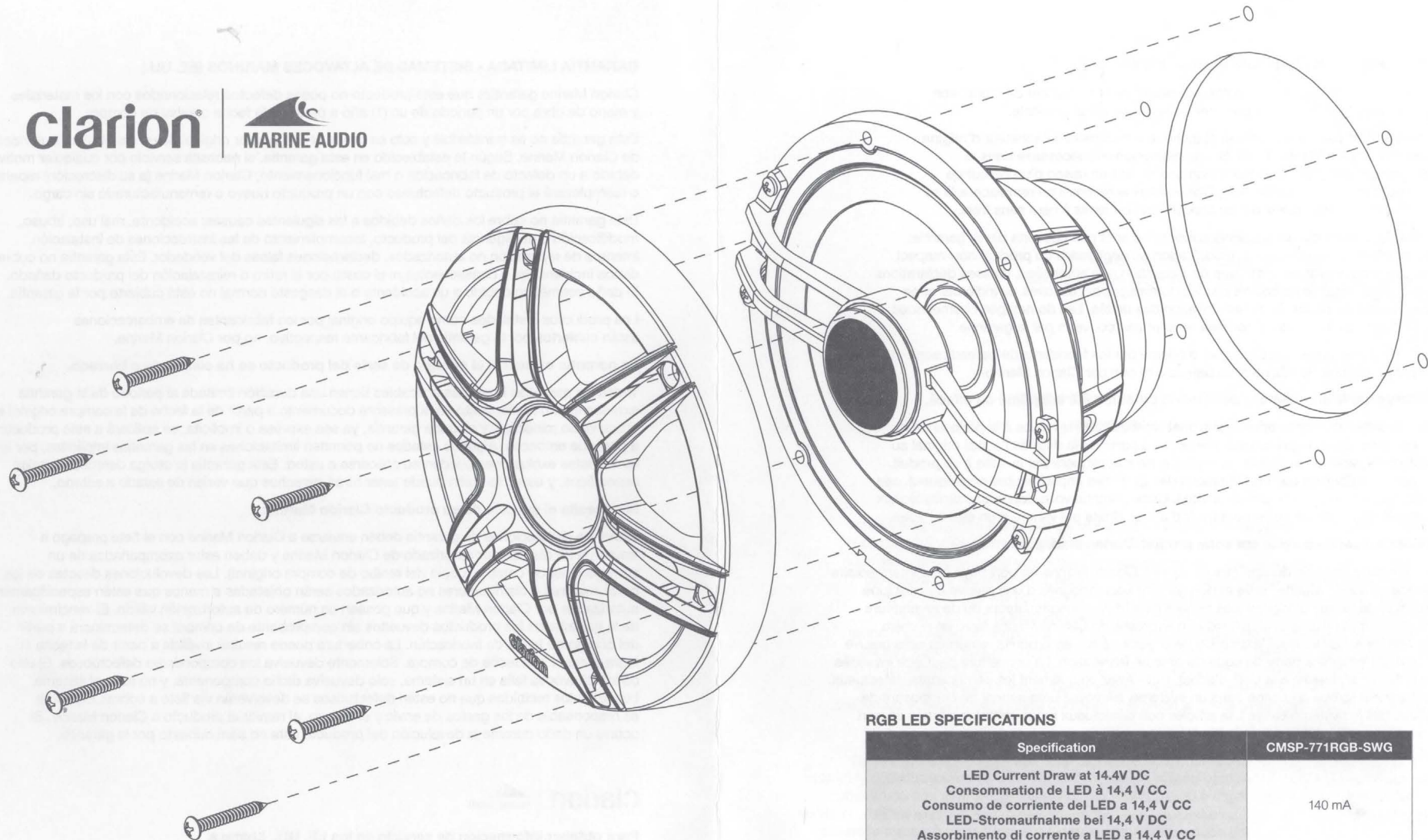
Physical Specifications	CMSP-771RGB-SWG
Nominal Diameter	7.70 in. / 196 mm
Outer Diameter (A)	7.70 in. / 196 mm
Bolt Hole Circle (B)	6.92 in. / 176 mm
Frontal Grille Protrusion* (C)	1.53 in. / 39 mm
Mounting Hole Diameter (D)	6.25 in. / 159 mm
Mounting Depth (E)	3.07 in. / 78 mm

* Frontal grille protrusion measured from mounting surface

Specifications Caractéristiques Especificaciones Spezifikationen Specificazione	CMSP-771RGB-SWG
Mounting Application Application de montage Aplicación de montaje Montageanwendung Applicazione di montaggio	Infinite Baffle
Continuous Power Handling (RMS Method) Gestion continue de l'alimentation (méthode RMS) Manejo de potencia continua (método RMS) Kontinuierliches Power Handling (RMS-Methode) Gestione dell'alimentazione continua (metodo RMS)	60 Watts / channel
Recommended Amplifier Power Puissance d'amplificateur recommandée Potencia recomendada del amplificador Empfohlene Verstärkerleistung Potenza consigliata dell'amplificatore	40 - 120 Watts / channel
Frequency Response Fréquence de réponse Respuesta a la frecuencia Frequenzgang Risposta in frequenza	45 Hz - 20 KHz (± 3 dB)
Efficiency @ 1W/1m Efficacité @ 1W/1m Eficiencia @ 1W/1m Wirkungsgrad bei 1W/1m Efficienza @ 1W / 1m	88 dB
Nominal Impedance Impédance nominale Impedancia nominal Nennimpedanz Impedenza nominale	4 ohms

Due to ongoing product development, all specifications are subject to change without notice.

Clarion®



WIRE HARNESS CONNECTIONS

Speaker Wire Color	Wire Size	Connection
Red	18 AWG	Speaker Positive (+)
Black		Speaker Negative (-)
RGB LED Wire Color	Wire Size	Connection
Red	26 AWG	Red LED Negative (-)
Green		Green LED Negative (-)
Blue		Blue LED Negative (-)
Yellow		Main LED Positive (+12V)

FIXED 7-COLOR LED WIRING

LED Color Output	LED Wire Color(s)	Connection
Red	Red	Connect wire(s) to negative (-) battery post or negative ground.
Green	Green	
Blue	Blue	
Yellow	Red + Green	
Pink	Red + Blue	
Light Blue	Green + Blue	
White	Red + Green + Blue	

Connect all Yellow (+12V) LED wires to a switched +12V supply.

RGB LED SPECIFICATIONS

Specification	GMSP-771RGB-SWG
LED Current Draw at 14.4V DC Consommation de LED à 14,4 V CC Consumo de corriente del LED a 14,4 V CC LED-Stromaufnahme bei 14,4 V DC Assorbimento di corrente a LED a 14,4 V CC	140 mA
Recommended Fuse Value* Valeur de fusible recommandée* Valor de fusible recomendado* Empfohlener Sicherungswert* Valore del fusibile raccomandato*	250 mA
LED Voltage Range Chaîne de tension LED Rango de voltaje LED LED-Spannungsbereich Gamma di tensione LED	10 - 14.4V DC
<small>* For short-circuit protection, install a fuse (not included) at each speaker's Yellow (+12V) LED power connection lead. * Pour une protection contre les courts-circuits, installez un fusible (non inclus) sur le fil de connexion d'alimentation LED jaune (+ 12V) de chaque haut-parleur. * Para protección contra cortocircuitos, instale un fusible (no incluido) en el cable de conexión de alimentación de LED amarillo (+ 12V) de cada altavoz. * Installieren Sie zum Kurzschlusschutz eine Sicherung (nicht im Lieferumfang enthalten) am gelben (+ 12 V) LED-Stromanschlusskabel jedes Lautsprechers. * Per la protezione da cortocircuito, installare un fusibile (non incluso) sul cavo di collegamento dell'alimentazione LED giallo (+ 12V) di ciascun altoparlante.</small>	

WOOFER FEATURES

- UV protected Injection-molded polypropylene cone bodies with santoprene rubber surrounds, specifically formulated for marine duty
- Marine-grade, synthetic spider
- Meets salt-fog and UV exposure standards (ASTM B117/D4329)

TWEETER FEATURES

- High-efficiency design with neodymium motor system
- 1-inch (25 mm) silk dome diaphragm with specially formulated treatment to withstand UV and salt-spray exposure
- Ferrofluid-cooled and damped for improved response and power handling
- Permanent, basket-mounted design ensures optimal high-frequency performance with no loss of woofer radiating area

CROSSOVER FEATURES

- Natural woofer roll-off with 2nd order high-pass filter on tweeter
- Crossovers are integrated into woofer basket, requiring no additional mounting provision

BUILT-IN RGB LIGHTING

- Multi-color LEDs, embedded and concealed from direct sight, produce lively accent lighting

Included Components and Parts:

- Two Marine Coaxial Loudspeakers
- Two White Sport Speaker Grilles
- Two Gunmetal Sport Speaker Grilles
- Two 2nd Order High-Pass Filters (integrated within woofer baskets)
- Twelve M4 x 30 mm Stainless-Steel Mounting Screws
- Two Waterproof Connection Harnesses
- Mounting Template
- Owner's Manual

RGB LED Illumination:

LED functionality requires separate wiring at each speaker location. Choose from seven fixed LED colors or connect an RGB lighting controller (sold separately) for adjustable control.

BEFORE YOU BEGIN INSTALLING

- Check with your local waterway authority for any regulations regarding the use of accent/speaker lighting on your vessel.
- Turn off the audio system. It is also advisable to disconnect your battery system whenever performing installation work.
- Before cutting, drilling or inserting any screw, check clearances on both sides of the planned mounting surface. Also check for any potential obstacles, such as wiring harnesses, fuel lines, hydraulic lines, etc. Check both sides of the vessel before cutting any holes.
- If you are running cables through bulkheads, drill holes for the cable and use a urethane or plastic grommet to protect the wire from chafing in the hole. Make sure that the cables will clear any mechanical devices in the boat and secure them with wire ties.
- Wear protective eyewear at all times and a dust mask and gloves when drilling or cutting.

!! CAUTION

When installing speakers in your vessel, it is extremely important to secure them firmly. This applies not only to the speakers themselves, but also any structure they are mounted to. If not firmly attached, the speakers can become dangerous projectiles in a collision. Please review the mounting information carefully and use the supplied marine-grade hardware to mount this product.

!! WARNING

While these speakers are designed to be water and spray resistant, they are not designed to be submerged or to withstand high-pressure water spray. Do not install on submersibles, personal watercraft or any other vessel likely to be under water at any time. Please exercise care when washing your boat to avoid damaging your speaker. Avoid contact with harsh chemicals or cleaning agents to prevent damage to the speaker's finish that will not be covered under warranty. Wash with mild soap and rinse with freshwater only.

!! CAUTION

Prolonged exposure to sound pressure levels in excess of 100dB can cause permanent hearing loss. This high-performance speaker can exceed this level. Please exercise restraint in its operation in order to preserve your ability to enjoy its fidelity.

!! WARNING

It is absolutely vital that your coaxial speaker system is connected as shown in this manual. Failure to connect the system as shown will result in damage to your speakers which is NOT covered under warranty. Do not substitute different crossover networks.

LIMITED WARRANTY - MARINE SPEAKER SYSTEMS (USA)

Clarion Marine warrants this product to be free of defects in materials and workmanship for a period of one (1) year from the original date of purchase.

This warranty is not transferable and applies only to the original purchaser from an authorized Clarion Marine dealer. Should service be necessary under this warranty for any reason due to manufacturing defect or malfunction, Clarion Marine will (at its discretion), repair or replace the defective product with new or remanufactured product at no charge.

Damage caused by the following is not covered under warranty: accident, misuse, abuse, product modification or neglect, failure to follow installation instructions, unauthorized repair attempts, misrepresentations by the seller. This warranty does not cover incidental or consequential damages and does not cover the cost of removing or reinstalling the unit(s). Cosmetic damage due to accident or normal wear and tear is not covered under warranty.

Products installed as original equipment by boat manufacturers are covered by the boat manufacturer's warranty, not Clarion Marine.

Warranty is void if the product's serial number has been removed or defaced.

Any applicable implied warranties are limited in duration to the period of the express warranty as provided herein beginning with the date of the original purchase at retail, and no warranties, whether express or implied, shall apply to this product thereafter. Some states do not allow limitations on implied warranties, therefore these exclusions may not apply to you. This warranty gives you specific legal rights, and you may also have other rights which vary from state to state.

If you need service on your Clarion Marine product:

All warranty returns should be sent to Clarion Marine freight prepaid through an authorized Clarion Marine dealer and must be accompanied by proof of purchase (a copy of the original sales receipt.) Direct returns from consumers or non-authorized dealers will be refused unless specifically authorized by Clarion Marine with a valid return authorization number. Warranty expiration on products returned without proof of purchase will be determined from the manufacturing date code. Coverage may be invalidated as this date is previous to purchase date. Return only defective components. If one speaker fails in a system, return only that speaker component, not the entire system. Non-defective items received will be returned freight-collect. Customer is responsible for shipping charges and insurance in sending the product to Clarion Marine. Freight damage on returns is not covered under warranty.



For Service Information in the U.S.A. please call

Clarion Marine Customer Service: 1-800-GO-CLARION (1-800-462-5274)

9:00 AM – 5:30 PM (Eastern Time Zone)

Clarion Marine, a JL Audio Company

10369 North Commerce Pkwy.

Miramar, FL 33025

International Warranties:

Products purchased outside the United States of America are covered only by that country's distributor and not by Clarion Marine