

SeaBlazeX2 LED Underwater Light

SeaBlazeX2 is available in dual-color or full-color Spectrum output, with a choice of a bronze or polish finish. The dual-color SeaBlazeX2 offers an internally synchronized white/blue cross fade mode, while the SeaBlazeX2 Spectrum delivers a nearly limitless palette of intense, vivid colors. Both versions deliver more than 6,000 integrating sphere-measured lumens, surface mount, no external drivers, and a pedigree of reliability recognized the world over. PLI enabled meaning it is compatible with our award winning Poco digital lighting control system for advanced control. The bar has once again been raised.

Specifications:

Lumens:	6137 (wht) 1012 (blu) 2526 (red) 2114 (Gn)
CCT:	6500K
CRI:	70+
Voltage:	10-30vDC
Rated Watts:	60
IP Rating	IP68
Housing	Bronze

Key Features:

- Full-color spectrum with color cycle mode.
- Completely water sealed and IP68 compliant.
- Easy Installation – Surface mount with small 1/2' through-hull hole and simple 3-wire hook up.
- No external controller boxes required (Poco compatible).
- Constructed of marine grade bronze and heat tempered glass.
- Over 2,000+ hour of rigorous ASTM-B117 Salt Spray Chamber testing.
- Proudly designed and manufactured in the USA.
- 3 Year warranty on all Lumitec products.

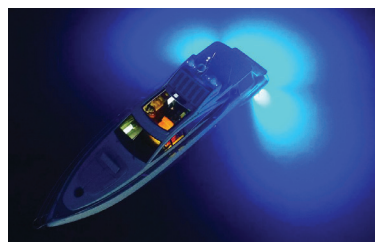
Product Details:

SKU	FINISH	COLOR OUTPUT	CRI*	CCT*	VOLTAGE	12VDC	24VDC	LUMENS†
101515	Bronze	Spectrum RGBW	70+	6500	10-30vDC	5A	2.5A	6000+ (White)
101591	Polished	Spectrum RGBW	70+	6500	10-30vDC	5A	2.5A	6000+ (White)

* Lumens, CRI & CCT applies only to white light.

† Integrating sphere measured lumens within 1 minute of initial startup

Features:



Certifications:





Beam Pattern:

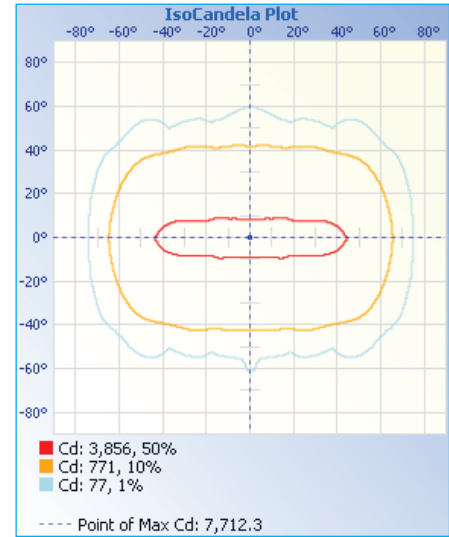
SeaBlazeX2 - LED Underwater Light

SeaBlazeX2 - Flood Pattern (Spectrum)

	Illuminance at a Distance	
	Center Beam fc	Beam Width
4.3ft	417 fc	1.3 ft 8.3 ft
8.7ft	102 fc	2.7 ft 16.9 ft
13.0ft	45.6 fc	4.0 ft 25.2 ft
17.3ft	25.8 fc	5.3 ft 33.5 ft
21.7ft	16.4 fc	6.6 ft 42.1 ft
26.0ft	11.4 fc	7.9 ft 50.4 ft

■ Vert. Spread: 17.4°
■ Horiz. Spread: 88.2°

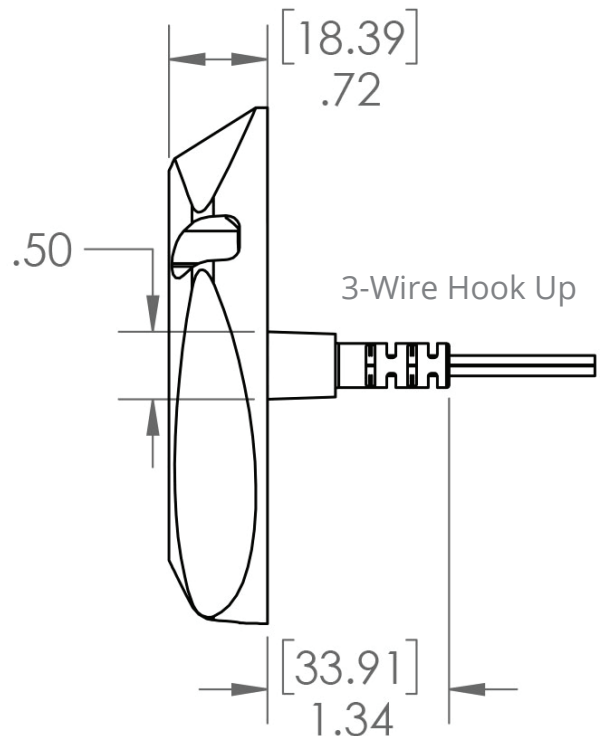
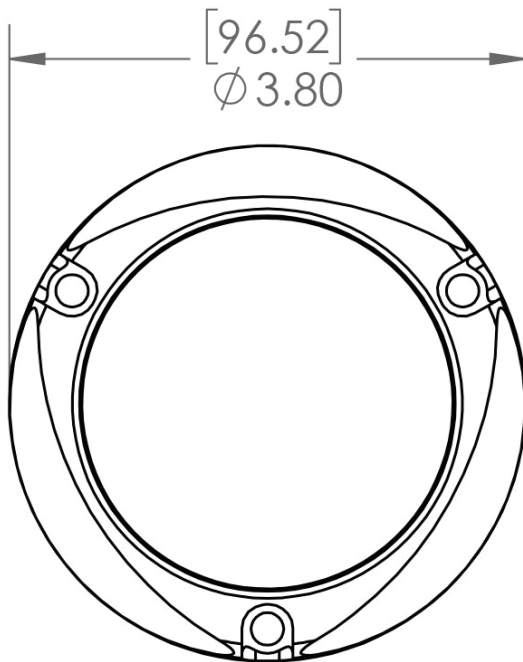
Illuminance at distance



Iso Candela Plot

Dimensions:

- Diameter: 3.80in (9.65cm)
- Depth: 0.72in (1.83cm)
- Mounting Hole: 0.5 in (1.25cm)





SeaBlazeX2 (Dual-Color) LED Underwater Light

SeaBlazeX2 is available in dual-color or full-color Spectrum output, with a choice of a bronze or polish finish. The dual-color SeaBlazeX2 offers an internally synchronized white/blue cross fade mode, while the SeaBlazeX2 Spectrum delivers a nearly limitless palette of intense, vivid colors. Both versions deliver more than 6,000 integrating sphere-measured lumens, surface mount, no external drivers, and a pedigree of reliability recognized the world over. PLI enabled meaning it is compatible with our award winning Poco digital lighting control system for advanced control. The bar has once again been raised.

Specifications:

Lumens:	6000+ (white)
CCT:	6500K
CRI:	70+
Voltage:	10-30vDC
Rated Watts:	60
IP Rating	IP68
Housing	Bronze

Key Features:

- Dual-color white/blue with cross fade mode.
- Completely water sealed and IP68 compliant.
- Easy Installation – Surface mount with small 1/2' through-hull hole and simple 3-wire hook up.
- No external controller boxes required (Poco compatible).
- Constructed of marine grade bronze and heat tempered glass.
- Over 2,000+ hour of rigorous ASTM-B117 Salt Spray Chamber testing.
- Proudly designed and manufactured in the USA.
- 3 Year warranty on all Lumitec products.

Product Details:

SKU	FINISH	COLOR OUTPUT	CRI*	CCT*	VOLTAGE	12VDC	24VDC	LUMENS†
101516	Bronze	White/Blue	70+	6500	10-30vDC	5A	2.5A	6000+ (wht)
101592	Polished	White/Blue	70+	6500	10-30vDC	5A	2.5A	6000+ (wht)

* Lumens, CRI & CCT applies only to white light.

† Integrating sphere measured lumens within 1 minute of initial startup

Features:



Lumen Output



Timed Toggle Protocol



Power Line Instruction



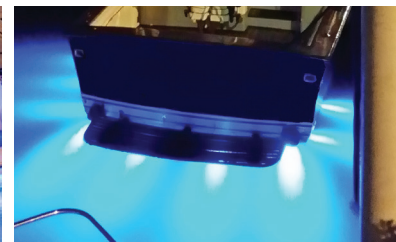
Cross Fade



Dry Operation



3 Year Warranty



Certifications:



IP Rated



European Conformity



Beam Pattern:

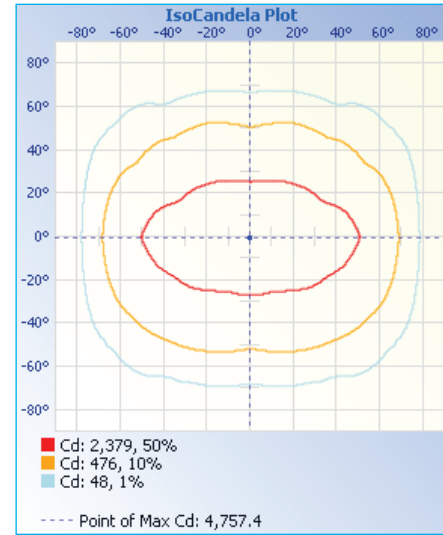
SeaBlazeX2 - LED Underwater Light

SeaBlazeX2 - Flood Pattern (Dual-Color)

Illuminance at a Distance			
	Center Beam fc	Beam Width	
4.3ft	256 fc	4.2 ft	10.4 ft
8.7ft	62.6 fc	8.5 ft	21.0 ft
13.0ft	28.0 fc	12.7 ft	31.4 ft
17.3ft	15.8 fc	16.9 ft	41.7 ft
21.7ft	10.1 fc	21.2 ft	52.3 ft
26.0ft	7.01 fc	25.5 ft	62.7 ft

■ Vert. Spread: 52.2°
■ Horiz. Spread: 100.7°

Illuminance at distance



Iso Candela Plot

Dimensions:

- Diameter: 3.80in (9.65cm)
- Depth: 0.72in (1.83cm)
- Mounting Hole: 0.5 in (1.25cm)

