



Specifications:

Lumens:	20,000+
CCT:	5000K
CRI:	70+
Voltage:	10-30vDC / 110-240vAC
IP Rating	IP67
Housing	Die-cast Aluminum
Coating	Powder Coated

Maxillume tr150 is available in DC and AC power options.

Maxillume tr150 LED Flood Light

Rugged, reliable, with 20,000 TRUE lumens[†] - the Maxillume tr150 will change the way you work at night. Your crew will be safer, faster, more effective, and more productive. Completely sealed to IP67 standards. Tested to military specifications for shock and vibration. The newest member of Lumitec's Maxillume family is the new standard for 200W LED spot/flood lighting.

Key Features:

- Over 20,000+ lumens of darkness piercing output.
- Available with three beam patterns (spot, flood or spot/flood combo).
- Completely water sealed and IP67 compliant.
- Easy Installation – platform, vehicle or boat mountable.
- Available with three mounting options (trunnion, surface or semi-recessed).
- Constructed of marine grade powder coated cast aluminum and heat tempered glass.
- Designed for salt water environments with over 2,000+ hour of rigorous ASTM-B-117 Salt Spray Chamber testing.
- Proudly designed and manufactured in the USA.
- 3 Year warranty on all Lumitec products.

Product Details:

SKU	MOUNT	BEAM	VOLTAGE	12VDC	24VDC	LUMENS [†]
101413	Trunnion	Flood	10-36vDC	17.5A	8.75A	20,000
101414	Recessed	Flood	10-36vDC	17.5A	8.75A	20,000
101415	Surface	Flood	10-36vDC	17.5A	8.75A	20,000
101416	Trunnion	Spot	10-36vDC	17.5A	8.75A	20,000

SKU	MOUNT	BEAM	VOLTAGE	110VAC	240VAC	LUMENS [†]
101357	Trunnion	Flood	110-240vAC	2A	0.95A	20,000
101360	Trunnion	Spot	110-240vAC	2A	0.95A	20,000

Also available with spot/flood combo options, contact sales support for information.
[†] Integrating sphere measured lumens within 1 minute of initial startup



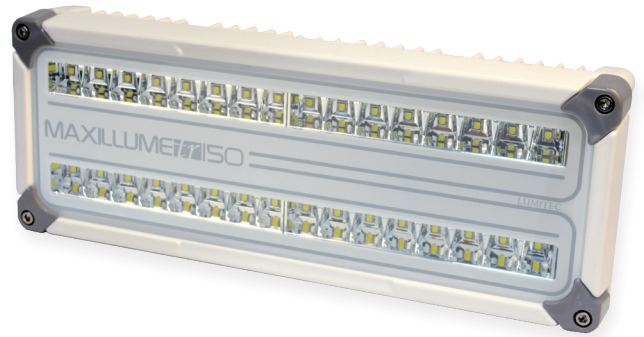
Specifications:

Lumens:	20,000+
CCT:	5000K
CRI:	70+
Beam Pattern:	Flood/Spot/Flood Spot Combo

Voltage DC:	10-36vDC / 110-240vAC
12vDC:	17.5A
24vDC:	8.75A

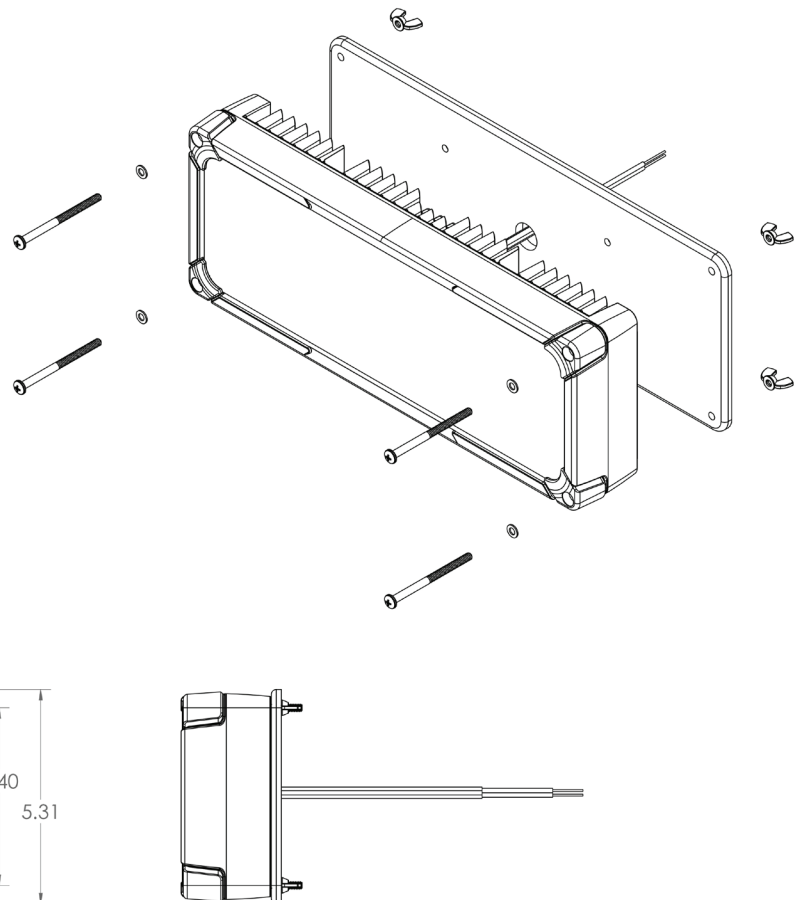
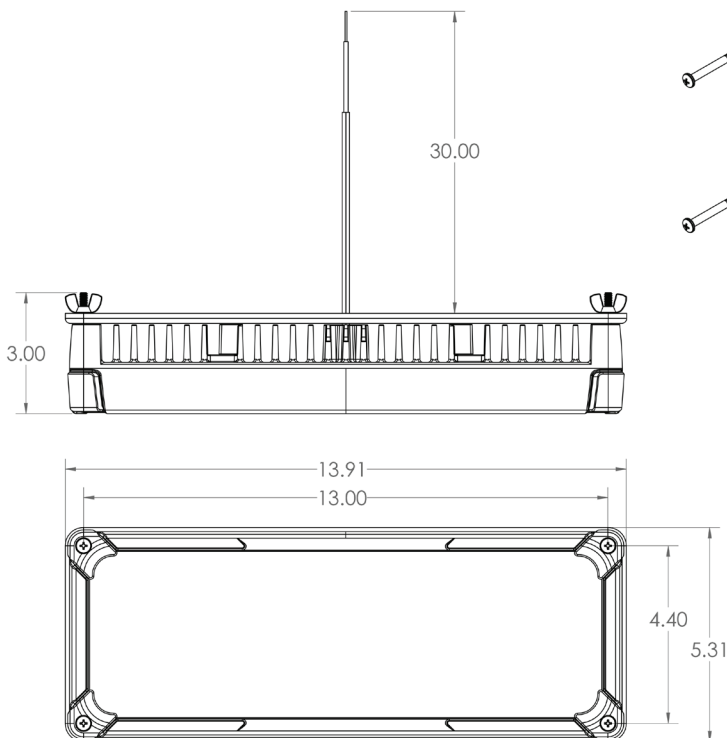
Voltage AC:	110-240vAC
110vAC:	2A
240vAC:	0.95A

Maxillume tr150 LED Light - Surface Mount



Dimensions:

- Width: 13.7in (34.79cm)
- Height: 5.1in (12.95cm)
- Depth: 2.36in (5.99cm)
- Weight: 12lb (5.44kg)





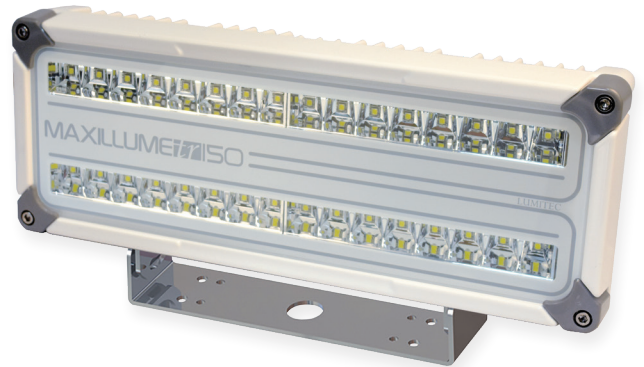
Specifications:

Lumens:	20,000+
CCT:	5000K
CRI:	70+
Beam Pattern:	Flood/Spot/Flood Spot Combo

Voltage DC:	10-36vDC / 110-240vAC
12vDC:	17.5A
24vDC:	8.75A

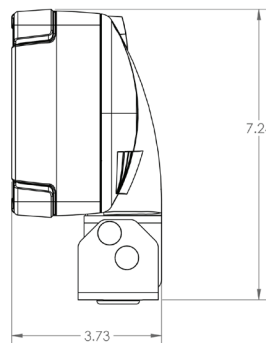
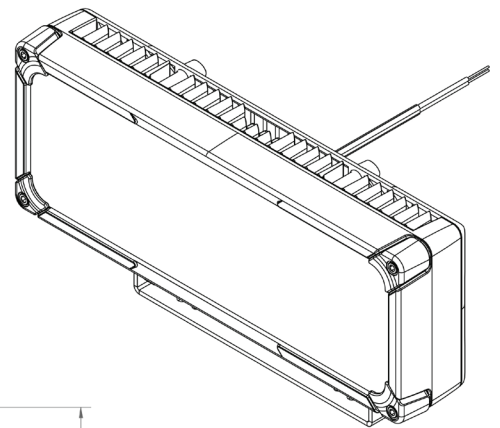
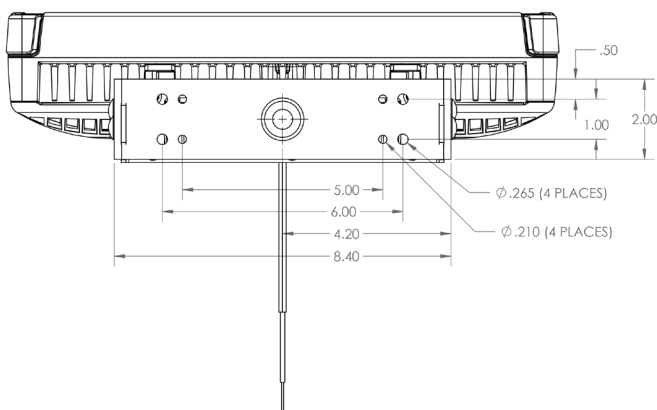
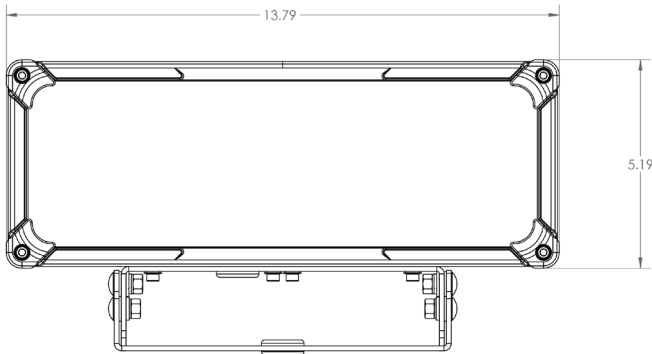
Voltage AC:	110-240vAC
110vAC:	2A
240vAC:	0.95A

Maxillume tr150 LED Light - Trunion Mount



Dimensions:

- Width: 13.7in (34.79cm)
- Height: 7.8in (19.81cm)
- Depth: 3.76in (9.55cm)
- Weight: 12lb (5.44kg)





Specifications:

Lumens:	20,000+
CCT:	5000K
CRI:	70+
Beam Pattern:	Flood/Spot/Flood Spot Combo

Voltage DC:	10-36vDC / 110-240vAC
12vDC:	17.5A
24vDC:	8.75A

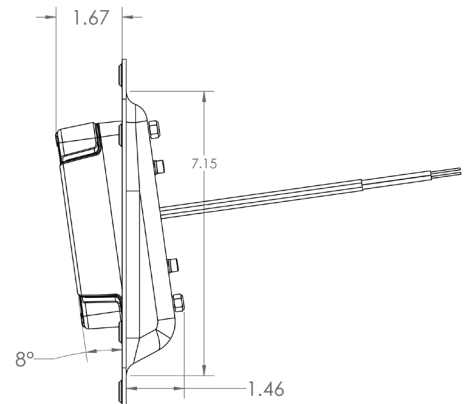
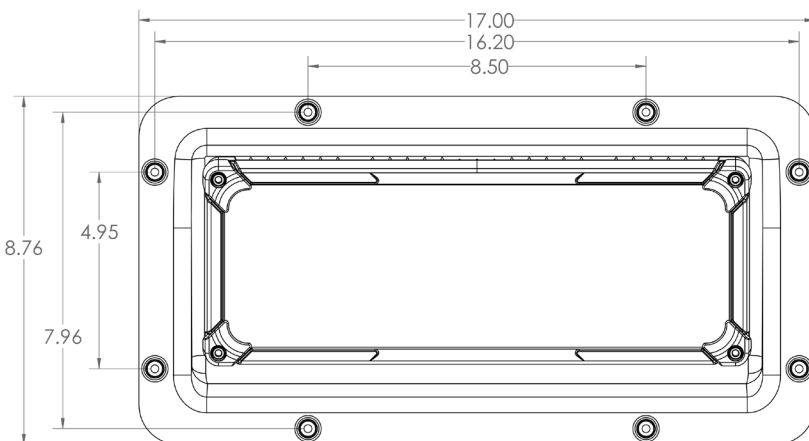
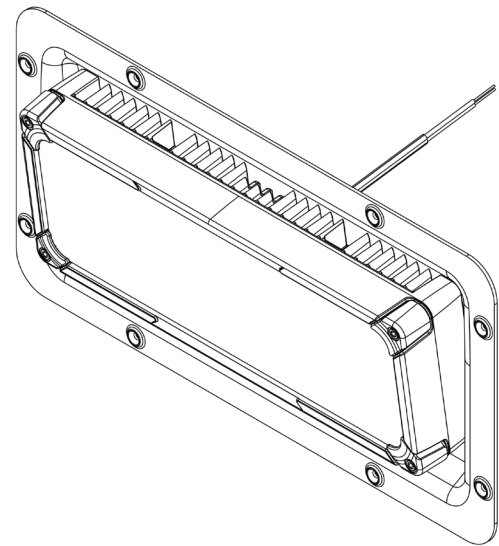
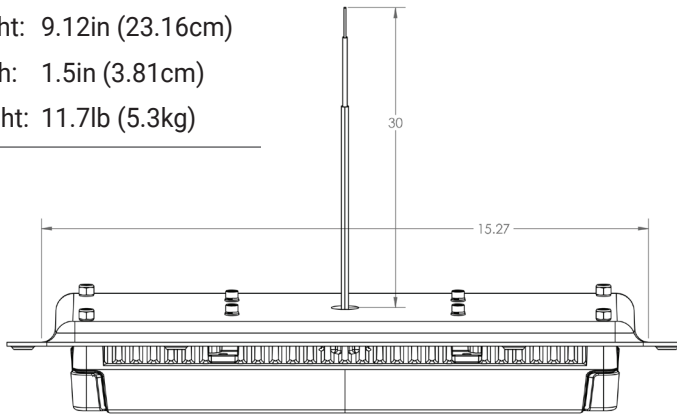
Voltage AC:	110-240vAC
110vAC:	2A
240vAC:	0.95A

Maxillume tr150 LED Light - Trunnion Mount



Dimensions:

- Width: 17.25in (43.81cm)
- Height: 9.12in (23.16cm)
- Depth: 1.5in (3.81cm)
- Weight: 11.7lb (5.3kg)





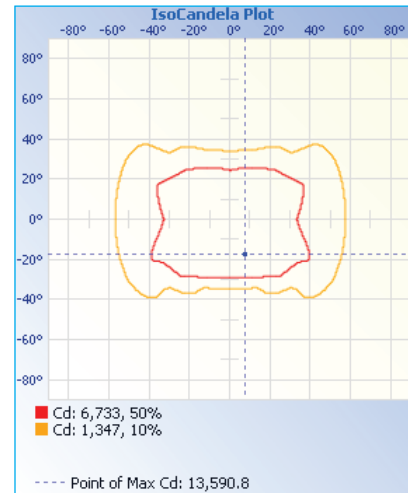
Beam Patterns

Maxillume tr150- Flood Pattern

	Illuminance at a Distance		
	Center Beam fc	Beam Width	
16.7R	44.5 fc	17.4 ft	27.4 ft
33.3R	11.2 fc	34.6 ft	54.6 ft
50.0R	4.97 fc	52.0 ft	82.0 ft
66.7R	2.79 fc	69.3 ft	109.4 ft
83.3R	1.79 fc	86.6 ft	136.6 ft
100.0R	1.24 fc	103.9 ft	164.0 ft

■ Vert. Spread: 54.9°
■ Horiz. Spread: 78.7°

Illuminance at distance



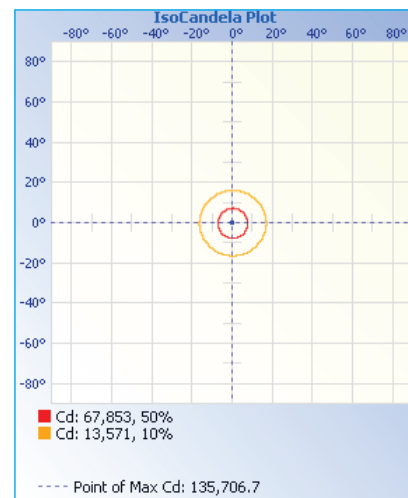
Iso Candela Plot

Maxillume tr150- Spot Pattern

	Illuminance at a Distance		
	Center Beam fc	Beam Width	
16.7R	487 fc	4.4 ft	4.3 ft
33.3R	122 fc	8.8 ft	8.6 ft
50.0R	54.3 fc	13.3 ft	12.9 ft
66.7R	30.5 fc	17.7 ft	17.2 ft
83.3R	19.6 fc	22.1 ft	21.5 ft
100.0R	13.6 fc	26.6 ft	25.8 ft

■ Vert. Spread: 15.1°
■ Horiz. Spread: 14.7°

Illuminance at distance



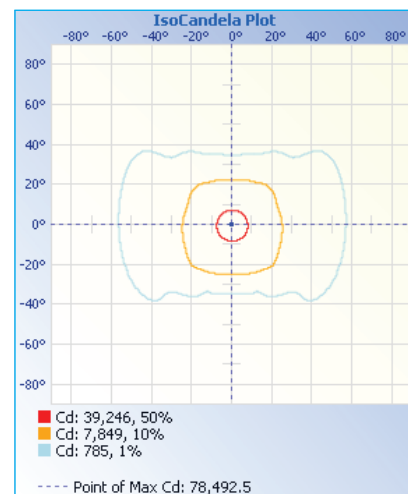
Iso Candela Plot

Maxillume tr150- Flood /Spot Combo Pattern

	Illuminance at a Distance		
	Center Beam fc	Beam Width	
16.7R	281 fc	4.6 ft	4.6 ft
33.3R	70.8 fc	9.1 ft	9.2 ft
50.0R	31.4 fc	13.7 ft	13.8 ft
66.7R	17.6 fc	18.2 ft	18.4 ft
83.3R	11.3 fc	22.8 ft	23.0 ft
100.0R	7.85 fc	27.3 ft	27.6 ft

■ Vert. Spread: 15.6°
■ Horiz. Spread: 15.7°

Illuminance at distance



Iso Candela Plot