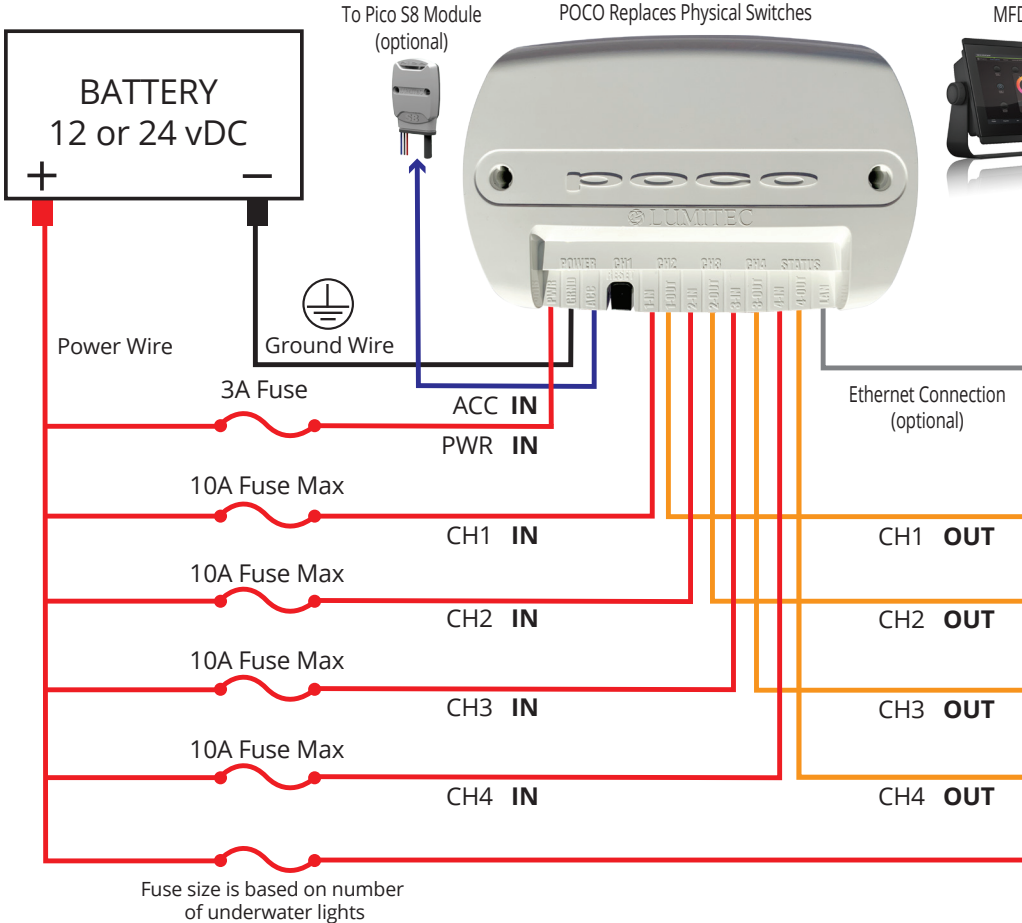


# 1

STEP 1:

## Plan and Install Your Digital Lighting System

<http://lumiteclighting.com/poco-quick-start>



Fuse size is based on number of underwater lights

- Aft Hardtop Lights
- Fwd Spreader Lights
- Aft Spreader Lights
- Under Gunwale Lights
- Fwd Hardtop Lights
- Underwater Lights

Go to Quick Start Webpage



### CALCULATE YOUR AMP DRAW

Total amps per channel must be below 10 Amps

Amp Draw at Lights	Total Amps Per/CH
	= 3.5 Amps
	= 3.5 Amps
	= 5 Amps
	= 0 Amps

Amp draw information is available on product packaging or at [lumiteclighting.com](http://lumiteclighting.com)



**IMPORTANT:** To use the supplied information provided within this quick start guide all lights installed must be PLI compatible. For lights that are non-PLI, or a non Lumitec brand, refer to our website at <http://lumiteclighting.com/check4pli> for additional installation information.

Look for the PLI icon on packaging for product compatibility

Power Line Instruction



LUMITEC™  
A Clarience Technologies Company

**poco**  
DIGITAL LIGHTING CONTROL

## QUICK START GUIDE

v-2

## 2 Connect to Poco (Step 1: installation on reverse side)

- A. Poco can be connected to a chart plotter (MFD) and/or a mobile device.
- B. For an MFD connect the network cable to a compatible display. For a list of compatible displays visit:  
**<http://lumiteclighting.com/poco-quick-start>**
- C. For mobile devices connect using the Lumitec Poco App available on Apple or Google Play stores. You will be prompted to connect to Poco on launching the app.

### Helpful Details:

- Poco default SSID number on back of device.
- Default Poco configuration access pass code: **0000**
- Default Wi-Fi and Bluetooth password on back of device
- Wi-Fi web access to user interface: 192.168.4.1

## 3 Create Light Groups

Select configuration in the setting menu (top right of screen). Assign Channel and Clan for each light location on your boat (underwater lights, spreaders lights etc.).

### Examples:

**Name:** LG\_aft\_hardtop  
**Channel:** 1  
**Clan:** 1 - Down Lights  
**Output:** Lumitec Spectrum

**Name:** LG\_fwd\_hardtop  
**Channel:** 2  
**Clan:** 1 - Down Lights  
**Output:** Lumitec Spectrum

**Name:** LG\_aft\_spreader  
**Channel:** 1  
**Clan:** 2 - Flood Lights  
**Output:** Blue / White

**Name:** LG\_underwater  
**Channel:** 3  
**Clan:** 4 - Flood Lights  
**Output:** Lumitec Spectrum

## 4 Create Switches (configuration menu)

Assign a default intensity and color to each switch.

### Example Simple Switch:

**Name:** Aft Hardtop  
**Target:** LG\_aft\_hardtop **Intensity:** 50% **Color:** Red

You can create lighting scenes by assigning multiple light groups to more than one target.

### Example Scene Switch:

**Name:** Night Fishing  
**1. Target:** LG\_aft\_hardtop, **Intensity:** 20%, **Color:** Red  
**2. Target:** LG\_fwd\_hardtop, **Intensity:** 20%, **Color:** Red  
**3. Target:** LG\_under\_gunwale, **Intensity:** 100%, **Color:** Green

## 5 Add Switches to Layout Pages

- A. Select a location for your switch.
- B. Select the plus (+) button symbol.
- C. Select desired switch from list.

**Note:** Visual order of switches will be arranged by the order of the switch creation. Switches cannot be rearranged after they have been added to a screen, only deleted.

Go to **<http://lumiteclighting.com/poco-quick-start>** for more detailed information.

## 6 Check Status Indicators

- POWER Indicator - Illuminates Green if POCO is powered on. PWR must have supply voltage between 10-30vDC.
- CH1, CH2, CH3 or CH4 Indicator -
  - Illuminates Red if power is supplied to channel from fuse/breaker panel.
  - Illuminates Green if power is supplied to channel input and channel is turned on inside of POCO controller; PLI enabled lights may be OFF.
  - Flashes Orange if PLI data is transmitted.
  - Illuminates Orange if channel is dimmed through a PWM signal.

### STATUS Indicator -

- Green blinking light indicates WiFi connection status:
  - 0 blinks: WiFi disabled
  - 1 blink: WiFi enabled but not connected to any peers
  - 2 blinks: WiFi is connected to one or more peers
- Blue blinking light indicates Bluetooth-LE connection status:
  - 0 blinks: Bluetooth-LE is disabled
  - 1 blink: Bluetooth-LE enabled but not connected
  - 2 blinks: Bluetooth-LE is connected