



## SeaBlaze Mini Spectrum LED Underwater Light

Lumitec packs all of the features and dazzling output colors of the class-leading SeaBlazeX Spectrum into a powerful little package. SeaBlaze Mini Spectrum has full-color RGBW Spectrum output for nearly infinite color selection, requires no external drivers and is surface mountable with all the reliability and ease of installation the SeaBlaze family has become known for. SeaBlaze Mini Spectrum is the perfect full-color output solution for smaller trailer boats and skiffs.

### Specifications:

Lumens:	670
CCT:	6500K
CRI:	70+
Voltage:	10-30vDC
Rated Watts:	10.5
IP Rating	IP68
Housing	Anodized Aluminum

### Key Features:

- Full-color RGBW Spectrum output with infinite color selection options and color cycle mode.
- Completely water sealed and IP68 compliant.
- Easy Installation – Surface mount with small 1/2' through-hull hole and simple 2-wire hook up.
- No external controller boxes required.
- Constructed of marine grade anodized aluminum and heat tempered glass.
- Over 2,000+ hour of rigorous ASTM-B-117 Salt Spray Chamber testing.
- Proudly designed and manufactured in the USA.
- 3 Year warranty on all Lumitec products.

### Product Details:

SKU	COLOR OUTPUT	CRI*	CCT*	VOLTAGE	12VDC	24VDC	LUMENS†
101436	Spectrum RGBW	70+	6500	10-30vDC	880mA	450mA	670

\* Lumens, CRI & CCT applies only to white light.

† Integrating sphere measured lumens within 1 minute of initial startup

#### Features:



RGBW Full-Color



Timed Toggle Protocol



Third Party Dimmer



2-Wire Hookup



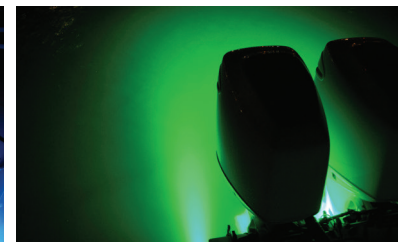
Color Cycle



Dry Operation



3 Year Warranty



#### Certifications:



IP Rated



European Conformity



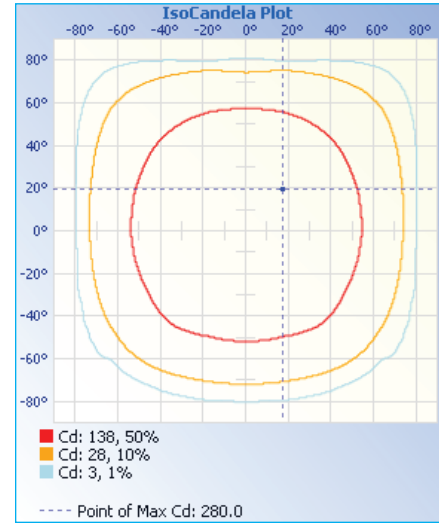
**Beam Pattern:** **SeaBlaze Mini Spectrum - LED Underwater Light**

**SeaBlaze Mini Spectrum - Flood Pattern**

Illuminance at a Distance			
	Center Beam fc	Beam Width	
4.3ft	13.3 fc	11.2 ft	11.1 ft
8.7ft	3.26 fc	22.8 ft	22.4 ft
13.0ft	1.46 fc	34.0 ft	33.5 ft
17.3ft	0.82 fc	45.2 ft	44.6 ft
21.7ft	0.52 fc	56.8 ft	55.9 ft
26.0ft	0.36 fc	68.0 ft	67.0 ft

■ Vert. Spread: 105.2°  
■ Horiz. Spread: 104.4°

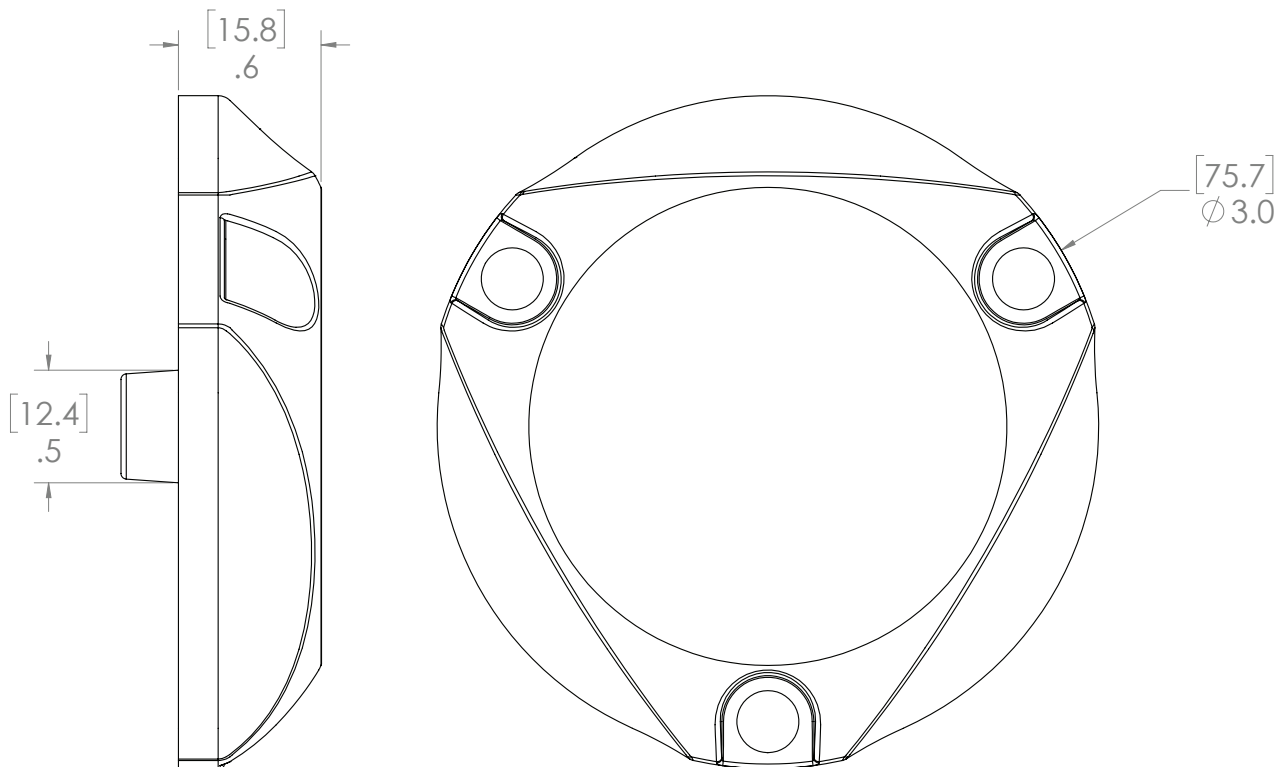
Illuminance at distance



Iso Candela Plot

**Dimensions:**

- Diameter: 2.98in (7.57cm)
- Depth: 0.63in (1.6cm)
- Mounting Hole: 0.5 in (1.25cm)





Sold as a pair

### Specifications:

Lumens:	890
CCT:	6500K
CRI:	70+
Voltage:	10-30vDC
Rated Watts:	10.5
IP Rating	IP68
Housing	Anodized Aluminum

### Key Features:

- Available in single-color (White or Blue)
- Completely water sealed and IP68 compliant.
- Easy Installation – Surface mount with small 1/2' through-hull hole and simple 2-wire hook up.
- No external controller boxes required.
- Constructed of marine grade anodized aluminum and heat tempered glass.
- Over 2,000+ hour of rigorous ASTM-B-117 Salt Spray Chamber testing.
- Proudly designed and manufactured in the USA.
- 3 Year warranty on all Lumitec products.

## SeaBlaze Mini LED Underwater Light

The compact SeaBlaze Mini packs the greatest value punch in LED underwater lighting! Leveraging many of the technologies utilized in the world's most popular underwater light, the SeaBlaze3, ensuring years of trouble free service. With an actual measured output of nearly 900 lumens, there is simply no better value in LED underwater lighting. Perfect for smaller trailer boats, skiffs, or dinghies.

### Product Details:

SKU	COLOR OUTPUT	CRI*	CCT*	VOLTAGE	12VDC	24VDC	LUMENS†
101245	White Non-Dimming	70+	6500	10-30vDC	990mA	450mA	890
101246	Blue Non-Dimming	70+	6500	10-30vDC	990mA	450mA	N/A

\* Lumens, CRI & CCT applies only to white light.

† Integrating sphere measured lumens within 1 minute of initial startup

#### Features:



Timed Toggle Protocol



Third Party Dimmer



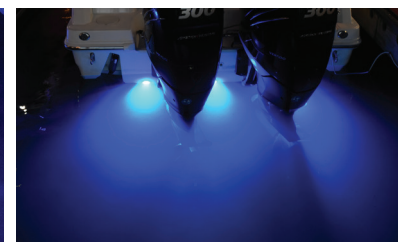
2-Wire Hookup



Dry Operation



3 Year Warranty



#### Certifications:



IP Rated



European Conformity



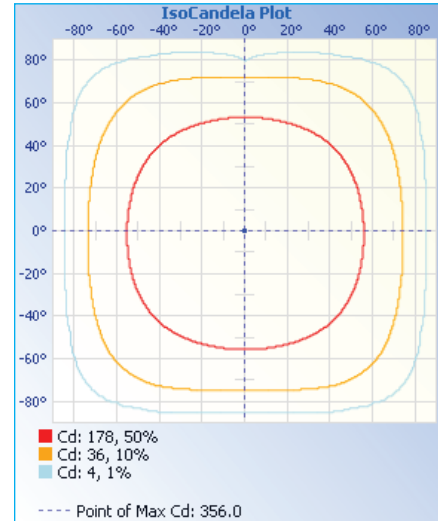
**Beam Pattern:** **SeaBlaze Mini- LED Underwater Light**

**SeaBlaze Mini - Flood Pattern**

	Illuminance at a Distance		
	Center Beam fc	Beam Width	
4.3ft	19.3 fc	12.1 ft	12.6 ft
8.7ft	4.70 fc	24.4 ft	25.4 ft
13.0ft	2.11 fc	36.4 ft	38.0 ft
17.3ft	1.19 fc	48.5 ft	50.5 ft
21.7ft	0.76 fc	60.8 ft	63.4 ft
26.0ft	0.53 fc	72.9 ft	75.9 ft

■ Vert. Spread: 109.0°  
■ Horiz. Spread: 111.2°

Illuminance at distance



Iso Candela Plot

**Dimensions:**

- Diameter: 2.98in (10cm)
- Depth: 0.58in (1.48cm)
- Mounting Hole: 0.25 in (0.635cm)

