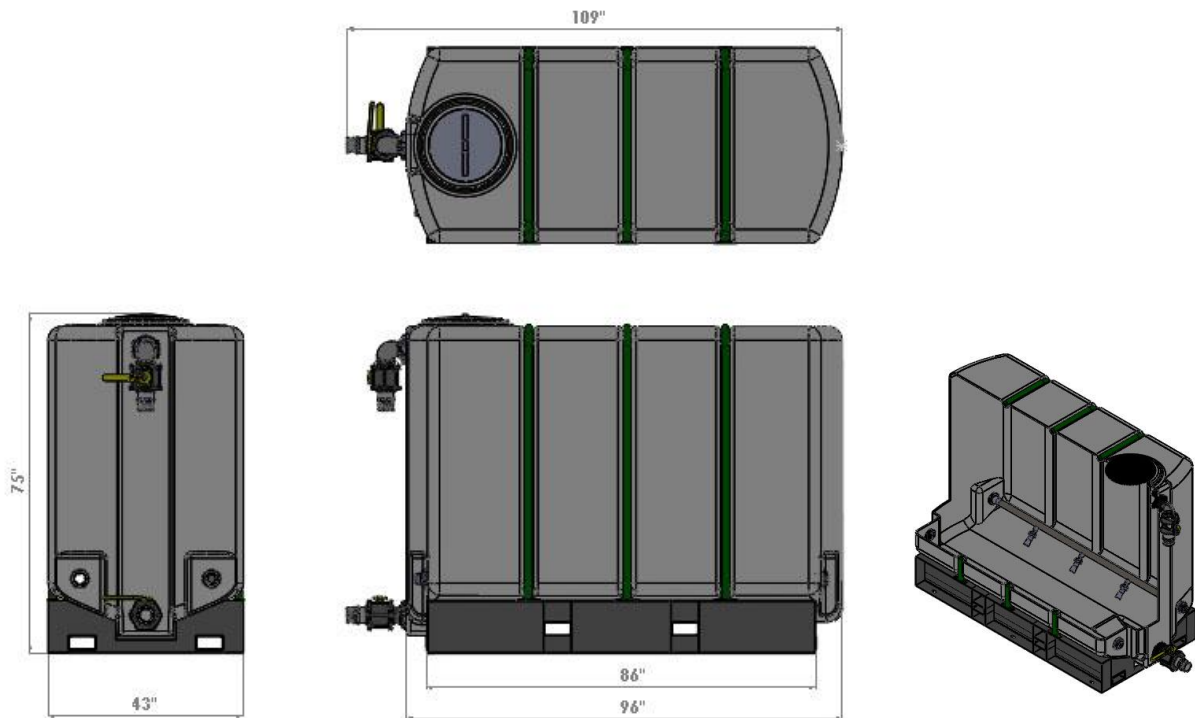


1,000 Gallon Storage Tank

PRODUCT DETAILS

1,000-gallon (3,785 L) rectangular tank designed mainly for use with HDD rigs. Tank have a three jet guns and sloping bottom.



Specifications

Model	RB1000
Volume	1000 gallon /3,785 L 2 x 3" shutoff valves for supply and discharge line 1 x 2" male camlock for mix circuit line
Dimensions	43" W x 109" L x 75"H

ROUGHNECK Manufacturing Inc.

14-52510, R.R.#263A, Acheson, Alberta. Tel: (780)-960-9365. Fax: (780)-960-7398