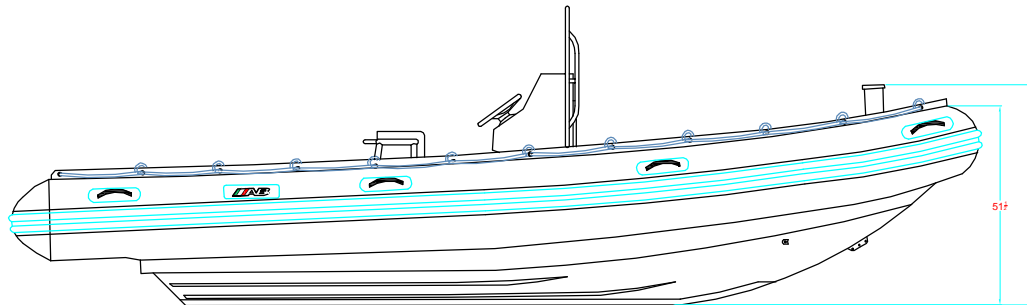
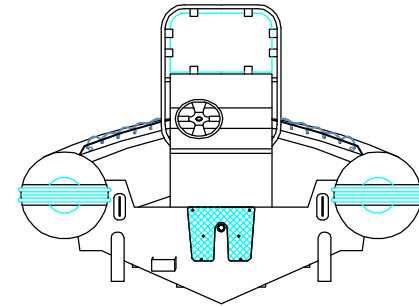


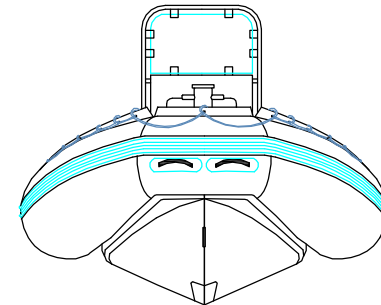
PLANT VIEW  
VISTA SUPERIOR



LONGITUDINAL PROFILE  
VISTA LATERAL



AFT VIEW  
VISTA TRASERA




FORE VIEW  
VISTA FRONTAL

**MAIN PARTICULARS**

MAXIMUM LENGHT/ESLORA MAX. \_\_\_\_\_ 21' (6.4m)  
 MAXIMUM BEAM/MANGA MAX. \_\_\_\_\_ 9' 1" (2.77m)

NOTES: 1.-ALL DIMENSIONS IN INCHES  
 TODAS LAS MEDIDAS ESTAN DADAS EN PULGADAS

SUBJECTED: <b>ALEXANDER BARRIOS</b> APPROVED: <b>HERMES GARCIA</b>		TITLE: <b>"PROFILE A 21"</b> <b>GENERAL ARRANGEMENT</b> <b>ARREGLO GENERAL</b>				 DATE <b>07.01.16</b> DRAWN <b>HECTOR SUAREZ</b> DATE _____ APPROVED: _____	
		SCALE:	SHEET: <b>1/1</b>	CODE:	PLAN:		